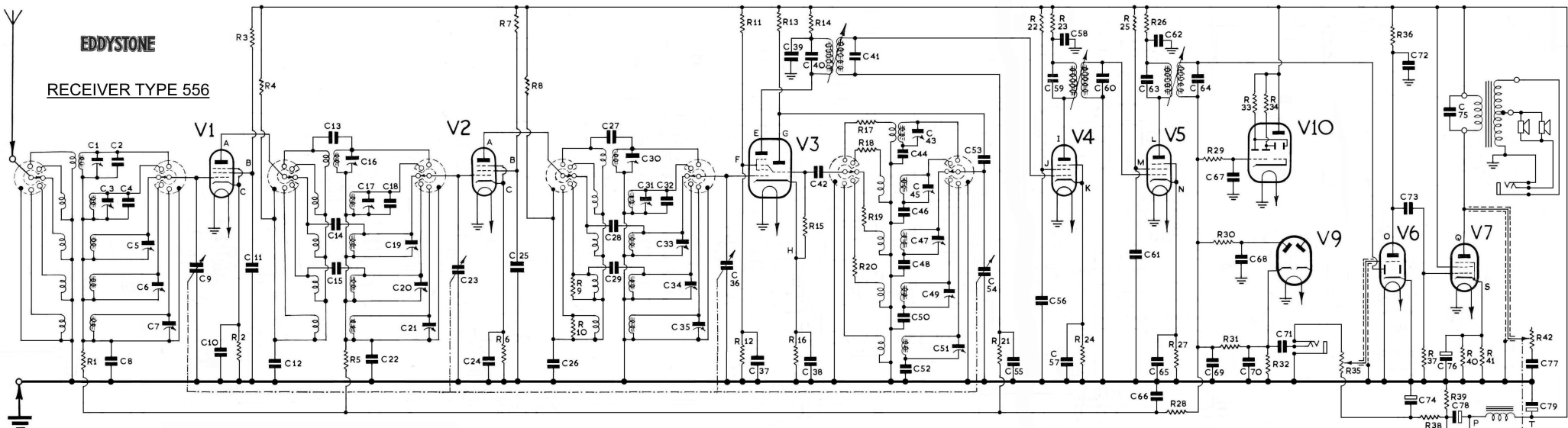


EDDYSTONE

RECEIVER TYPE 556



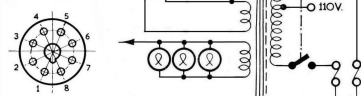
C1 3-20 pfd.	Trimmer Air.	C31 3-20 pfd.	Trimmer Air.	C61 0-1 mfd.	Tub. Paper.	R1 .47 or .5 megohm	Watt.	R26 4700 or 5000 ohms	Watt.
C2 10 pfd.	Ceramic.	C32 10 pfd.	Ceramic.	C62 0-1 mfd.	Tub. Paper.	R2 330 or 300 ohms.	"	R27 330 or 300 ohms.	"
C3 3-20 pfd.	Trimmer Air.	C33 3-20 pfd.	Trimmer Air.	C63 510 pfd.	Ceramic.	R3 0-1 megohm.	"	R28 .47 or .5 megohm	"
C4 10 pfd.	Ceramic.	C34 3-20 pfd.	Trimmer Air.	C64 510 pfd.	Ceramic.	R4 1,000 ohms.	"	R29 .47 or .5 megohm	"
C5 3-20 pfd.	Trimmer Air.	C35 3-20 pfd.	Trimmer Air.	C65 0-1 mfd.	Tub. Paper.	R5 .47 or .5 megohm	"	R30 .47 or .5 megohm	"
C6 3-20 pfd.	Trimmer Air.	C36 12.5-212.5 pfd.	Four Section Gang.	C66 -.01 mfd.	Tub. Paper.	R6 330 or 300 ohms.	"	R31 0-1 megohm.	"
C7 3-20 pfd.	Trimmer Air.	C37 0-1 mfd.	Tub. Paper.	C67 0-1 mfd.	Tub. Paper.	R7 0-1 megohm.	"	R32 .27 or .25 megohm.	"
C8 -.01 mfd.	Tub. Paper.	C38 0-1 mfd.	Tub. Paper.	C68 0-1 mfd.	Tub. Paper.	R8 1,000 ohms.	"	R33 1 megohm.	"
C9 12.5-212.5 pfd.	Four Section Gang.	C39 0-1 mfd.	Tub. Paper.	C69 100 pfd.	Ceramic.	R9 1,000 ohms.	"	R34 1 megohm.	"
C10 0-1 mfd.	Tub. Paper.	C40 510 pfd.	Ceramic.	C70 100 pfd.	Ceramic.	R10 47 or 50 ohms.	"	R35 .5 megohm Pot. 3136P.	"
C11 0-1 mfd.	Tub. Paper.	C41 510 pfd.	Ceramic.	C71 -.01 mfd.	Tub. Paper.	R11 22,000 or 20,000 ohms.	1 Watt	R36 0-1 megohm.	"
C12 0-1 mfd.	Tub. Paper.	C42 100 pfd.	Ceramic.	C72 .0005 mfd.	Moulded Mica.	R12 27,000 or 30,000 ohms.	"	R37 .27 or .25 megohm.	"
C13 20 pfd.	Ceramic.	C43 3.5-20 pf.	Trimmer Ceramic.	C73 -.01 mfd.	Moulded Mica.	R13 27,000 or 30,000 ohms.	"	R38 .27 or .25 megohm.	"
C14 3 pfd.	Ceramic.	C44 3000 pfd.	Trimmer Mica.	C74 25 mfd. 25v.	Tub. Paper.	R14 4,700 or 5,000 ohms	"	R39 25 ohm. Wire Wound (D940)	"
C15 3 pfd.	Ceramic.	C45 3.5-20 pf.	Trimmer Ceramic.	C75 .0005 mfd.	Moulded Mica.	R15 47,000 or 50,000 ohms.	"	R40 560 or 500 ohms.	"
C16 3-20 pfd.	Trimmer Air.	C46 2000 pfd.	Silvered Mica.	C76 25 mfd. 25v.	Tub. nic.	R16 330 or 300 ohms.	"	R41 560 or 500 ohms.	"
C17 3-20 pfd.	Trimmer Air.	C47 3.5-20 pf.	Trimmer Ceramic.	C77 0-1 mfd.	Tub. Paper.	R17 12 ohm.	"	R42 50,000 ohm. Pos. with switch 3137P.	"
C18 10 pfd.	Ceramic.	C48 1425 pfd.	Silvered Mica.	C78 8 mfd.	Tub. Electrolytic.	R18 47 or 50 ohms.	"		
C19 3-20 pfd.	Trimmer Air.	C49 3.5-20 pf.	Trimmer Ceramic.	C79 16 mfd.	Tub. Electrolytic.	R19 200 ohms.	"		
C20 3-20 pfd.	Trimmer Air.	C50 640 pfd.	Silvered Mica.			R20 560 or 500 ohms.	"		
C21 3-20 pfd.	Trimmer Air.	C51 3.5-20 pf.	Trimmer Ceramic.			R21 .47 or .5 megohm	"		
C22 -.01 mfd.	Tub. Paper.	C52 315 pfd.	Silvered Mica.			R22 0-1 megohm.	"		
C23 12.5-212.5 pfd.	Four Section Gang.	C53 100 pfd.	Ceramic.			R23 4,700 or 5,000 ohms	"		
C24 0-1 mfd.	Tub. Paper.	C54 12.5-212.5 pfd.	Four Section Gang.			R24 560 or 500 ohms.	"		
C25 0-1 mfd.	Tub. Paper.	C55 -.01 mfd.	Tub. Paper.			R25 0-1 megohm.	"		
C26 0-1 mfd.	Tub. Paper.	C56 0-1 mfd.	Tub. Paper.						
C27 20 pfd.	Ceramic.	C57 0-1 mfd.	Tub. Paper.						
C28 3 pfd.	Ceramic.	C58 0-1 mfd.	Tub. Paper.						
C29 3 pfd.	Ceramic.	C59 510 pfd.	Ceramic.						
C30 3-20 pfd.	Trimmer Air.	C60 510 pfd.	Ceramic.						

Resistance of A.F. Choke ... 500 ohms.
Resistance of Output Transformer Primary ... 400 ohms.

VOLTAGE VALUES.

Voltagess are between the point indicated and chassis. The receiver was set at 14 Mc., on range I with the aerial shorted out. A.F. gain control at maximum and tone control fully clockwise. Two sets of values were taken, using different meters as shown. It will be evident that the actual voltage indicated depends on the particular meter employed. A tolerance of plus or minus 5% should be allowed on the figures given.

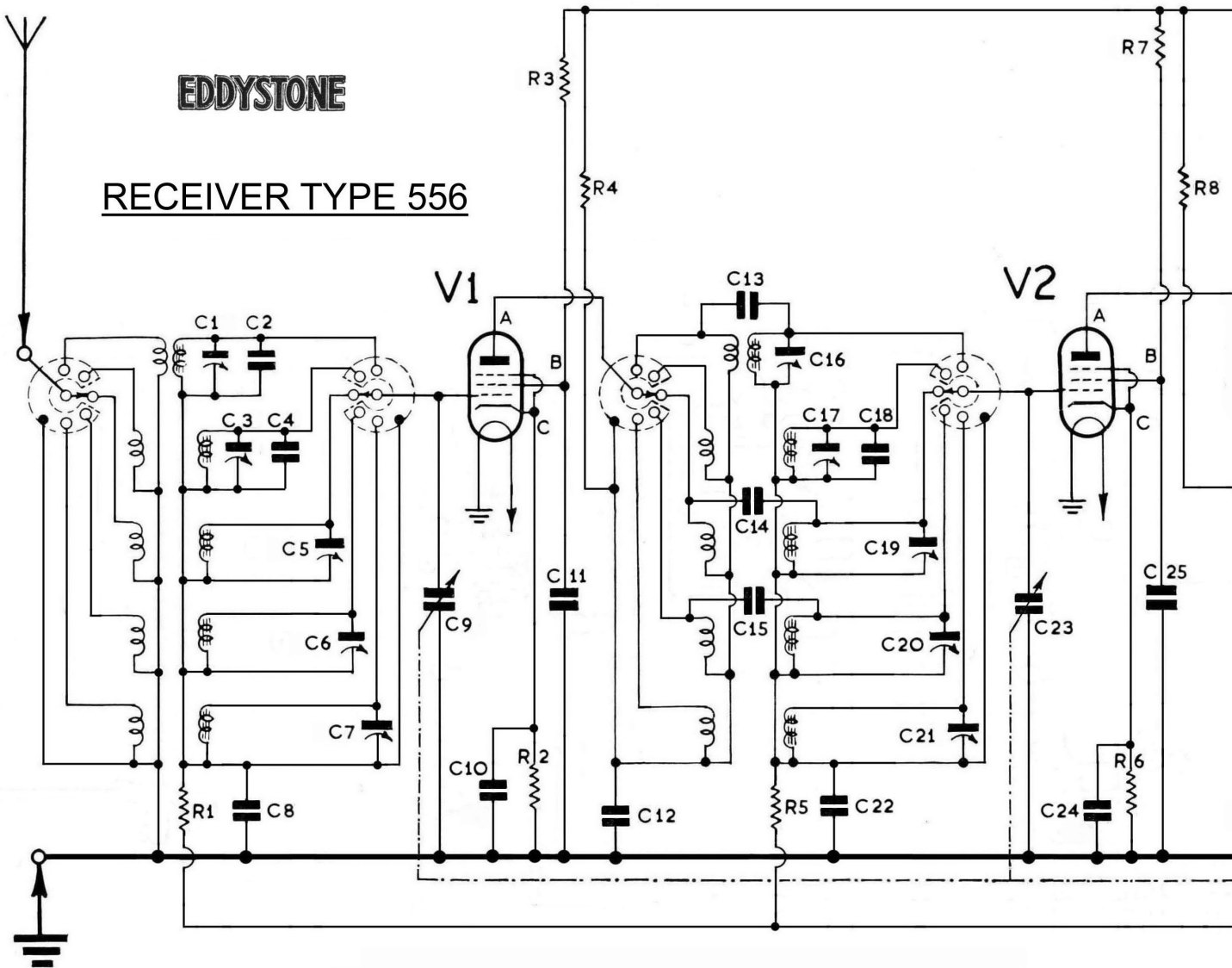
Circuit Ref.	WESTON		AVO	
	1000 ohms/volt.	Model 40.	80	Model 40.
A	180	180	180	180
B	65	25	65	25
C	1-3	0.6	1-3	0.6
D	170	160	170	160
E	80	70	80	70
F	65	60	65	60
G	2-5	2-5	2-5	2-5
H	165	160	165	160
I	65	60	65	60
J	2-25	2-25	2-25	2-25
K	152	152	152	152
L	60	48	60	48
M	2-2	2-0	2-2	2-0
N	50	40	50	40
O	220	220	220	220
P	185	185	185	185
Q	1-45	1-7	1-45	1-7
R	9-5	8-7	9-5	8-7
S	185	185	185	185



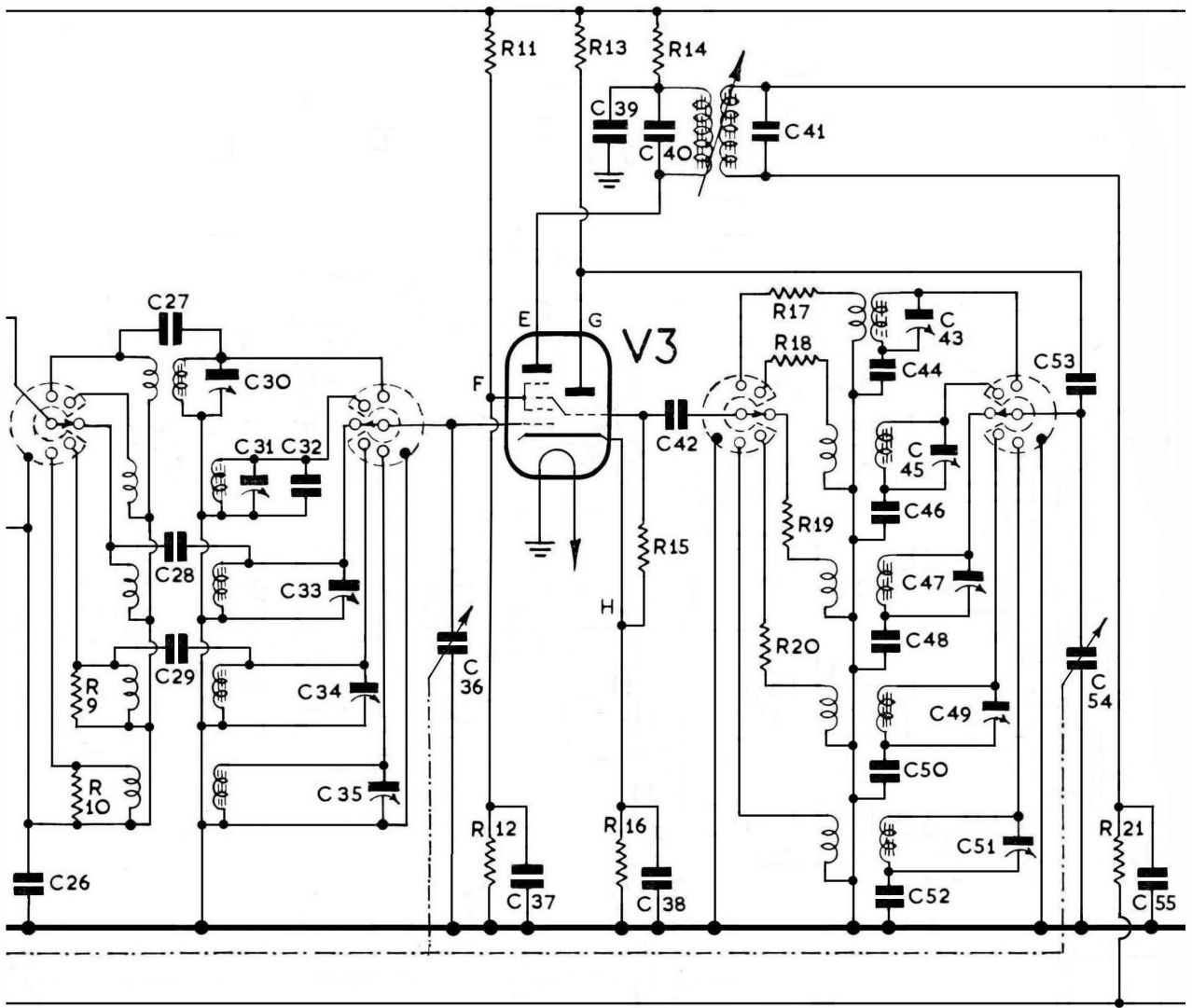
VALVE	1	2	3	4	5	6	7	8	TOP CAP
EF 39	M	H	A	G2	G3	-	H	K	G1
ECH 35	M	H	A	G2	GT	AT	H	K	G1
EBC 33	M	H	A	D1	D2	-	H	K	G1
6V6 GT	M	H	A	G2	G1	-	H	K	-
5Z4	-	H	A2	-	A1	-	-	-	-
EB 34	M	H	AI	K1	D	-	H	K	-
EM 34	-	H	A1	G	S	A2	H	K	-

EDDYSTONE

RECEIVER TYPE 556



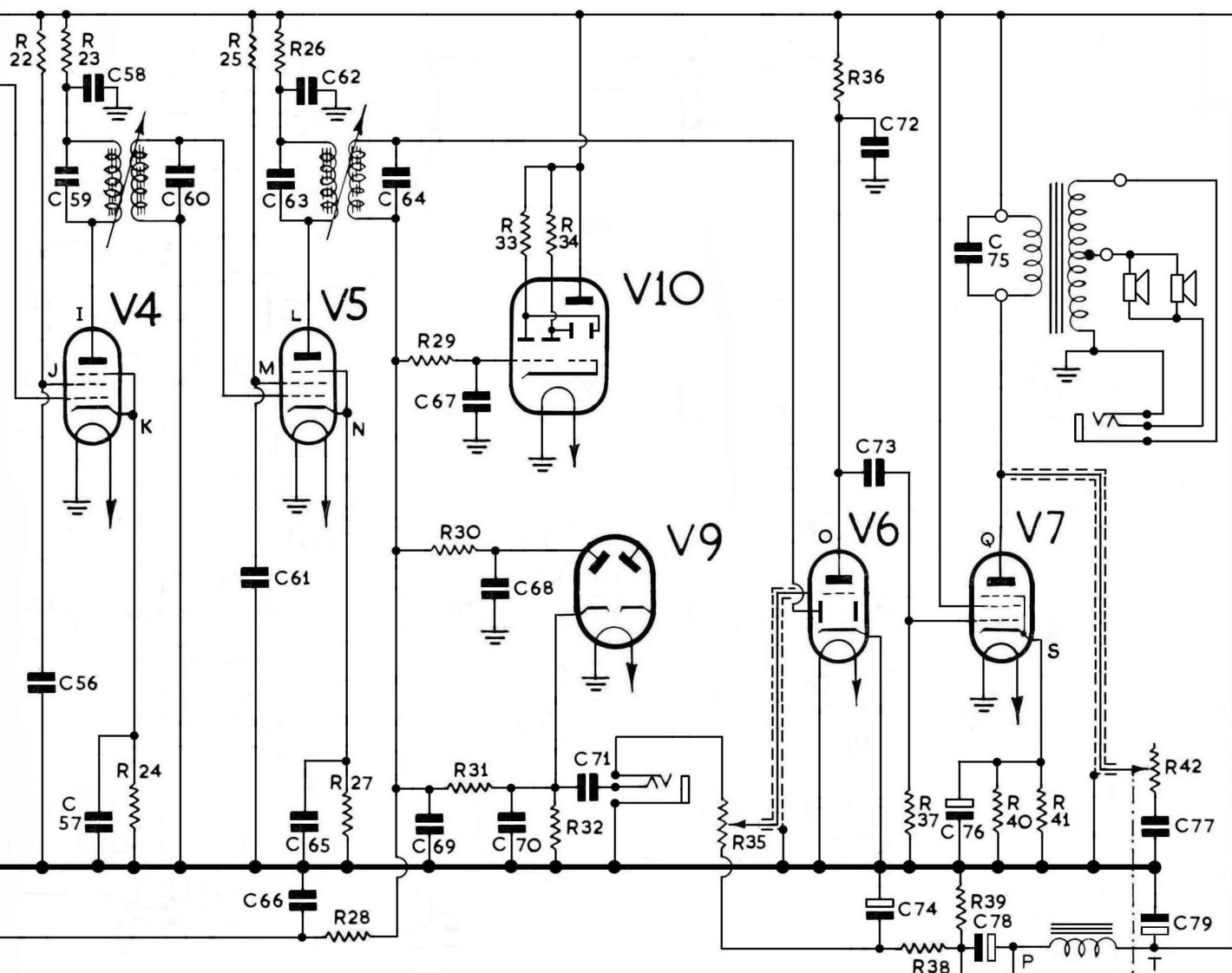
C1	3—20 pfd.	Trimmer Air.	C31	3—20 pfd.	Trimmer Air.	C61	0.1 mfd.	Tub. Paper.
C2	10 pfd.	Ceramic.	C32	10 pfd.	Ceramic.	C62	0.1 mfd.	Tub. Paper.
C3	3—20 pfd.	Trimmer Air.	C33	3—20 pfd.	Trimmer Air.	C63	510 pfd.	Ceramic.
C4	10 pfd.	Ceramic.	C34	3—20 pfd.	Trimmer Air.	C64	510 pfd.	Ceramic.
C5	3—20 pfd.	Trimmer Air.	C35	3—20 pfd.	Trimmer Air.	C65	0.1 mfd.	Tub. Paper.
C6	3—20 pfd.	Trimmer Air.	C36	12.5—212.5 pfd.	Four Section Gang.	C66	.01 mfd.	Tub. Paper.
C7	3—20 pfd.	Trimmer Air.	C37	0.1 mfd.	Tub. Paper.	C67	.01 mfd.	Tub. Paper.
C8	.01 mfd.	Tub. Paper.	C38	0.1 mfd.	Tub. Paper.	C68	0.1 mfd.	Tub. Paper.
C9	12.5—212.5 pfd.	Four Section Gang.	C39	0.1 mfd.	Tub. Paper.	C69	100 pfd.	Ceramic.
C10	0.1 mfd.	Tub. Paper.	C40	510 pfd.	Ceramic.	C70	100 pfd.	Ceramic.
C11	0.1 mfd.	Tub. Paper.	C41	510 pfd.	Ceramic.	C71	.01 mfd.	Tub. Paper.
C12	0.1 mfd.	Tub. Paper.	C42	100 pfd.	Ceramic.	C72	.0005 mfd.	Moulded Mica.
C13	20 pfd.	Ceramic.	C43	3.5—20 pf.	Trimmer Ceramic.	C73	.01 mfd.	Moulded Mica.
C14	3 pfd.	Ceramic.	C44	3000 pfd.	Silvered Mica.	C74	25 mfd. 25v.	Tub.
C15	3 pfd.	Ceramic.	C45	3.5—20 pf.	Trimmer Ceramic.	C75	.0005 mfd.	Moulded Mica.
C16	3—20 pfd.	Trimmer Air.	C46	2000 pfd.	Silvered Mica.	C76	25 mfd. 25v.	Tub. nic.
C17	3—20 pfd.	Trimmer Air.	C47	3.5—20 pf.	Trimmer Ceramic.	C77	0.1 mfd.	Tub. Paper.
C18	10 pfd.	Ceramic.	C48	1425 pfd.	Silvered Mica.	C78	8 mfd.	Tub. Electrolytic.
C19	3—20 pfd.	Trimmer Air.	C49	3.5—20 pf.	Trimmer Ceramic.	C79	16 mfd.	Tub. Electrolytic.
C20	3—20 pfd.	Trimmer Air.	C50	640 pfd.	Silvered Mica.			
C21	3—20 pfd.	Trimmer Air.	C51	3.5—20 pf.	Trimmer Ceramic.			
C22	.01 mfd.	Tub. Paper.	C52	315 pfd.	Silvered Mica.			
C23	12.5—212.5 pfd.	Four Section Gang.	C53	100 pfd.	Ceramic.			
C24	0.1 mfd.	Tub. Paper.	C54	12.5—212.5 pfd.	Four Section Gang.			
C25	0.1 mfd.	Tub. Paper.	C55	.01 mfd.	Tub. Paper.			
C26	0.1 mfd.	Tub. Paper.	C56	0.1 mfd.	Tub. Paper.			
C27	20 pfd.	Ceramic.	C57	0.1 mfd.	Tub. Paper.			
C28	3 pfd.	Ceramic.	C58	0.1 mfd.	Tub. Paper.			
C29	3 pfd.	Ceramic.	C59	510 pfd.	Ceramic.			
C30	3—20 pfd.	Trimmer Air.	C60	510 pfd.	Ceramic.			



R1	.47 or .5 megohm	$\frac{1}{2}$ Watt.	R26	4,700 or 5,000 ohms	$\frac{1}{2}$ Watt.
R2	330 or 300 ohms.	"	R27	330 or 300 ohms.	"
R3	0.1 megohm.	"	R28	.47 or .5 megohm	"
R4	1,000 ohms.	"	R29	.47 or .5 megohm	"
R5	.47 or .5 megohm	"	R30	.47 or .5 megohm	"
R6	330 or 300 ohms.	"	R31	0.1 megohm.	"
R7	0.1 megohm.	"	R32	.27 or .25 megohm.	"
R8	1,000 ohms.	"	R33	1 megohm.	"
R9	1,000 ohms.	"	R34	1 megohm.	"
R10	47 or 50 ohms.	"	R35	.5 megohm Pot. 3136P.	—
R11	22,000 or 20,000 ohms.	1 Watt	R36	0.1 megohm.	"
R12	27,000 or 30,000 ohms.	"	R37	.27 or .25 megohm.	"
R13	27,000 or 30,000 ohms.	"	R38	.27 or .25 megohm.	"
R14	4,700 or 5,000 ohms	"	R39	25 ohm. Wire Wound (D940)	—
R15	47,000 or 50,000 ohms.	"	R40	560 or 500 ohms.	"
R16	330 or 300 ohms.	"	R41	560 or 500 ohms.	"
R17	12 ohm.	"	R42	50,000 ohm. Pot. with switch 3137P.	—
R18	47 or 50 ohms.	"			
R19	200 ohms.	"			
R20	560 or 500 ohms.	"			
R21	.47 or .5 megohm	"			
R22	0.1 megohm.	"			
R23	4,700 or 5,000 ohms	"			
R24	560 or 500 ohms.	"			
R25	0.1 megohm.	"			

Resistance of A.F. Choke ... 500 ohms.

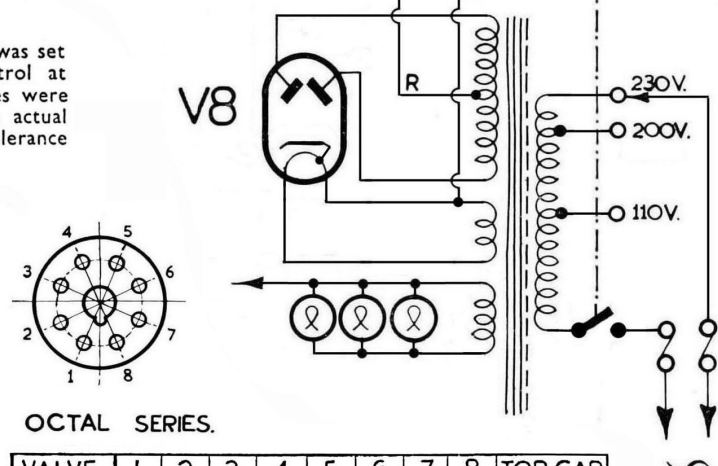
Resistance of Output Transformer Primary ... 400 ohms.



VOLTAGE VALUES.

Voltages are between the point indicated and chassis. The receiver was set at 14 Mc/s on range I with the aerial shorted out. A.F. gain control at maximum and tone control fully clockwise. Two sets of values were taken, using different meters as shown. It will be evident that the actual voltage indicated depends on the particular meter employed. A tolerance of plus or minus 5% should be allowed on the figures given.

Circuit Ref.	VOLTS.	
	Weston 1000 ohms/volt.	Avo Model 40.
A	180	180
B	65	25
C	1.3	0.6
D	.	.
E	170	160
F	80	70
G	65	60
H	2.5	2.5
I	165	160
J	65	60
K	2.25	2.25
L	160	152
M	60	48
N	2.2	2.0
O	50	40
P	220	220
Q	185	185
R	1.65	1.7
S	9.5	8.7
T	185	185



OCTAL SERIES.

VALVE	1	2	3	4	5	6	7	8	TOP CAP
EF 39	M	H	A	G2	G3	—	H	K	G1
ECH 35	M	H	A	G2 G4	GT G3	AT	H	K	G1
EBC 33	M	H	A	D1	D2	—	H	K	G1
6V6GT	—	H	A	G2	G1	—	H	K	—
5Z4	—	H	—	A2	—	A1	—	K H	—
EB 34	M	H	D1	K1	D	—	H	K	—
EM 34	—	H	A1	G	S	A2	H	K	—