

Downloaded by  
RadioAmateur.EU

The ICOM logo features a stylized lowercase 'i' with a small circle above it, followed by the uppercase letters 'COM' in a bold, sans-serif font.

# SERVICE MANUAL

HF/50 MHz TRANSCEIVER

**IC-736**

HF TRANSCEIVER

**IC-738**

---

---

---

---

---

Icom Inc.



## TABLE OF CONTENTS

<b>SECTION</b>	<b>1</b>	<b>SPECIFICATIONS</b> .....	<b>1 - 1</b>
<b>SECTION</b>	<b>2</b>	<b>DISASSEMBLY INSTRUCTIONS</b> .....	<b>2 - 1</b>
<b>SECTION</b>	<b>3</b>	<b>INSIDE VIEWS</b> .....	<b>3 - 1 ~ 2</b>
<b>SECTION</b>	<b>4</b>	<b>CIRCUIT DESCRIPTION</b> .....	<b>4 - 1 ~ 13</b>
	4 - 1	RECEIVER CIRCUITS .....	4 - 1
	4 - 2	TRANSMITTER CIRCUITS .....	4 - 5
	4 - 3	PLL CIRCUITS .....	4 - 9
	4 - 4	LOGIC CIRCUITS .....	4 - 10
	4 - 5	REGULATOR CIRCUITS .....	4 - 12
	4 - 6	ANTENNA TUNER CIRCUITS .....	4 - 12
<b>SECTION</b>	<b>5</b>	<b>ADJUSTMENT PROCEDURES</b> .....	<b>5 - 1 ~ 13</b>
	5 - 1	PREPARATION BEFORE SERVICING .....	5 - 1
	5 - 2	PLL ADJUSTMENT .....	5 - 2
	5 - 3	FREQUENCY ADJUSTMENT .....	5 - 4
	5 - 4	RECEIVER ADJUSTMENT .....	5 - 6
	5 - 5	TRANSMITTER ADJUSTMENT .....	5 - 8
<b>SECTION</b>	<b>6</b>	<b>PARTS LIST</b> .....	<b>6 - 1 ~ 24</b>
<b>SECTION</b>	<b>7</b>	<b>MECHANICAL PARTS AND DISASSEMBLY</b> .....	<b>7 - 1 ~ 5</b>
	7 - 1	CABINET PARTS .....	7 - 1
	7 - 2	CHASSIS PARTS .....	7 - 4
	7 - 3	ACCESSORIES .....	7 - 5
<b>SECTION</b>	<b>8</b>	<b>SEMI-CONDUCTOR INFORMATIONS</b> .....	<b>8 - 1 ~ 2</b>
<b>SECTION</b>	<b>9</b>	<b>BOARD LAYOUTS</b> .....	<b>9 - 1 ~ 8</b>
	9 - 1	SW UNIT .....	9 - 1
	9 - 2	LOGIC UNIT .....	9 - 2 ~ 3
	9 - 3	MAIN UNIT .....	9 - 4
	9 - 4	PLL UNIT .....	9 - 5
	9 - 5	PA UNIT .....	9 - 6
	9 - 6	REG UNIT, FILTER UNIT AND TUNER UNIT .....	9 - 7
	9 - 7	CTRL UNIT .....	9 - 8
<b>SECTION</b>	<b>10</b>	<b>VOLTAGE DIAGRAMS</b> .....	<b>10 - 1 ~ 5</b>
<b>SECTION</b>	<b>11</b>	<b>BLOCK DIAGRAMS</b> .....	<b>11 ~ 1</b>

To upgrade quality, all electrical or mechanical parts and internal circuits are subject to change without notice or obligation.



# SECTION 1 SPECIFICATIONS

## ■ GENERAL

- Frequency coverage:
  - Receive 500 kHz – 29.995 MHz
  - 50 MHz – 54 MHz (IC-736 only)
  - Transmit\*
    - 1.800 – 1.999999 MHz
    - 3.500 – 4.000 MHz
    - 7.000 – 7.300 MHz
    - 10.100 – 10.150 MHz
    - 14.000 – 14.350 MHz
    - 18.068 – 18.168 MHz
    - 21.000 – 21.450 MHz
    - 24.890 – 24.990 MHz
    - 28.000 – 29.700 MHz
    - 50.000 – 54.000 MHz (IC-736 only)
- Mode : SSB, CW, AM, FM
- Number of memory : 101 channels (89 regular, 10 split, 2 scan edges)
- Antenna impedance : 50 Ω nominal
- Usable temperature : – 10 °C to + 60 °C ; range + 14 °F to + 140 °F
- Frequency stability : Less than ± 200 Hz from 1 min. to 60 min. after power ON. After that, rate of stability change is less than ± 30 Hz/hr. at + 25 °C ; + 77 °F. Temperature fluctuations (0 °C to + 50 °C ; + 32 °F to + 122 °F ) less than ± 350 Hz.
- Power supply requirement:
  - IC-736 120 V type 85 – 135 V AC
  - 230 V type 187 – 265 V AC
  - IC-738 13.8 V DC ± 15% (20 A)
- Power consumption (IC-736):
  - Transmit max. power 500 VA
  - Receive squelched 75 VA
  - max. audio output 80 VA
- Current drain (IC-738; at 13.8 V DC):
  - Transmit max. power 20.0 A
  - Receive squelched 1.6 A
  - max. audio output 2.1 A
- Dimensions : 330(W) × 111(H) × 285(D) mm  
13.0(W) × 4.4(H) × 11.2(D) in (projections not included)
- Weight :
  - IC-736 10.5 kg; 23.1 lb
  - IC-738 8.6 kg; 19.0 lb

## ■ TRANSMITTER

- Output power : SSB, CW, FM 5 – 100 W  
AM 4 – 40 W (continuously adjustable)
- Spurious emissions : Less than – 50 dB (HF bands)  
Less than – 60 dB (50 MHz band of the IC-736 only)
- Carrier suppression : More than 40 dB
- Unwanted sideband : More than 50 dB
- Microphone : 600 Ω impedance

## ■ RECEIVER

- Receive system : Triple-conversion superheterodyne
- Intermediate frequencies:

MODE	1st	2nd	3rd
SSB, FM	69.0115 MHz	9.0115 MHz	455 kHz
CW	69.0106 MHz	9.0106 MHz	455 kHz
AM	69.0100 MHz	9.0100 MHz	455 kHz

- Sensitivity (Pre-amp ON):
  - SSB, CW 1.8 – 29.995 MHz Less than 0.15 μV (10 dB S/N) 50 – 54 MHz (IC-736 only) Less than 0.13 μV
  - FM (12 dB SINAD) 28 – 29.7 MHz Less than 0.5 μV 50 – 54 MHz (IC-736 only) Less than 0.3 μV
  - AM (10 dB S/N) 0.5 – 1.8 MHz Less than 13.0 μV 1.8 – 29.995 MHz Less than 2.0 μV 50 – 54 MHz (IC-736 only) Less than 1.6 μV
- Squelch sensitivity (Pre-amp ON):
  - SSB Less than 5.6 μV at threshold
  - FM Less than 0.3 μV at threshold
- Selectivity :
  - SSB, CW More than 2.1 kHz/–6 dB  
Less than 4.0 kHz/–60 dB
  - AM More than 6.0 kHz/–6 dB  
Less than 20.0 kHz/–40 dB
  - FM More than 12.0 kHz/–6 dB  
Less than 30.0 kHz/–50 dB
- Spurious and image : More than 70 dB rejection ratio (except "IF through" in the 50 MHz band of the IC-736)
- Audio output power : More than 2.6 W at 10% distortion with an 8 Ω load
- RIT/ΔTX : ± 9.999 kHz variable range

## ■ ANTENNA TUNER

- Matching impedance range:
  - HF band 16.7 – 150 Ω unbalanced (Less than VSWR 3:1)
  - 50 MHz band 20 – 125 Ω unbalanced (IC-736 only) (Less than VSWR 2.5:1)
- Min. operating : 8 W input power
- Tuning accuracy : VSWR 1.5:1 or less
- Insertion loss : Less than 1.0 dB (after tuning)

### \* Transmitter frequency coverage of the France version:

1.810 – 1.850 MHz	18.068 – 18.168 MHz
3.500 – 3.800 MHz	21.000 – 21.450 MHz
7.000 – 7.100 MHz	24.890 – 24.990 MHz
10.100 – 10.150 MHz	28.000 – 29.700 MHz
14.000 – 14.350 MHz	50.200 – 51.200 MHz (IC-736 only)

All stated specifications are subject to change without notice or obligation.



## SECTION 2 DISASSEMBLY INSTRUCTIONS

### ● To see the MAIN and PLL units

- ① Remove 10 screws (M3 x 8 ZK) from the transceiver's top and 4 screws (M3 x 8 ZK) from the sides, then lift up the top cover.
- ② Turn the transceiver upside down.
- ③ Remove 5 screws (M3 x 8 ZK) from the bottom cover, then lift up the bottom cover.

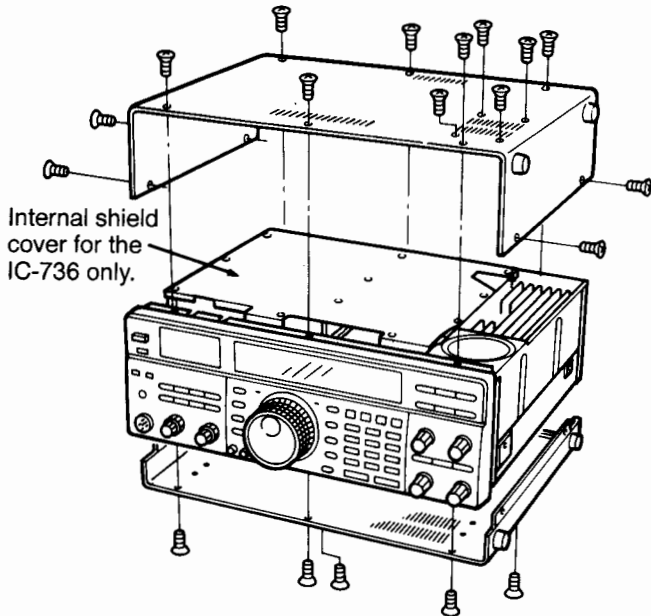


Fig. 1

### ● To see the FILTER and REG units (IC-736 only)

- ① Open the top and bottom covers as shown at Fig.1.
- ② Turn the transceiver upside up.
- ③ Remove 13 screws (3 x 6 NI) from the internal shield cover, then lift up the cover.
  - The PA unit is located under the Filter unit.

The IC-738 does not have an internal shield cover.

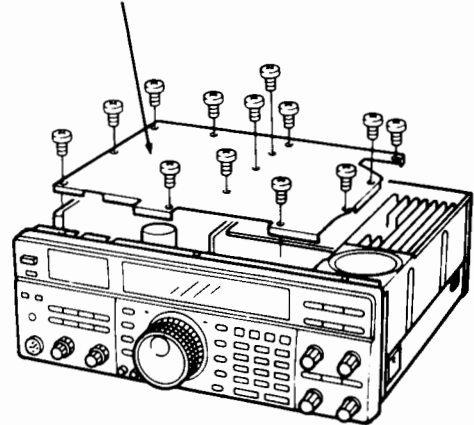


Fig. 2

### ● Removing the FILTER unit

- ① Remove the top cover. (Fig. 1)
- ② Remove the internal shield cover, (Fig. 2)
- ③ Remove the 8 screws (3 x 8 NI) and 2 antenna connectors (MR-DSE-01), then open the Filter unit as shown in Fig. 3.

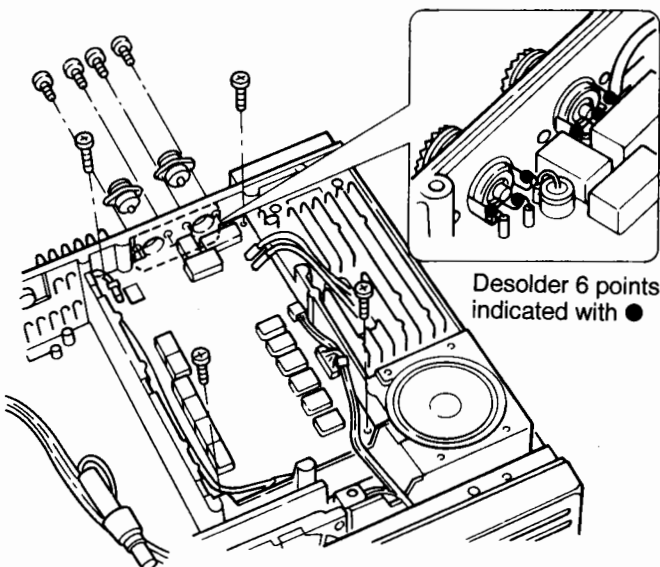


Fig. 3

### ● Removing the TUNER unit

- ① Remove the 5 screws (set screw 4 x 15), then lift down the TUNER unit from the bottom side.

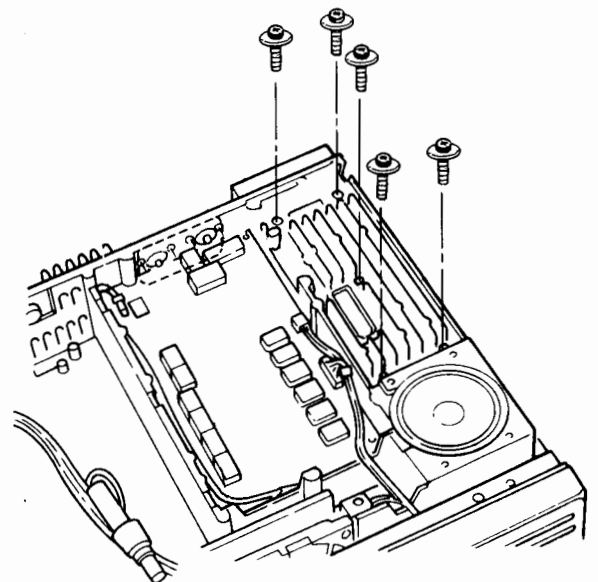
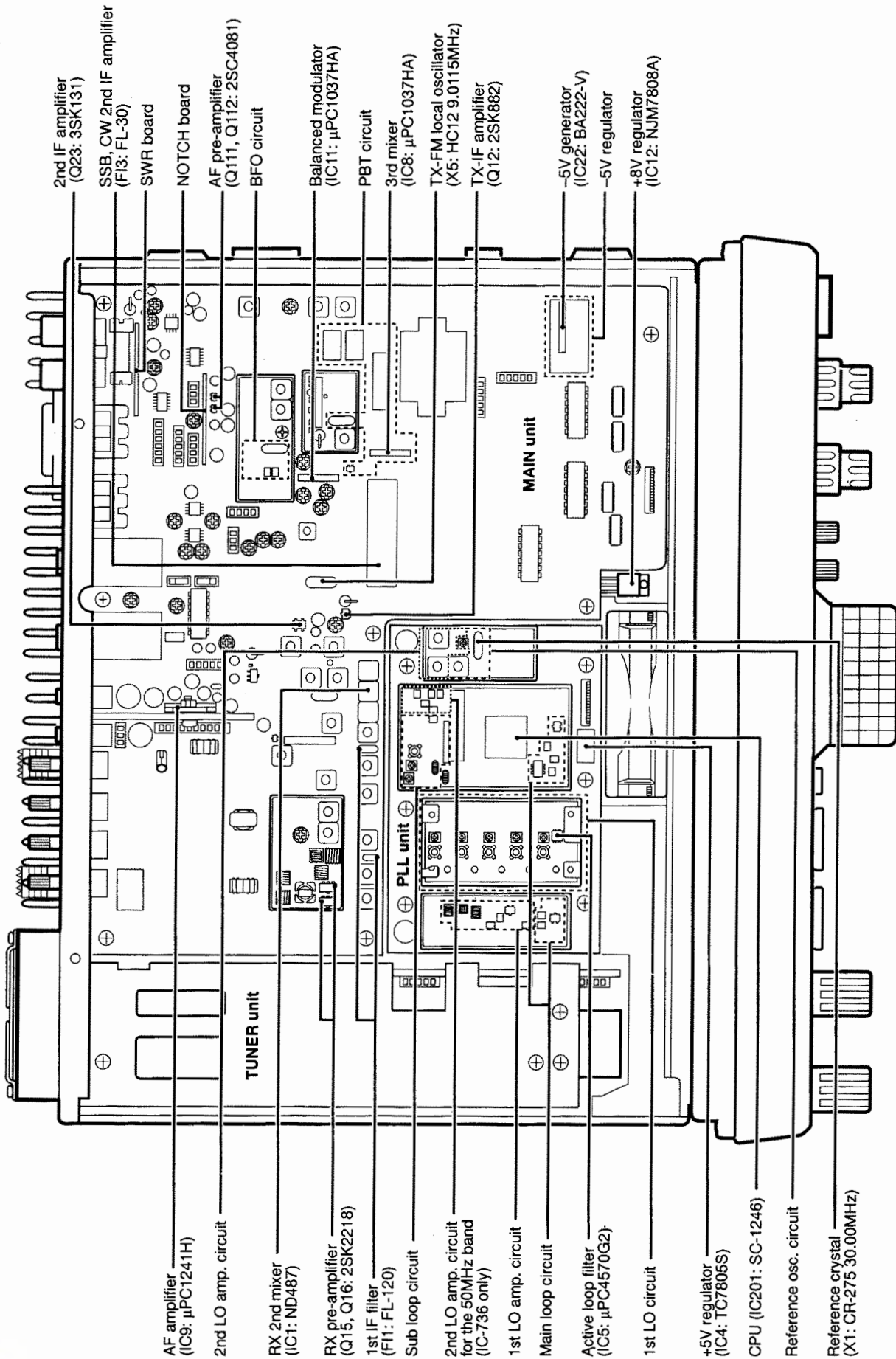


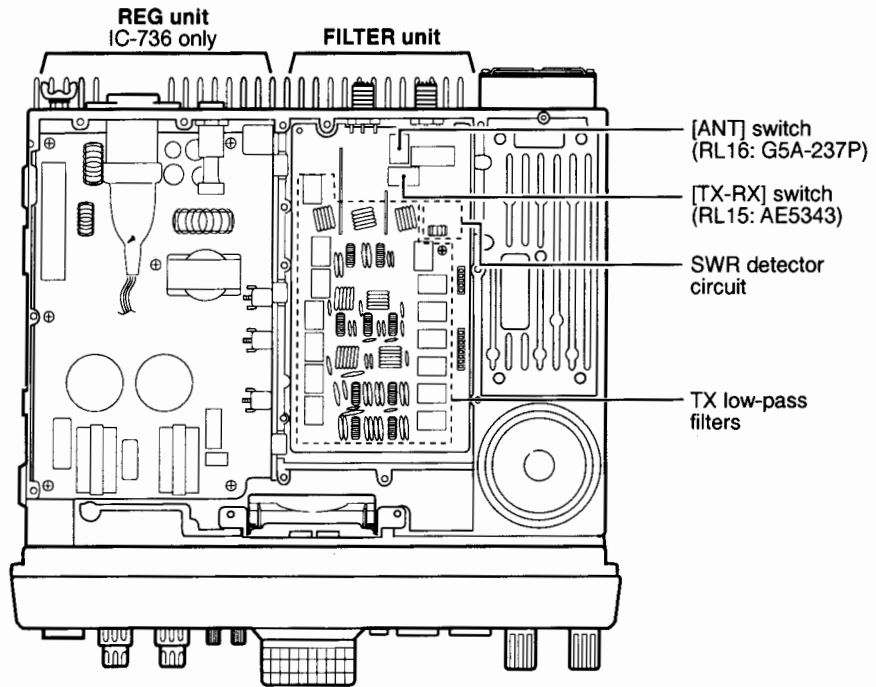
Fig. 4

# SECTION 3 INSIDE VIEWS

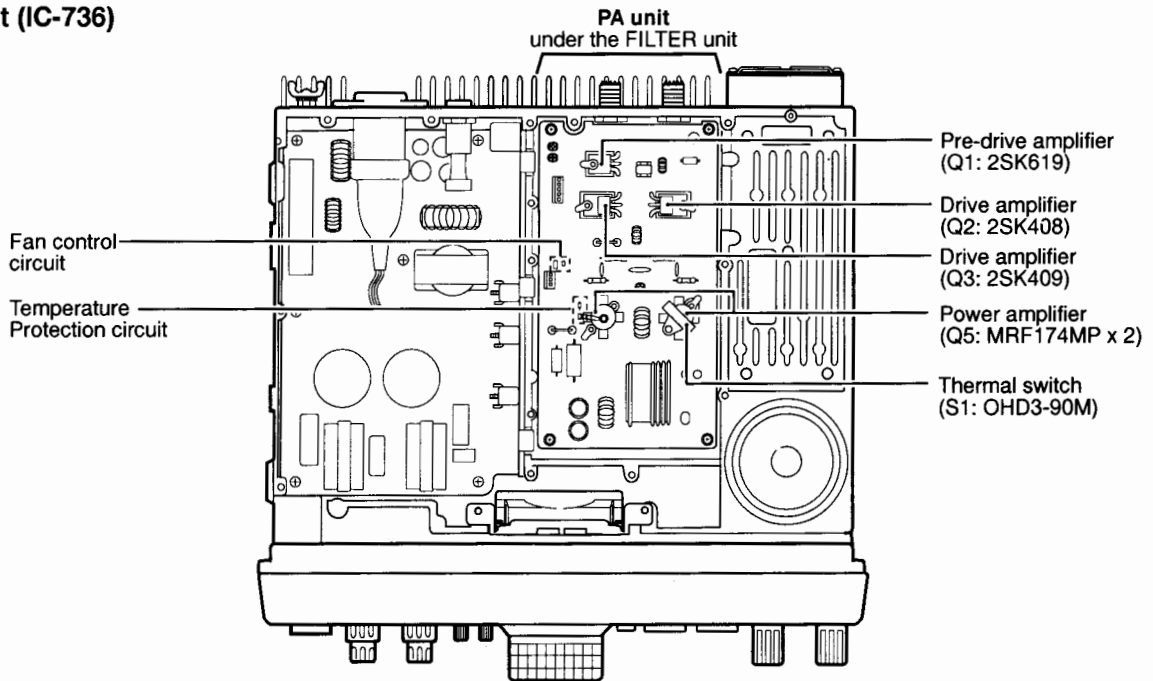
## • PLL AND MAIN unit



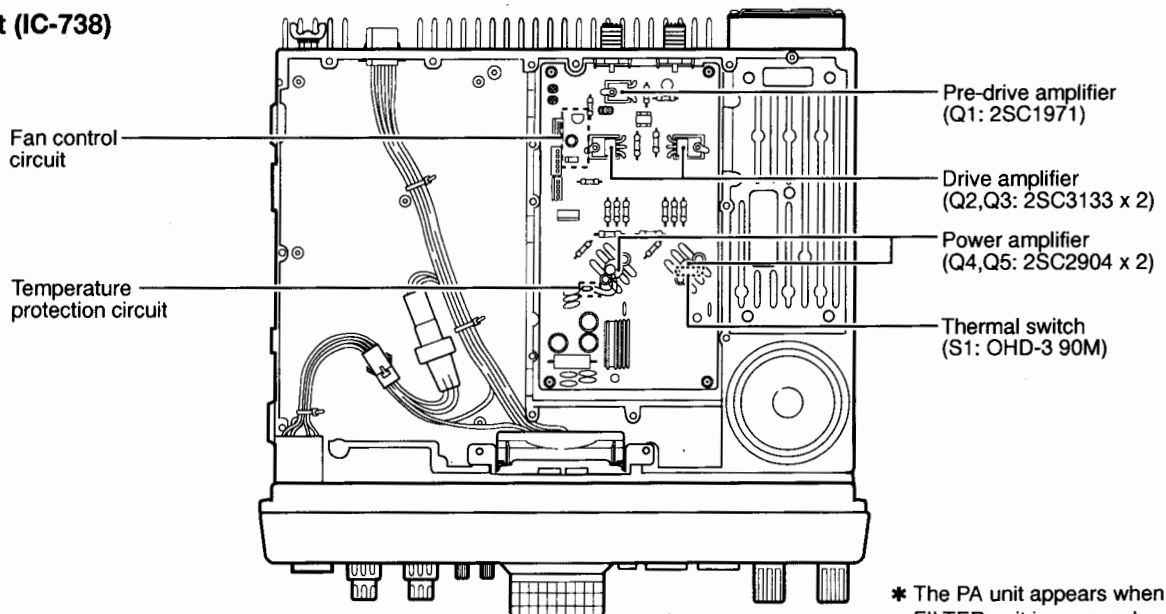
● REG AND FILTER units



● PA unit (IC-736)



● PA unit (IC-738)



\* The PA unit appears when the FILTER unit is removed.



# SECTION 4 CIRCUIT DESCRIPTION

## 4-1 RECEIVER CIRCUITS

### 4-1-1 RF SWITCHING CIRCUIT (FILTER AND MAIN UNITS)

The RF switching circuit leads receive signals to bandpass filters from an antenna connector while receiving. While transmitting, this circuit leads the signals from the RF power amplifier to the antenna connector. This circuit includes a 20 dB RF attenuator circuit to prevent distortion from very strong signals.

RF signals from an antenna connector, switched by the [ANT] switch, pass through the transmit/receive switching relay (RL15) and low-pass filter (L37, L38, C93–C96, C106), and are then applied to the MAIN unit via P3 (MAIN unit J12).

The signals from the FILTER unit are either bypassed or are applied at the 20 dB attenuator (R113, RL1). The attenuator prevents distortion caused by strong signals. The signals are then applied to RF filters.

### 4-1-2 RF BANDPASS FILTER CIRCUIT (MAIN UNIT)

RF bandpass filters pass only the desired band signals and suppress any undesired band signals. The RF circuit has 7 bandpass filters and 1 low-pass filter. The IC-736 additionally has the 50 MHz RF circuit (Q1, L1–L5).

#### (1) 0.5–1.6 MHz

There is no diode at the entrance of the low-pass filter (L46, L47, C67–C69) to prevent distortion caused by very strong signals. The filtered signals bypass the preamplifier through D8, D10 and are then applied to the 1st mixer circuit (Q20, Q21).

#### (2) 1.6–30.0 MHz

The signals pass through a high-pass filter (L48, L49, C63–C66) to suppress strong signals below 1.6 MHz. The filtered signals are applied to one of 7 bandpass filters depending on their frequencies, and are then applied to the preamplifier circuit.

#### (3) 50–54 MHz (IC-736 only)

The signals pass through a high-pass filter (L1, L2, C1–C4), RF amplifier (Q1) and low-pass filter (L3, L4, L5, C5–C8), and are then applied to the preamplifier circuit.

#### Used RF filter

Band	Control signal	Input diode	Band	Control signal	Input diode
0.5–1.6 MHz	B0	no	11–15 MHz	B5	D34(1/2)
1.6–2 MHz	B1	D30(1/2)	15–22 MHz	B6	D36(1/2)
2–4 MHz	B2	D32(1/2)	22–30 MHz	B7	D36(1/2)
4–8 MHz	B3	D32(1/2)	50–54 MHz (IC-736 only)	B8	D125 (1/2)
8–11 MHz	B4	D34(1/2)			

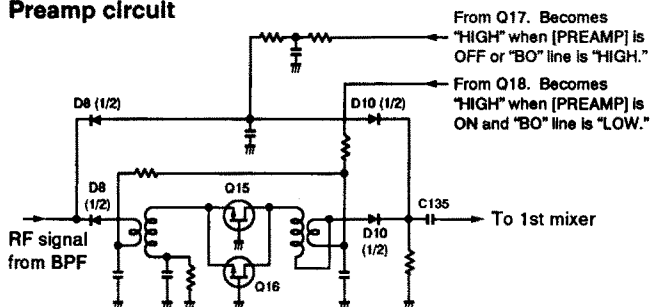
### 4-1-3 PREAMPLIFIER CIRCUIT (MAIN UNIT) (1.6 MHz and above)

The preamplifier circuit uses two 2SK2218s to obtain 10 dB gain over a wideband frequency range. When the [PREAMP] switch on the front panel is turned ON, the signals above 1.6 MHz are applied to the preamplifier circuit.

Q15 and Q16 are connected in parallel to easily match the impedance to 50 Ω. Q17–Q19 switch the signals from a bandpass filter, either to be bypassed, or to be applied to the preamplifier, depending on the [PREAMP] switch condition and operating band.

Amplified or bypassed signals are applied to the 1st mixer circuit (Q20, Q21).

#### Preamp circuit



### 4-1-4 1st MIXER CIRCUIT (MAIN UNIT)

The 1st mixer circuit mixes the receive signals with the 1st LO signal to convert the receive signal frequencies to a 69 MHz 1st IF.

The signals from the preamplifier circuit, or signals which bypass the preamplifier, pass through a low-pass filter and are then applied to the 1st mixer (Q20, Q21). The 1st mixer (Q20, Q21) uses two 2SK2171s to produce high level mixing with a high intercept point.

The 1st LO signal (69.0600–99.0115 MHz for HF bands or 119.0100–123.0115 MHz for the IC-736 50 MHz band) enters the MAIN unit from the PLL unit via J5. The LO signal is amplified at Q10, filtered by a low-pass filter, and then, applied to the 1st mixer. The low-pass filter uses a ring core inductor to prevent leakage of 1st LO signals.

#### 1st IF frequency

Mode	Frequency
SSB	69.0115 MHz
CW	69.0106 MHz
AM, FM	69.0100 MHz

### 4-1-5 1st IF CIRCUIT (MAIN UNIT)

The 1st IF circuit filters and amplifies the 1st IF signals. The 1st IF signals from the 1st mixer circuit are applied to MCF (Monolithic Crystal Filter; F11a) to suppress out-of-band signals. The MCF provide an excellent selectivity.

The filtered signals are applied to the 1st IF amplifier (Q22) then applied to the MCF (F11b). AGC voltage is supplied to the 2nd gate of Q22.

### 4-1-6 2nd MIXER CIRCUIT (MAIN UNIT)

The 2nd mixer circuit mixes the amplified 1st IF signals and 2nd LO signal (60.00 MHz) to convert the 1st IF to a 2nd IF.

The amplified 1st IF signals from F11b are converted to 9 MHz 2nd IF signals at the 2nd mixer (IC1). IC1 is a DBM (Double Balanced Mixer). The DBM uses a coil with a glass-type core to treat the LO signal at a 0 dBm level.

The 2nd IF signals are applied to F12 to suppress undesired signals such as the 2nd LO signal, and are then applied to the noise blanker gate (D11–D14).

2nd IF frequency

Mode	Frequency
SSB	9.0115 MHz
CW	9.0106 MHz
AM, FM	9.0100 MHz

### 4-1-7 NOISE BLANKER CIRCUIT (MAIN UNIT)

The noise blanker circuit detects pulse type noise, and turns OFF the signal line when noise appears.

The 2nd IF signals from F12 are applied to the noise blanker gate (D11–D14). A portion of the signals from F12 are amplified at the noise amplifiers (Q29, IC5, Q31), then detected at the noise detector (D45). The detected signal is applied to the noise blanker switch (Q33).

A portion of the detected noise components is applied to the noise AGC circuit (Q30, Q32, C196, R166) to control the bias voltage of the noise amplifier (IC5 pins 1, 2).

The threshold level of the noise blanker switch (Q33) is set at 0.9 V. When the detected voltage exceeds the threshold level, Q34 outputs a blanking signal to close the noise blanker gate (D11–D14), depending on the pulse noise period.

When the operating frequency is changed, the "DNB" signal becomes "LOW," turning Q34 ON through D71. In this case, the noise blanker gate prevents PLL click noise.

### 4-1-8 2nd IF CIRCUIT (MAIN UNIT)

The 2nd IF circuit amplifies and filters the 2nd IF signals.

The signals passed through the noise gate (D11–D14) are amplified at Q23. The Loose tuning circuit (L44, C159) matches the signals to the 2nd IF filters.

2nd IF filters

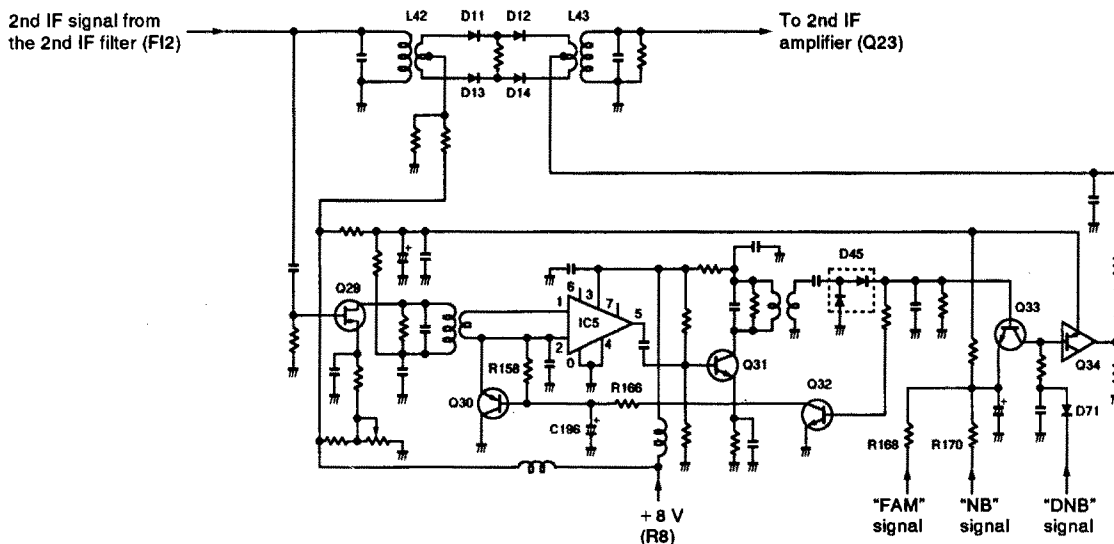
Mode	Used filter	Control signal
SSB, CW	F13	"ULC," "9MN"
CW narrow	Optional CW narrow filter	"9MN"
AM, FM	Bypassed	"FAM"

The filtered or bypassed signals are then applied to the 3rd mixer circuit through D61.

### 4-1-9 3rd MIXER AND 3rd IF CIRCUITS (MAIN UNIT)

The 3rd mixer circuit mixes the 2nd IF signals and the 3rd LO signal to obtain the 3rd IF (455 kHz).

### Noise blanker circuit



The 2nd IF signals from D61 are applied to the 3rd mixer (IC8 pin 5). The 3rd LO signal from Q93 is applied to the 3rd mixer (IC8 pin 7). The 2nd IF signals are converted to the 3rd IF signals. The 3rd IF signals are then applied to one of 3rd IF filters.

### 3rd IF filters

Mode	Used filter	Control signal
SSB, CW	FI5	"ULC," "455N"
CW narrow	Optional CW narrow filter	"455N"
AM	FI4	"AM"
FM	FI6	"FM"

The filtered signal is amplified at Q48, Q47 and Q45 to obtain a detectable level.

A thermistor (R200), connected to the gate of Q47, improves the temperature characteristics of the receiver gain. R205 adjusts the receiver gain. Q46 mutes the IF signal from Q47 until the R8 voltage line becomes 8 V DC. This prevents unwanted signal reception, especially during CW full break-in operation.

Output signals from Q47 are applied to the SSB/CW detector. Output signals from Q45 are shared between the AM detector and AGC detector.

### 4-1-10 BFO CIRCUIT (MAIN UNIT)

A 9 MHz signal oscillated at the BFO circuit (Q97, X4) is buffer-amplified at Q98 and applied to the balanced modulator (IC11) for transmission, and to a product detector (IC7) after mixing with the 3rd LO signal (PBT oscillator) at IC10 for receive demodulation.

#### (1) While in USB mode

The "USB" signal line becomes "HIGH," turning D107 ON. The frequency is then adjusted with C400 to set the USB carrier points.

#### (2) While in CW mode transmitting

The "CW" signal line becomes "HIGH," turning D105 ON.

The frequency is then adjusted with L128 to set the CW transmit carrier point.

#### (3) While in LSB mode and AM mode transmitting

The "LSB" or "AM" signal line becomes "HIGH," turning D108 and D104 ON. The frequency is then adjusted with L127 to set the LSB and AM carrier point.

#### (4) While in CW mode receiving

R8 voltage turns Q96 ON, then switching diodes (D104, D105, D107, D108) are turned OFF. The frequency is fixed by coils (L126–L128) and capacitors (C399, C400).

#### (5) While in FM mode and AM receiving

The power of the BFO circuit is supplied from the "ULC" (USB/LSB/CW) and T8 line switched by AM mode signal. Thus, the BFO circuit stops operation in FM mode and AM mode receiving.

### 4-1-11 PBT CIRCUIT (MAIN UNIT)

The PBT (PassBand Tuning) circuit shifts the 3rd IF within  $\pm 1.5$  kHz. As a result, the 3rd IF is shifted from the center frequency of the 3rd IF filter (FI5 or optional CW narrow filter). This means the 3rd IF signal does not pass through the center of the 3rd IF filter because the passband width is fixed in the 2nd IF filter. Therefore, the overlap of the 2nd and 3rd IF filters appears to be narrowed. Since the BFO frequency is also shifted the same value as the 3rd IF shift, frequency is corrected at the detector.

#### (1) While in SSB mode receiving

The 3rd LO signal to IC8 is produced by Q93 and X3. The signal is shifted within  $\pm 1.5$  kHz by D102 variable voltage which is controlled by the [PBT] control. Therefore, the 3rd LO signal is shifted to activate the PBT.

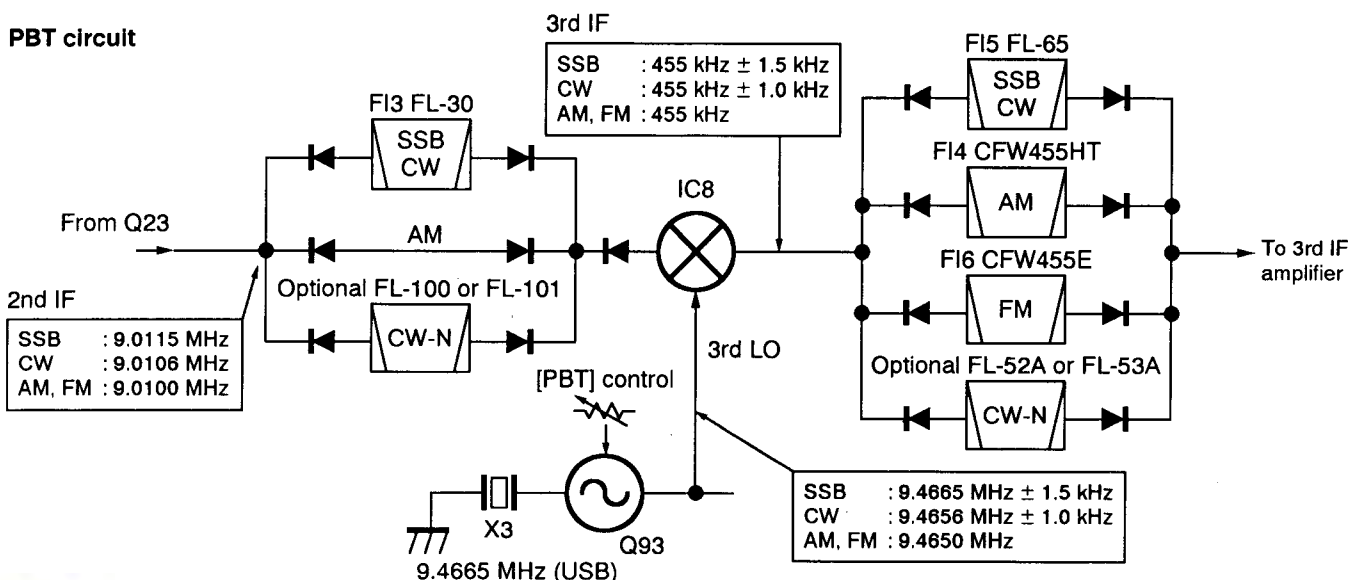
#### (2) While in CW mode receiving

The "CW" signal line becomes "HIGH," turning Q95 and Q132 ON. 8 V is applied to the anode of D102 to be narrowed the shift range. R418 sets the PBT center position.

#### (3) While in AM and FM mode receiving

D102 variable voltage is replaced with a preset voltage by

### PBT circuit





Q94 in AM mode and by Q130 in FM mode, respectively. The 9.4650 MHz is output regardless of the [PBT] control location.

#### 4-1-12 DEMODULATOR CIRCUIT (MAIN UNIT)

##### (1) SSB/CW modes

While in SSB or CW mode, the 3rd IF signals from Q47 are mixed with the BFO signal from IC10 at the product detector (IC7). The detected AF signal from IC7 (pin 3) is applied to the AF input mode selector switch (IC6 pin 2).

##### (2) AM mode

While in AM mode, the 3rd IF signals from Q45 pass through C182 and are detected at D44. The detected AF signal is then applied to the AF input mode selector switch (IC6 pin 3).

##### (3) FM mode

While in FM mode, the 3rd IF signals from the buffer amplifier (Q91) are applied to the FM IF IC (IC2 pin 5) where the IF signals are converted into an AF signal. X1 is used for quadrature detector. The detected AF signal is then applied to the AF input mode selector switch (IC6 pin 10).

#### 4-1-13 AF INPUT MODE SELECTOR SWITCH (MAIN UNIT)

The AF signal from one of the detector circuits is applied to the AF input mode selector switch (IC6). IC6 consists of 4 analog switches which are selected with a mode signal and the squelch control signal. The AF signal is output from IC6 (pins 1, 4, 11) and then applied to the AF notch circuit.

#### 4-1-14 AGC CIRCUIT (MAIN UNIT)

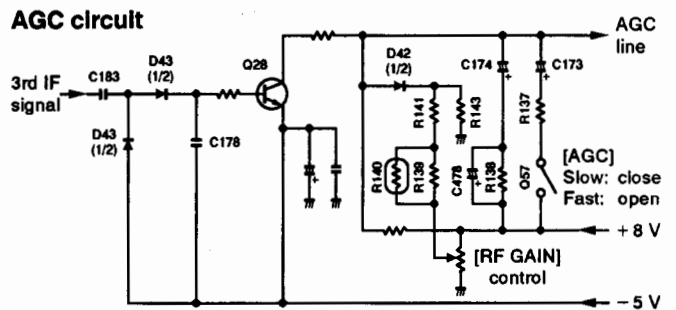
The AGC (Automatic Gain Control) circuit reduces IF amplifier gain to keep the audio output at a constant level.

The receiver gain is determined by the voltage on the AGC line (Q28 collector). The voltage is usually set by D42 and the resistance ratio of R139–R141, R143 and the [RF GAIN] control.

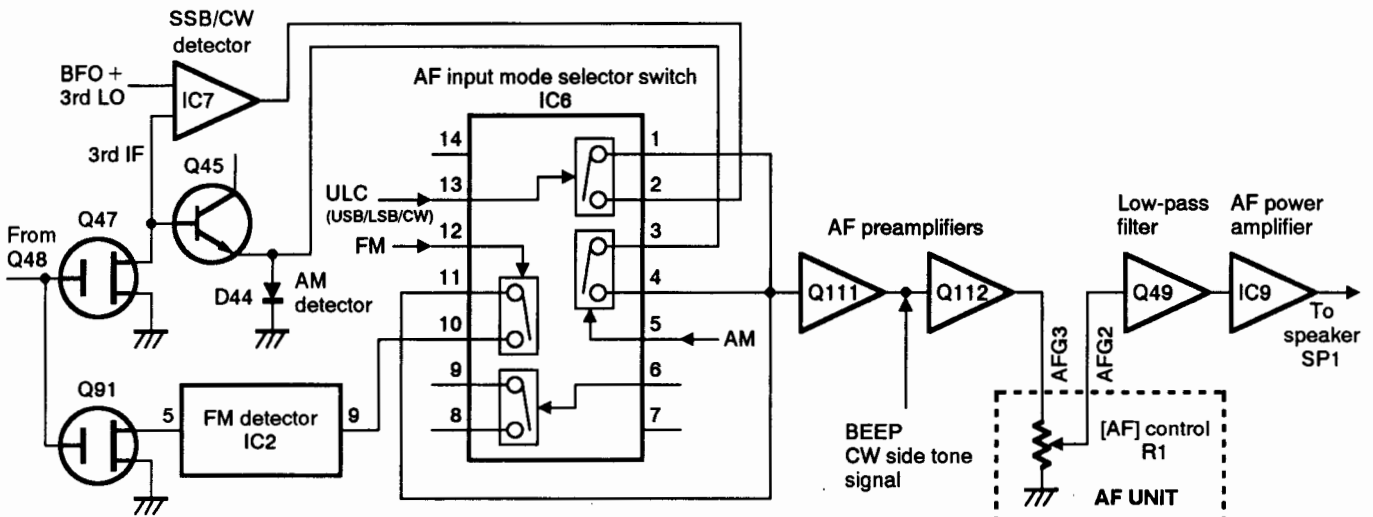
The 3rd IF signal from the buffer amplifier (Q45) is detected at the AGC detector (D43) and is then applied to the DC amplifier (Q28). -5 V is applied to the Q28 emitter to activate the AGC line on the minus voltage.

When receiving strong signals, the detected voltage increases and the AGC voltage decreases via the DC amplifier (Q28). As the AGC voltage is used for the bias voltage of the IF amplifiers (Q22, Q23, Q48), IF amplifier gain is decreased.

When the strong signal disappears, the AGC line voltage is released by C174, C478 and R138 while fast AGC is set. When slow AGC is set, C173 and R137 are connected in parallel to obtain a slow AGC release time.



#### AF circuit



#### 4-1-15 S-METER CIRCUIT (MAIN UNIT)

The S-meter circuit indicates the relative received signal strength while receiving by utilizing the AGC voltage which is changed depending on the received signal strength.

The AGC bias voltage (time constant line) is applied to a differential amplifier (IC4b pin 6) where the difference between the AGC and reference voltages is detected.

The resulting S-meter signal passes through the meter switching circuit (IC3 pin 3) via the "NSQ" signal line and is then applied to the S/R/F meter on the front panel. The full scale position is set by R131. IC3 pins 3 and 4 are shorted inside the IC while receiving.

The S-meter signal is also applied to the squelch circuit (IC4a pin 2).

#### 4-1-16 SQUELCH CIRCUIT (MAIN UNIT)

The squelch circuit mutes audio output when the S-meter signal is lower than the [SQL] control setting level.

The S-meter signal from IC4b (pin 7) is applied to the comparator (IC4a pin 2) through D39 to be compared with the threshold level set by the [SQL] control.

In addition, the noise squelch signal is also applied to the comparator in while in FM mode. A portion of the AF signals from the FM IF IC (IC2, pin 9) are applied to the active filter (IC2, pin 10) where noise components above 20 kHz are amplified and output from pin 11. The signals are rectified at the noise detector (D132) and then applied to Q24. The resulting signal from Q24 is applied to the comparator (IC4a pin 2) via the "NSQ" signal line.

When the S-meter signal is lower than the threshold level, the comparator output (IC4a pin 1) becomes "HIGH," and Q27 turns ON to deactivate the AF input mode selector switch (IC6 pins 5, 12, 13). This cuts AF output OFF. This signal is then applied to Q26, turning OFF the [RECEIVE] indicator, and is also applied to the [MICROPHONE] connector (pin 4) and [ACC(1)] connector (pin 6).

#### 4-1-17 AF NOTCH CIRCUIT (NOTCH BOARD)

The notch circuit attenuates the specified audio frequency to increase readability of desired signals.

The AF signal from the AF input mode selector switch (MAIN unit IC6, pin 1, 4 or 11) is applied to the AF notch circuit via IC2. IC2 and IC3 are analog switches which either select the AF signal to the notch circuit or bypass the notch circuit. The signal is then applied to an active bandpass filter (IC1a), which has very narrow width characteristics, to pick up the interference frequency in reverse phase.

The resulting signal is mixed with the original signal at R511 (MAIN unit) to obtain approx. 20 dB attenuation of the interference frequency components. The center frequency can be adjusted with the [NOTCH] control. IC1b functions as a buffer amplifier.

#### 4-1-18 AF AMPLIFIER CIRCUIT (MAIN UNIT)

The AF amplifier amplifies the AF input signal to a suitable driving level for the speaker.

The AF signal from the AF notch circuit is applied to the AF preamplifiers (Q111, Q112). The CW side tone and beep tone is applied to Q112.

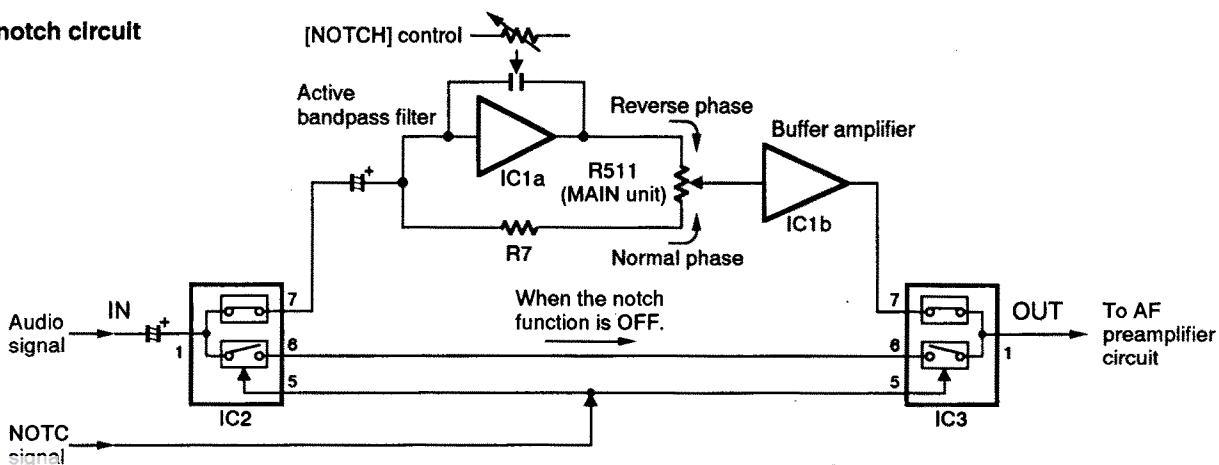
The amplified signal is applied to the [AF] control (AF unit R1) and then to the 2.8 kHz cut-off active low-pass filter (Q49). The AF signal from Q49 is power-amplified at IC9 to drive the speaker.

### 4-2 TRANSMITTER CIRCUITS

#### 4-2-1 MICROPHONE AMPLIFIER CIRCUIT (LOGIC UNIT)

The microphone amplifier circuit amplifies the microphone input signals and outputs the amplified signal to the balanced modulator and FM modulation circuit. The speech compressor circuit is included in this circuit.

AF notch circuit



Audio signals from the [MICROPHONE] connector are amplified at Q1 and then Q202. The amplified signals are then adjusted at the [MIC] control (AF unit R2) and amplified again at Q201. The amplified signal is applied to the balanced modulator (MAIN unit IC11) as an "MICG" signal or the FM/AM modulator circuit as an "FMI" signal.

When the speech compressor is ON, the gain of Q202 increases, and the diode limiter (D201) is activated. The compression level is set by the [COMP LEVEL] control (R366, MAIN unit).

#### 4-2-2 VOX CIRCUIT (MAIN UNIT)

The VOX (Voice-Operated-Transmission) circuit sets transmitting condition according to your voice.

The microphone signal from Q3 (LOGIC unit) passes through the [VOX GAIN] control (R380). The signal is then applied to the VOX comparator (IC20a pin 2) to switch Q90, Q62, Q63. When voice levels exceed the comparator level, the VOX circuit sets the transceiver to transmit.

On the other hand, a speaker drive signal from the AF power amplifier (IC9) is applied to the anti-VOX comparator (IC20b pin 5) via the [ANTI-VOX] control (R385). When audio output level increases, this comparator cuts out the VOX comparator input using Q89.

#### 4-2-3 BALANCED MODULATOR (MAIN UNIT)

The balanced modulator converts the AF signal from the microphone amplifier to a 9 MHz IF signal with a BFO (Beat Frequency Oscillator) signal.

Output signals from the microphone amplifier and the CW keying signal are applied to the balanced modulator (IC11 pin 5). The BFO signal, buffer-amplified at Q98, is applied to IC11 (pin 7) as a carrier signal.

IC11 is a double balanced mixer IC and outputs a double side band (DSB) signal with  $-40$  dB carrier suppression. R244 and R246 adjust the balanced level of IC11 for maximum carrier suppression. In CW mode, the CW keying signal upsets the balance to create a carrier signal.

#### 4-2-4 FM AND AM MODULATION CIRCUITS (MAIN UNIT)

##### (1) While in FM mode

The microphone signals (FMI) are amplified at Q84 and pass through the limiter amplifier (IC17a) and the splatter filter (IC17b).

The resulting signals are applied to the modulation circuit (D130) via R362. The modulation circuit changes the reactance of the FM local oscillator (Q126, X5) to obtain FM modulation. The modulated signal is amplified at Q127 and is then applied to the transmitter IF circuit (Q12).

##### (2) While in AM mode

The microphone signals from IC17b pass through the analog switch (IC23) and are then applied to the balanced modulator (IC11). A bias voltage is applied to the balanced modulator via D131 to obtain AM carrier signal.

#### 4-2-5 CW KEYING CIRCUIT (MAIN UNIT)

The CW keyer is connected to Q64. When the CW key is closed, 8 V is output from Q64 and this voltage controls break-in operation, the side tone signal and the transmit signal.

The 8 V from Q64 is applied via D80 to the balanced modulator (IC11) to unbalance the IC11 input bias voltage and create a carrier signal. R270 determines the transmit delay timing.

##### (1) Break-in

When the [BK-IN/VOX] switch (LOGIC unit S3) is pushed IN, the transceiver is automatically set to the transmission condition by CW keying. The 8 V from Q64 is applied to Q63 base via Q62. When the key is closed, Q63 grounds the SEND line for transmitting.

The transmit release delay time is determined by C302, R274 and the [DELAY] control (R275). When the [FULL] switch (LOGIC unit S4) is pushed IN, R276 is connected in parallel to obtain faster release time.

##### (2) Side tone

When the CW key is closed, this circuit oscillates 800 Hz side tone.

When the key is opened, D77 (Q60 side) is ON, and C298 is connected to Q60 collector. Thus, Q60 does not oscillate.

When the key is closed, D77 is reversely biased by the 8 V to disconnect C298 from Q60. Q60 then oscillates the side tone signal. The side tone signal is applied to the AF circuit.

##### (3) Keying

Keying is controlled at 2 points in this transceiver. The balanced mixer (IC11) stops the carrier output by recovering the balance of the input bias voltage. D5, located at the 2nd IF mixer (IC1) input, cuts the signal line.

##### (4) Electronic keyer

When a paddle is connected to the [ELEC-KEY] jack, a "dot" or "dash" signal is applied to the electronic keyer IC (IC15). The CW keying speed is adjusted with the [KEY SPEED] control (AF unit R2). R287 adjusts the keying weight (dot : space : dash) from 1 : 1 : 3 to 1.8 : 1 : 3.8.

IC15 (pin 7) outputs the keying signal in adjusted CW keying speed and weight, and the keying signal is then applied to Q64 via Q76.



## 4-2-6 IF AMPLIFIER (MAIN UNIT)

In SSB or CW mode, the 9 MHz IF signal passes through FI3 to suppress the unwanted sideband signal, then the signal is applied to a transmit IF amplifier (Q12). In FM or AM mode, the 9 MHz IF signal bypasses FI3 and is then applied to the transmit IF amplifier (Q12). The optional CW narrow filter is not used in transmitting.

The amplified signal from Q12 is mixed with the 2nd LO signal (60 MHz) and converted to a 69 MHz IF signal at IC1. IC1 is used in receiving and transmitting.

The 69 MHz IF signal is amplified at the IF amplifier (Q7) and is then converted to the displayed frequency at the balanced mixer (Q5, Q6) with the 1st LO signal.

The gates of the IF amplifiers (Q7, Q12) are controlled by ALC bias voltage from the ALC circuit. A thermistor (R47), connected to the gate of Q12, improves the temperature characteristics of the transmitter gain.

## 4-2-7 RF CIRCUIT (MAIN AND PA UNITS)

RF circuit amplifies the displayed frequency signal for 100 W of RF output power.

### (1) Double balanced mixer

The displayed frequency signal converted at the balanced mixer (MAIN unit Q5, Q6) is applied to the high-pass filter (L9, C18, C20) and the low-pass filter (L7, L8, C13–C17) where unwanted LO signal is reduced in HF bands. For the IC-736 50 MHz band, the signal from the high-pass filter is applied to the bandpass filter (L142, L143, L145–L147, C485–C490).

The filtered signal is then amplified at Q3.

### (2) IC-736 predrive, drive and power amplifier circuits

The signal from Q3 is applied to the low-pass filter (MAIN unit L149, L151, C505–C507, C510, C511), and is then applied to the PA unit. The signal is then amplified at the predrive amplifier (Q1), drive amplifier (Q2, Q3).

The signal from the drive amplifier is then applied to the power amplifier (Q5a, Q5b) to obtain a stable 100 W of RF output power. R44 adjusts bias voltage to the power amplifier. The signal from the power amplifier is applied to one of the low-pass filters.

### (3) IC-738 predrive, drive and power amplifier circuits

The signal from Q3 is applied to the low-pass filter (MAIN unit L151, C507, C510, C511), attenuator (R609–R611), and is then applied to the PA unit. The signal is then amplified at the predrive amplifier (Q1), drive amplifier (Q2, Q3).

The signal from the drive amplifier is then applied to the power amplifier (Q4, Q5) to obtain a stable 100 W of RF output power. The signal from the power amplifier is applied to one of the low-pass filters.

## 4-2-8 LOW-PASS FILTER CIRCUIT (FILTER UNIT)

The low-pass filter circuit consists of 6 Chebyshev low-pass filters to suppress the higher harmonic components. The IC-736 has one low-pass filter for the 50 MHz band additionally.

The signal from the power amplifier is applied to one of the low-pass filters. According to the operating frequency, the L1–L7 signals select a low-pass filter.

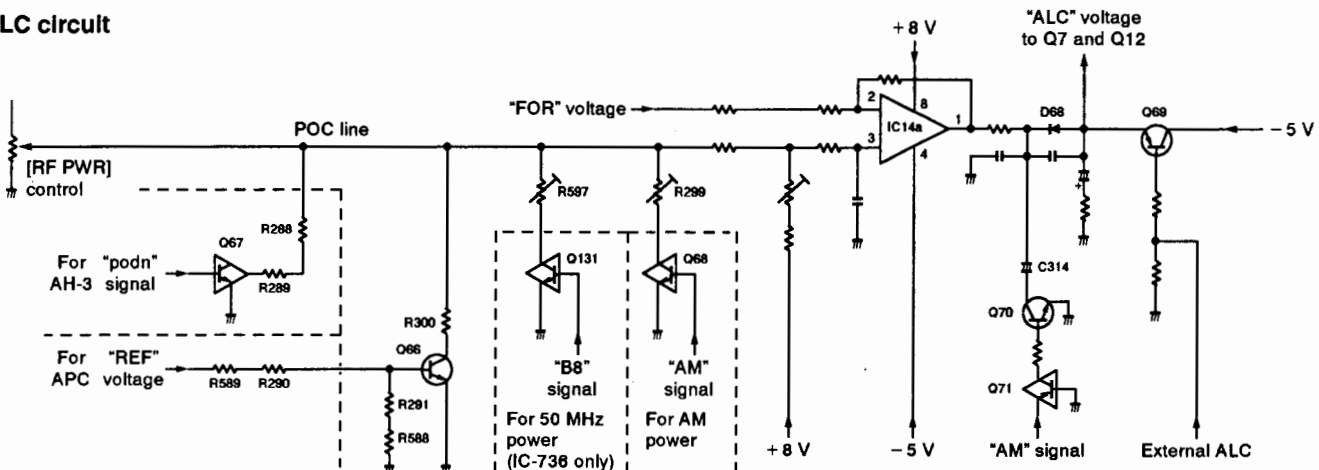
The filtered signal passes through the SWR detector circuit (L27) and is then applied to one of 2 antenna connectors via the antenna tuner circuit.

## 4-2-9 ALC CIRCUIT (MAIN UNIT)

The ALC (Automatic Level Control) circuit controls the gain of IF amplifiers in order for the transceiver to output a constant RF power set by the [RF PWR] control even when the supplied voltage shifts, etc.

The RF power signal level is detected at D1 (FILTER UNIT) and applied to the MAIN unit as the "FOR" voltage.

### ALC circuit



The "FOR" voltage from the FILTER unit is applied to IC14a (pin 2). The "POC" voltage, set by the [RF PWR] control (R10 on the LOGIC unit), is applied to IC14a (pin 3) as the reference voltage.

When the "FOR" voltage exceeds the "POC" voltage, ALC bias voltage from IC14a (pin 1) controls the IF amplifiers (Q7, Q12). This adjusts the output power to the determined level by the [RF PWR] control until the "FOR" and "POC" voltages are equalized.

In AM mode, IC14a operates as an averaging ALC amplifier with C314. Q68 turns ON and the "POC" voltage is shifted for 40 W AM output power (maximum) through R299.

The ALC bias voltage from IC14a (pin 1) is also applied to the inversion-amplifier (IC14b pin 6) to obtain an ALC meter signal. It passes through the meter switching circuit (IC3 pin 1) and is then applied to the S/RF meter. IC3 pins 1 and 2 are shorted while transmitting and when ALC meter is selected with the [METER] switch.

An external ALC input from the [ALC] jack or the [ACC] sockets is applied to the buffer amplifier (Q69). External ALC operation is identical to that of the internal ALC.

#### 4-2-10 APC CIRCUIT (MAIN UNIT)

The APC (Automatic Power Control) circuit protects the power amplifiers on the PA unit from high SWR and excessive current.

The reflected wave signal appears and increases on the antenna connector when the antenna is mismatched. D2 and D10 of the SWR detector circuit (L27, D1, D2, D10) in the FILTER unit detects the signal and applies it to Q66 in the MAIN unit as the "REF" signal.

When the "REF" signal level increases, Q66 decreases the "POC" voltage via R300. The "POC" voltage is applied to IC14a to activate the ALC.

For the current APC, the power transistor current is obtained by detecting the voltages ("ICH" and "ICL") which appear at both terminals of a 0.012 Ω resistor, R26 (IC-736) or R28 (IC-738), on the PA unit. The detected voltage is applied to the differential amplifier (IC32b pins 5, 6). When the current of the final transistors is more than 10.5 A (IC-736) or 22 A (IC-738), IC32b controls the ALC line via D67 to prevent excessive current flow.

During tuning an antenna with an optional AH-3, the "podn" signal turns Q67 ON. As a result, the "POC" voltage is shifted for 10 W output power.

#### 4-2-11 TEMPERATURE PROTECTION CIRCUIT (PA UNIT)

Cooling fans (MF1, MF2) are activated while transmitting or if the temperature of the final transistors exceeds the preset value.

While transmitting, Q7 and Q8 (Q6 and Q7\*) are turned ON, and provide a voltage to MF1 and MF2. The MF1 rotates in middle speed in this case. Thermistor R32 (R40\*) detects the temperature of Q5b (Q5\*). When the Q5b (Q5\*) temperature exceeds 40°C (104°F), R32 (R40\*) keeps turning Q7 and Q8 (Q6 and Q7\*) ON to rotate the cooling fans even when receiving.

A thermal switch (S1) is thermally-connected to Q5a (Q4\*). When the Q5a (Q4\*) temperature exceeds 90°C (194°F), S1 turns ON and provides a voltage for high speed rotation to MF1 via R28 (R33\*).

\* Shows the reference number of the IC-738.

#### 4-2-12 RF, SWR, ALC METER CIRCUITS (MAIN UNIT)

While transmitting, RF, SWR or ALC meter readings are available and can be selected by the [METER] switch.

##### (1) Power meter circuit

The "FOR" voltage from the FILTER unit is applied to the power meter amplifier (IC32a pin 3). The "PO" signal from IC32a (pin 1) is applied to the meter switch (IC3 pin 11). R529 and C289 are used for peak hold.

##### (2) SWR meter circuit

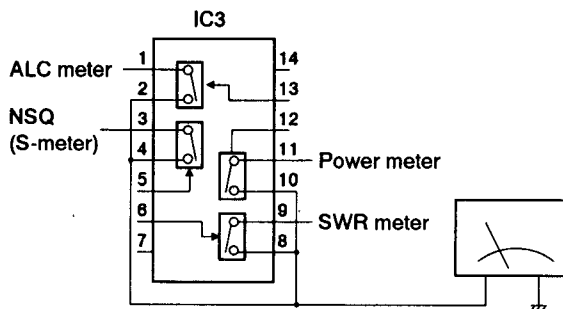
The "FOR" voltage, amplified at IC31a, is applied to the SWR board. The "REF" voltage, amplified at IC31b, is also applied to the SWR board. The SWR board outputs a signal according to the ratio of "FOR" to "REF" voltage. The signal is applied the meter switch (IC3 pin 9).

##### (3) ALC meter circuit

The ALC bias voltage is applied to the inversion-amplifier (IC14b pin 6) and is then applied to the meter switch (IC3 pin 1).

##### (4) Meter switch

According to the transmit meter selection and operating condition, IC3 selects the meter signals and outputs from pins 2, 4, 8 or 10 as the "MET" signal. The "MET" signal is applied to the S/RF meter (FRONT unit ME1).



## 4-3 PLL CIRCUITS

### 4-3-1 GENERAL DESCRIPTION

The PLL unit generates a 1st LO signal (69.0600–99.0115 MHz for HF bands or 119.0100–123.0115 MHz for IC-736 50 MHz band, variable) and a 2nd LO signal (60.00 MHz fixed). The IC-736 and IC-738 use a dual loop PLL system.

The main loop PLL contains 4 VCO circuits for all HF band coverage and 1 VCO circuit (IC-736 only) for 50 MHz band coverage within 500 kHz steps.

The sub loop PLL employs the DDS (Direct Digital Synthesizer) system which ensures a rapid lockup time and high quality frequency oscillation for 500 kHz coverage within 1 Hz steps.

### 4-3-2 1st LO CIRCUIT (PLL UNIT)

The 1st LO circuit employs a dual loop PLL system. One of the main loop VCO signal is mixed with the signals from the sub loop PLL at IC8 and the resulting signal enters the PLL custom IC (IC201).

IC201 contains the DDS circuit for the sub loop PLL and a programmable divider/phase detector for the main loop PLL. The entered signal is divided and detected at the programmable divider and phase detector sections in IC201.

In the sub loop PLL, the reference frequency is generated at a digital synthesizer in the DDS section. The sub loop, therefore, does not use a programmable divider and high speed lock-up times can be obtained.

### 4-3-3 MAIN LOOP CIRCUIT (PLL UNIT)

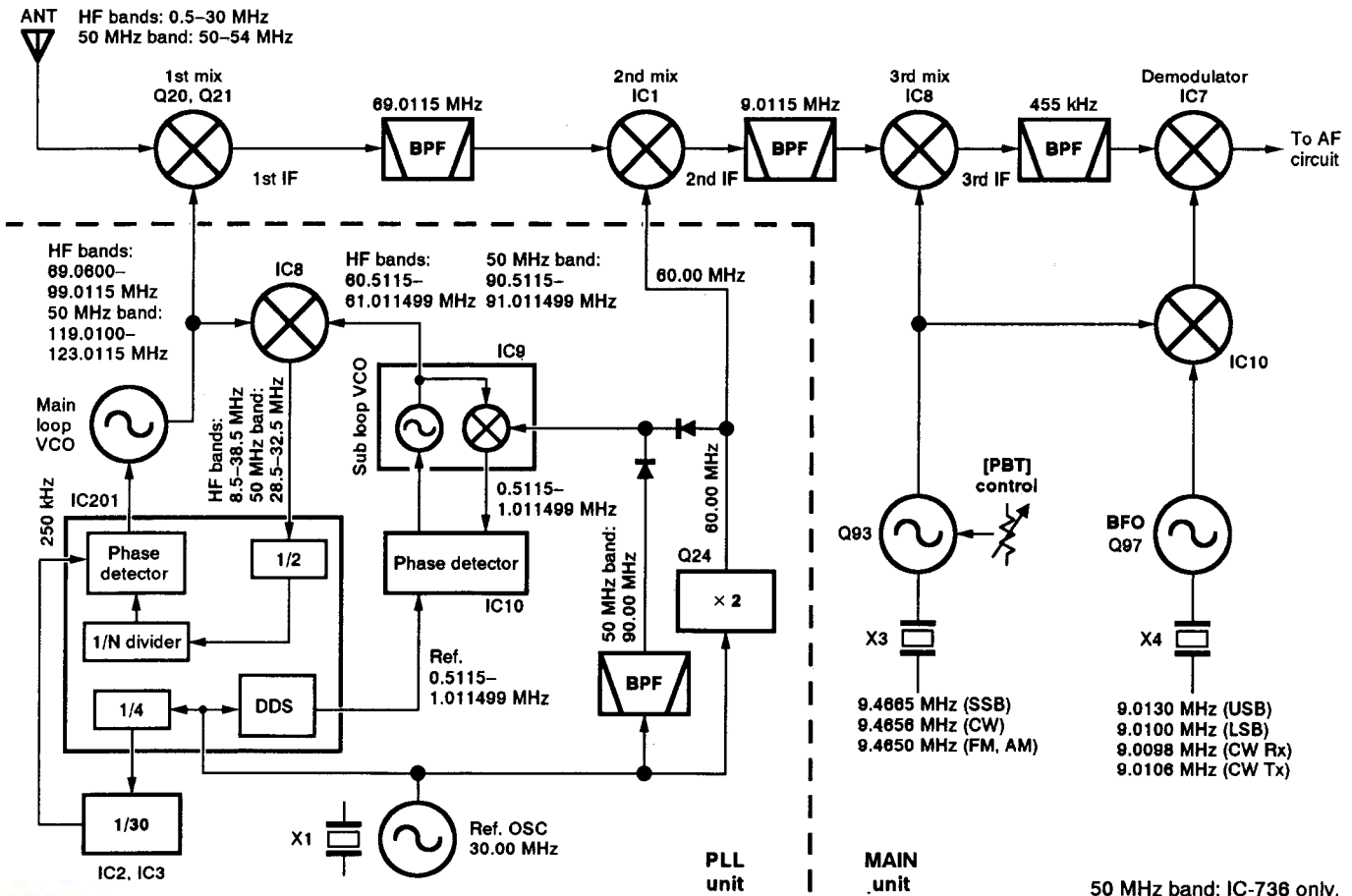
The "VCO1"–"VCO4" signals select a VCO circuit. For the IC-736, the "VCO5" signal selects the 50 MHz VCO circuit. The oscillated signal is buffer-amplified at Q11 and Q28 and then applied to the mixer (IC8 pin 8). The sub loop PLL output signal is also applied to the mixer (IC8 pin 2).

The mixed signal from pin 5 is passed through a low-pass filter (L39–L41, C114–C120) and then amplified at Q30. The signal is then applied to the PLL IC (IC201 pin 80).

The signal is divided by 2 and applied to a programmable divider section. The divided signal is then phase detected at the phase comparator section with the 250 kHz reference frequency. The phase detected signal is output from IC201 (pins 52, 53) and is then converted to a DC voltage (lock voltage) by the active loop filter (IC5b).

Although a reference frequency of 250 kHz is used, the main loop resolution is 500 kHz, since VCO output is divided by 2 before being applied to the programmable divider section.

### Frequency construction





The lock voltage is applied to the varactor diodes (D1, D3, D5, D7 and D9 for the IC-736 50 MHz band) in the VCO circuits to change the capacitance of these diodes and control the oscillation frequency.

The VCO oscillating signal is then buffer-amplified at Q11 and Q12, filtered by the low-pass filter (L20–L22, C56–C61) and applied to the MAIN unit as a 1st LO signal. When the operating frequency is 15 MHz or above, Q13 turns OFF and the low-pass filter cut-off frequency changes for higher LO frequency.

### 4-3-4 SUB LOOP CIRCUIT (PLL UNIT)

IC9 contains an oscillator and mixer circuits. IC9 pin 5 outputs 0.5115–1.011499 MHz since the oscillated signal is mixed with 60.00 MHz (90.00 MHz for the IC-736 50 MHz band) of frequency.

The signal passes through the low-pass filter (L60, C157–C159) and is amplified at Q33. The signal is then phase-detected at IC10. The reference frequency of IC10 uses a DDS output from IC201 (pins 6–11, 14–19).

The detected signals are applied to the loop filter (R132, R133, C156) to be converted to a DC voltage (lock voltage). The lock voltage is applied to the varactor diode (D16) to control the sub loop VCO oscillation frequency.

### 4-3-5 REFERENCE OSCILLATOR AND 2ND LO CIRCUITS (PLL UNIT)

The reference oscillator circuit consists of Q22 and X1. A 30.00 MHz reference frequency is oscillated to produce a 2nd LO signal, main loop reference frequency and clock signal for DDS.

The reference frequency is buffer-amplified at Q23 and is then divided by 4 at a divider inside IC201. The 7.50 MHz frequency is divided by 30 at IC2 and IC3 to obtain the 250 kHz PLL reference frequency.

The 30.00 MHz reference frequency is multiplied by 2 at Q24 to obtain the 2nd LO signal. The resulting 60.00 MHz signal is filtered at the bandpass filter and is then applied to a sub loop mixer (IC9) and to the MAIN unit via P2 as the 2nd LO signal.

For the IC-736, the 3rd harmonic components of the reference frequency is picked up by the bandpass filter (L81–L84, C247–C254) to obtain 90.00 MHz signal. The 90 MHz signal or 60 MHz signal from Q24 is amplified at Q39 and is then applied to the sub loop mixer (IC9). The 90 MHz signal is used when the operating frequency is in the 50 MHz band.

## 4-4 LOGIC CIRCUITS

### 4-4-1 BAND SELECTION DATA (MAIN AND PLL UNITS)

To select the correct bandpass filter, low-pass filter and VCOs on the MAIN and PLL units, the CPU outputs the following band selection data from the I/O expander (IC26 MAIN unit) or DDS IC (IC201 PLL unit) depending on the displayed frequency.

Band selection data

Frequency (MHz)	IC26 (MAIN)	IC25 (MAIN)		IC201 (PLL)	
	BPF	Band voltage	LPF	VCO	1st LO filter
0.5–1.59999	B0	7.4 V	L1	VCO1	Lower cut-off freq.
1.6–1.99999	B1		L2		
2.0–3.99999	B2	L3			
4.0–7.99999	B3	5.1 V	L4	VCO2	
8.0–10.99999	B4	0.0 V		VCO3	
11.0–14.99999	B5	4.1 V	L5	VCO4	Higher cut-off freq.
15.0–21.99999	B6	3.2 V	L6	VCO5	
22.0–29.99500	B7	2.2 V	L7		
50.0–54.00000*	B8	1.9 V			

\* IC-736 only.

### 4-4-2 KEY MATRIX (SW AND M-CH UNITS)

	KS0 (PC00)	KS1 (PC01)	KS2 (PC02)	KS3 (PC03)	KS4 (PC04)	KS5 (PC05)
KR0 (PA10)	[TUNER]	[SSB]	[XFC]	[FREQ-INP]	[VFO/MEMO]	[M ▶ VFO]
KR1 (PA11)	[PREAMP]	[CW/N]	[TS]	[SPLIT]	[MW]	[CLEAR]
KR2 (PA12)	[ATT]	[AM]	[A/B]	[A=B]	[SEL]	[SCAN]
KR3 (PA13)	[ANT]	[FM/TONE]	[1.8 [1]]	[3.5 [2]]	[7 [3]]	[M-CH UP]
KR4 (PA14)	[METER]	[MP-W]	[10 [4]]	[14 [5]]	[18 [6]]	[M-CH DN]
KR5 (PA15)	[AGC]	[MP-R]	[21 [7]]	[24.5 [8]]	[28 [9]]	[RIT]
KR6 (PA16)	[NB]	MIC U/D	[GENE [□]]	IC-736: [50 [0]] IC-738: [29 [0]]	[ENT]	[Δ TX]
KR7 (PA17)	[COMP]	MIC CK	[LOCK]	[DOWN]	[UP]	[NOTCH]

### 4-4-3 CPU (LOGIC UNIT)

The CPU (IC3) contains an 8-bit CMOS CPU with a 12.288 MHz clock for rapid operation. The CPU controls the operating frequency, mode, function display, etc. The memory contents such as memory channel information are stored in the RAM IC chip (IC5) using a lithium backup battery which has a normal life of more than 5 years.

The Icom CI-V network system allows the transceiver to be remotely controlled by a personal computer using an RS-232C I/O port.

### 4-4-4 I/O INTERFACE PORT ALLOCATIONS (LOGIC UNIT IC6)

#### (1) Output ports

Port name	Pin number	Description
STEN (PC07)	4	Outputs a strobe enable signal.
KS0-KS6 (PC00-PC06)	9-11, 13, 8, 7, 5	Output strobe signals for the key matrix and output expanders.
$\overline{\text{CRES}}$ (PA07)	71	Outputs a reset signal for the CI-V bus latch.
$\overline{\text{ESTART}}$ (PA06)	72	Outputs a control signal for the external antenna tuner (AH-3/AT-160).
PLEN (PA05)	73	Outputs an enable signal for the PLL and DDS data.
DSTB (PA04)	74	Outputs a strobe signal for the DDS IC (IC201).
PSTB (PA03)	75	Outputs a strobe signal for the PLL I/O expander (IC6).
$\overline{\text{INH}}$ (PA02)	76	Outputs an inhibit signal for the LCD drivers and output expanders.
LCE1, LCE2 (PA00, PA01)	78, 77	Output enable signals for the LCD drivers.

#### (2) Input ports

Port name	Pin number	Description
KR0-KR7 (PA10-PA17)	23-19, 17-15	Input ports for return signals of the key matrix.
DIDN, DIUP (PC16, PC17)	29, 28	Input ports for up/down signal of the main dial.
DITS (PC15)	30	Input port for rapid rotation of the main dial.
DIQ1-DIQ5 (PC10-PC14)	32-35, 31	Input ports for 5-bit data of the main dial.
RIQ1-RIQ5 (PB10-PB14)	36-40	Input ports for 5-bit data of the [RIT/ $\Delta$ TX] control.
RIDN, RIUP (PB16, PB17)	43, 44	Input ports for up/down signal of the [RIT/ $\Delta$ TX] control.
IKEY (PB00)	47	Input port for the internal antenna tuner. This port becomes "LOW" when the antenna cannot be tuned.
ICON (PB01)	48	Input port for connection of the internal antenna tuner. This port becomes "LOW" when the internal antenna tuner is connected.
EKEY (PB02)	49	Input port for the external antenna tuner (AH-3/AT-160). This port becomes "LOW" when the antenna cannot be tuned.
ECON (PB03)	50	Input port for connection of the external antenna tuner. This port becomes "HIGH" when an external antenna tuner (AH-3/AT-160) is connected.
SQLS (PB04)	52	Input port for the squelch signal. This port becomes "LOW" when the squelch is open.
TRC (PB05)	53	Input port for transmit/receive switching signal. This port becomes "HIGH" while transmitting.
CBUS (PB06)	55	Input port for busy signal of the CI-V bus line. This port becomes "HIGH" when the bus line is busy.
TUNS (PB07)	56	Input port for selection of the external antenna tuner. This port becomes "HIGH" when the AT-160 is connected.

## 4-5 REGULATOR CIRCUITS

Either +8 V, +5 V or -5 V DC is supplied from a corresponding regulator circuit. +8 V, +5 V and -5 V DC are regulated at the following circuits using 13.8 V DC.

### (1) +5 V REGULATORS

+5 V DC are provided by three-terminal voltage regulators (IC21 LOGIC unit, IC4 PLL unit, IC7 CTRL unit).

### (2) +8 V REGULATOR (MAIN UNIT)

+8 V DC is provided by a three-terminal voltage regulator (IC12).

### (3) -5 V REGULATORS

IC22 (MAIN unit) generates a negative pulse-type voltage by converting the DC input to AC voltages (approx. 6.7 kHz) as a multi-vibrator. The voltage is rectified at D89 and D92, regulated by a Zener diode (D91) and C377/C378, and is then applied to the MAIN and PLL units.

IC8 (CTRL unit) also generates a negative pulse-type voltage by converting the DC input to AC voltages. The voltage is rectified at D21, regulated by C56/C57.

## 4-6 ANTENNA TUNER CIRCUITS

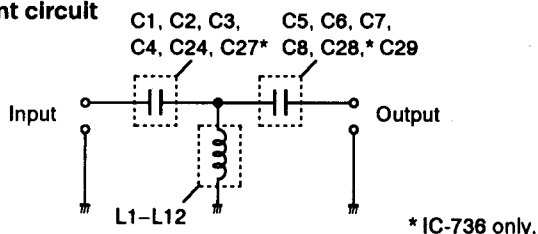
### 4-6-1 MATCHING CIRCUIT (TUNER UNIT)

The matching circuit is a T-network. Using 2 tuning motors, the matching circuit obtains rapid overall tuning speed.

Using relays (RL1-RL15\*), the relay control signals from the antenna tuner CPU (IC12 CTRL unit) grounds one of the taps of L1-L12 and adds condensers (C2-C4, C6-C8, C24, C27-C29\*). After selecting the coils and condensers, 2 motors (TUNER unit MF1, MF2) adjust C1 and C5 using the output of a motor control circuit (IC9, IC10) to obtain a low SWR (Standing Wave Ratio).

\* Includes the IC-736 exclusive parts.

#### Equivalent circuit



### 4-6-2 DETECTOR CIRCUIT (CTRL UNIT)

#### (1) SWR detector

Forward and reflected power are picked up by L2, detected by D1 and D2, and then amplified at IC1a/b. The amplified voltages are applied to the antenna tuner CPU (IC12 pins 3 and 2). The CPU detects the SWR.

#### (2) Reactance components detector

Reactance components are picked up by comparing the phases of the RF current and RF voltage. The RF current is detected by L7 and R23. RF voltage is detected by C11-C13. Both detector voltages are buffer-amplified at IC2a, IC2c, IC3a and IC3d, and are then applied to the phase comparator (IC4a, IC5). The output signal of IC5 is detected at D9 and D10. When the RF current phase leads the voltage phase, the detected voltage becomes lower; when the current lags the voltage, the detected voltage becomes higher. The output signal is amplified at IC6a, and then applied to IC12 (pin 64).

#### (3) Resistance components detector

Resistance components are picked up by L10, and detected by D11, D12 and Q1. The detected resistance components are amplified at IC6b, and then applied to IC12 (pin 1).

## 4-6-3 MOTOR CONTROL CIRCUIT

The control circuit of the internal antenna tuner consists of the CPU, EEPROM, tuning motors and tuning relays.

#### (1) CPU and EEPROM (CTRL unit)

The antenna tuner CPU (IC12) controls the tuning motors and tuning relays, and memorizes the best preset position in 100 kHz steps. The memory contents are stored in the EEPROM\* (IC11) without a backup battery.

\* Electronically-Erasable Programmable Read-Only Memory

#### (2) Tuning motors (CTRL unit)

Motor drivers (IC9, IC10) rotate tuning motors (MF1, MF2) to obtain a low SWR.

Tuning motor	Motor control signals	Motor driver	Description
MF1	PW, PX, PY, PZ,	IC9	MF1 rotates C1.
MF2	RW, RX, RY, RZ	IC10	MF2 rotates C5.

#### (3) Tuning relays (TUNER unit)

According to the operating band and antenna condition, tuning relays select the condensers and coils.

Tuning relays	Relay control signals	Buffer	Description
RL1-RL6, RL14,* RL15*	C11, C12, C13, C01, C02, C03, NVHF	IC1	Condenser selection.
RL7,* RL8-RL13	3.5M, 7M, 10M, 14M, 18M, 24M, VHF	IC2	Coil selection.

\* IC-736 only.



#### 4-6-4 ANTENNA TUNER CPU PORT ALLOCATION (CTRL UNIT IC12)

##### (1) Output ports

Port name	Pin number	Description
KEY (P46/SCLK1)	13	Output port for the tuner data.
THRU (P42/INT1)	17	Outputs the tuner control signal. This port becomes "HIGH" when the tuner is bypassed.
P41/INT0	20	Outputs "HIGH" while in maintenance mode.
NVHF (P27)	25	For the IC-736 only. Outputs a condenser selection signal. This port becomes "HIGH" when the 50 MHz band is not selected.
VHF (P26)	26	For the IC-736 only. Outputs a coil selection signal. This port becomes "HIGH" when the 50 MHz band is selected.
3.5M, 7M, 10M, 14M, 18M, 24M (P20-P25)	32-27	Output the coil selection signals.
C11-C13, C01-C03, (P10-P12, P14-P16)	40-38, 35-33	Output the condenser selection signals.
RW, RX, RY, RZ (P04-P07)	44-41	Output control signals for IC10. IC10 controls MF2.
PW, PX, PY, PZ (P00-P03)	48-45	Output control signals for IC9. IC9 controls MF1.
P37/RD	49	Inputs/outputs tuning data for the EEPROM (IC11).
P36/WR	50	Outputs a clock signal for the EEPROM (IC11).

##### (2) Input ports

Port name	Pin number	Description
R (P62/AN2)	1	Input port for the resistance detection voltage.
REF (P61/AN1)	2	Input port for the reflected power voltage.
FOR (P60/AN0)	3	Input port for the forward power voltage.
PWRS (P57/INT3)	4	Detects the transceiver power. This port becomes "HIGH" 30 msec. before the power is turned OFF.
P55/CNTR1	6	Input port for the 50 MHz band tuning. When the signal is "HIGH," the 50 MHz band signal is bypassed.
P54/CNTR0	7	Input port for maintenance mode.
P53/SRDY2	8	Input port for the tuning level setting (S1). "HIGH" for less than 1.5 (SWR); "LOW" for less than 2.5 (SWR).
P52/SCLK2	9	Input port for the tuning mortor maintenance.
P51/SOUT2	10	Input port for tuner sensitive setting (S2).
START (P44/RXD)	15	Input port for the serial data from the transceiver CPU.
RESET	19	Inputs the reset signal. This port becomes "LOW" when the power is turned ON.
SEND (P40/INT4)	21	Inputs transmit/receive switching signals from the LOGIC unit. This port becomes "HIGH" while transmitting.
XIN, XOUT	22, 23	Input ports for the CPU system clock.
P37/RD	49	Inputs/outputs tuning data for the EEPROM (IC11).
P (P63/AN3)	64	Input port for the reactance detection voltage.

# SECTION 5

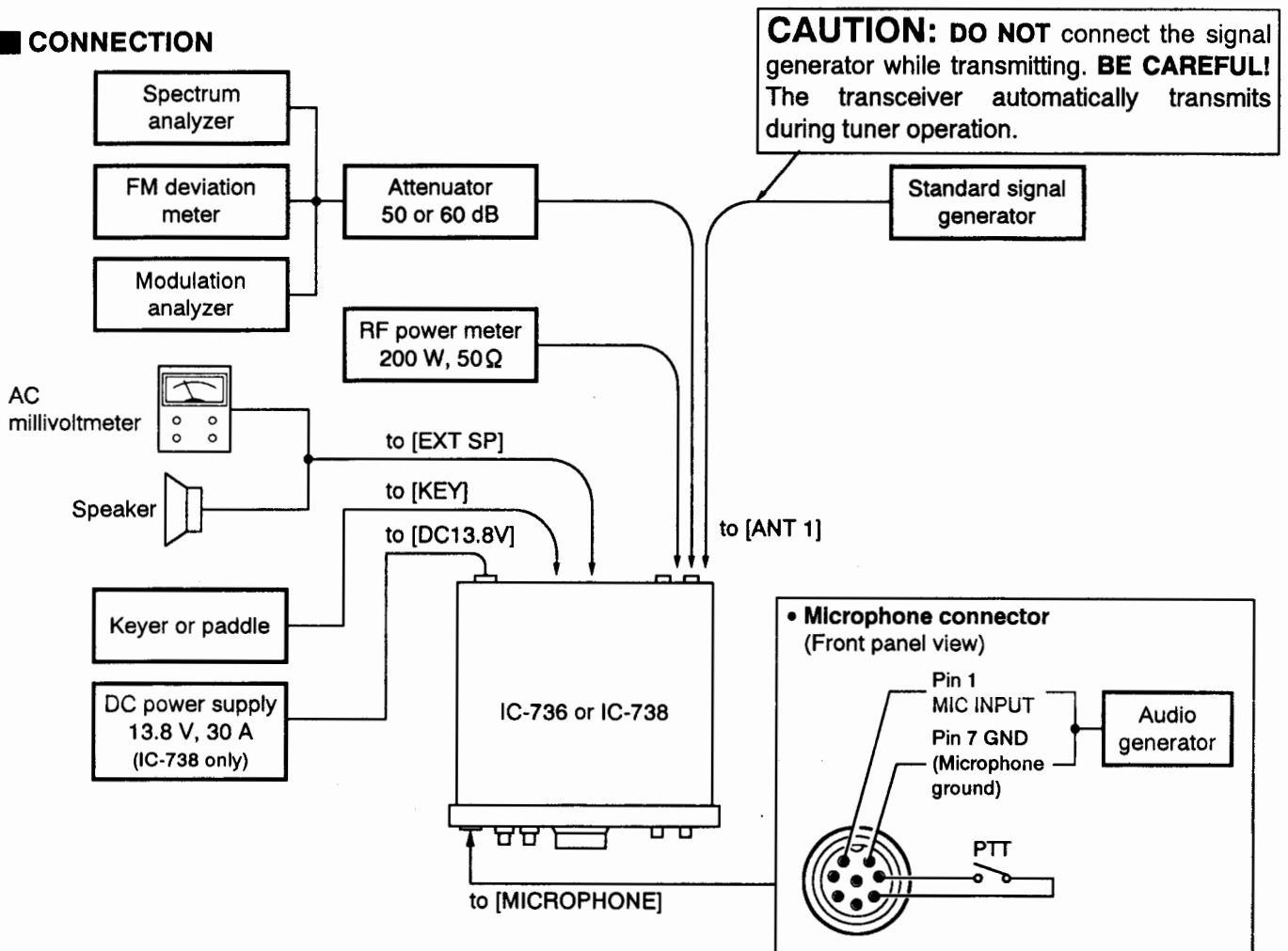
# ADJUSTMENT PROCEDURES

## 5-1 PREPARATION BEFORE SERVICING



### ■ REQUIRED TEST EQUIPMENT

EQUIPMENT	GRADE AND RANGE	EQUIPMENT	GRADE AND RANGE
DC power supply (for IC-738)	Output voltage : 13.8 V DC	AC millivoltmeter	Measuring range : 10 mV–10 V
	Current capacity : 25 A or more	DC voltmeter	Input impedance : 50 kΩ/DC or better
RF power meter (terminated type)	Measuring range : 10–200 W	Ammeter	Measurement capability: 1 A and 30 A
	Frequency range : 1.8–100 MHz	Audio generator	Frequency range : 300–3000Hz Output level : 1–500 mV
Frequency counter	Impedance : 50 Ω	Attenuator	Power attenuation : 50 or 60 dB Capacity : 150 W or more
	SWR : Less than 1.2 : 1	Spectrum analyzer	Frequency range : At least 150 MHz Spectrum bandwidth: ±100 kHz or more
RF voltmeter	Frequency range : 0.1–100 MHz Measuring range : 0.01–10 V	FM deviation meter	Frequency range : 28–100 MHz Measuring range : 0 to ±10 kHz
Digital multimeter	Input impedance : 10 MΩ/DC or better	Modulation analyzer	Frequency range : 28–100 MHz Measuring range : 0–100%
Standard signal generator (SSG)	Frequency range : 0.1–100 MHz Output level : 0.1 μV–32 mV (–127 to –17 dBm)	External speaker	Impedance : 8 Ω Max. input power : 5 W
Distortion meter	Frequency range : 1 kHz ±10% Measuring range : 1–100%	Terminator	Resistance : 50 and 150 Ω Capacity : 150 W or more
Oscilloscope	Frequency range : DC–20 MHz Measuring range : 0.01–10 V		

### ■ CONNECTION

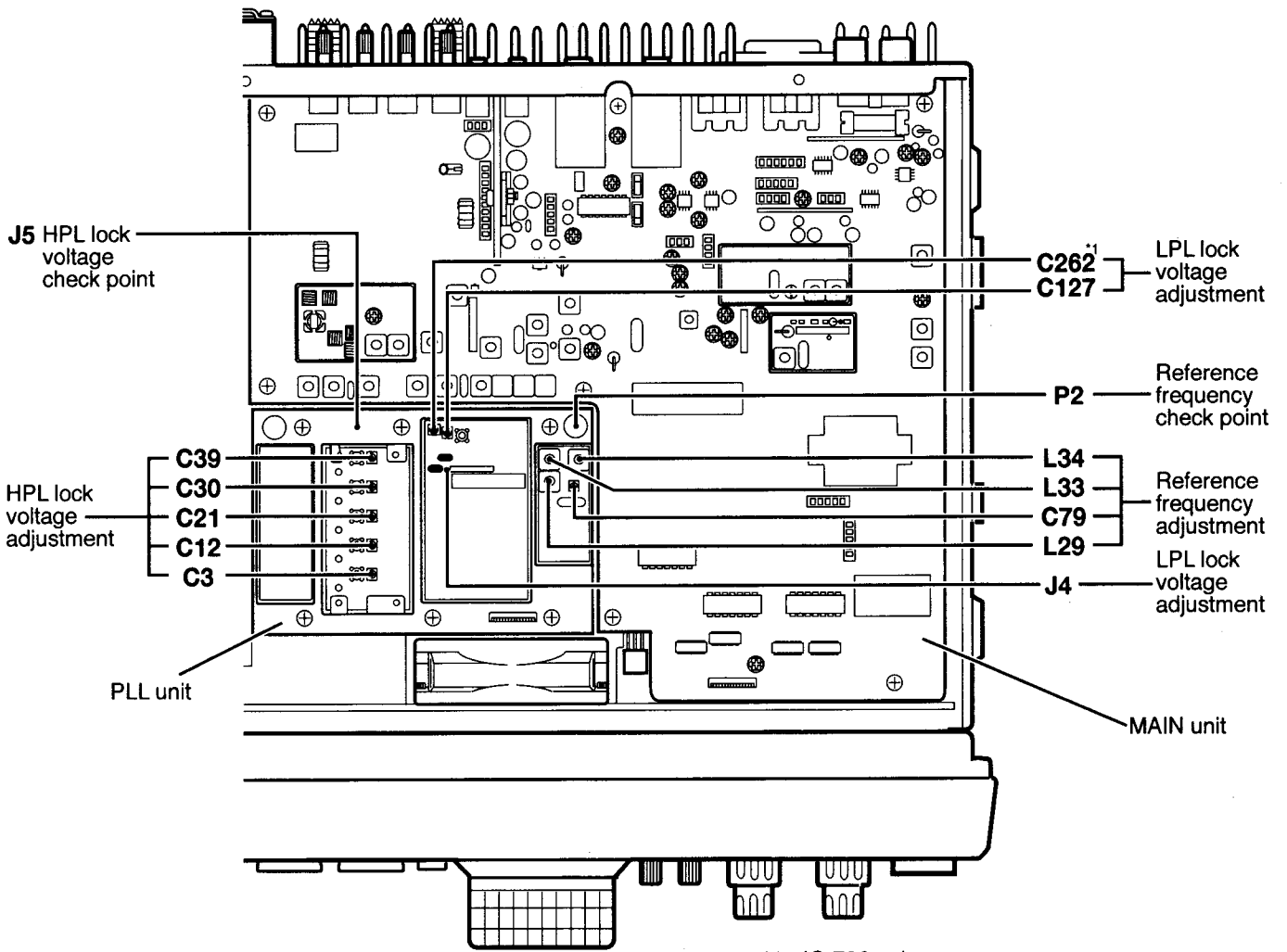


## 5-2 PLL ADJUSTMENT

ADJUSTMENT	ADJUSTMENT CONDITIONS	MEASUREMENT		VALUE	ADJUSTMENT POINT				
		UNIT	LOCATION		UNIT	ADJUST			
REFERENCE FREQUENCY	1	<ul style="list-style-type: none"> <li>Displayed frequency: 14.10000 MHz</li> <li>Mode : USB</li> <li>Terminate P2 with a 50 Ω resistor.</li> <li>Receiving</li> </ul>	PLL		Preset to C79 as shown below. 	PLL	C79		
	2			Connect the RF voltmeter to P2.			Maximum level (0-6 dBm)	L33, L34	
	3			Connect the frequency counter to P2.			60.00 MHz	L29	
	4	After adjustment, remove the resistor from P2, then re-plug it to the previous place.							
IC-736 LPLLOCK VOLTAGE	1	<ul style="list-style-type: none"> <li>Displayed frequency: 51.00000 MHz</li> <li>Mode : USB</li> <li>Receiving</li> </ul>	PLL		Preset C127 and C262 as shown below. 	PLL	C127, C262		
	2			Connect the digital multimeter or oscilloscope to J4.			1.0 V DC	C127	
	3	<ul style="list-style-type: none"> <li>Displayed frequency: 14.00000 MHz</li> </ul>		1.0 V DC	C262				
	4	Repeat steps 2 and 3 several times							
	5	<ul style="list-style-type: none"> <li>Displayed frequency: 13.99999 MHz</li> </ul>			2.2-2.8 V DC		Verify		
	6	<ul style="list-style-type: none"> <li>Displayed frequency: 50.99999 MHz</li> </ul>			1.9-2.5 V DC		Verify		
IC-738 LPL LOCK VOLTAGE	1	<ul style="list-style-type: none"> <li>Displayed frequency: 14.00000 MHz</li> <li>Mode : USB</li> <li>Receiving</li> </ul>	PLL	Connect the digital multimeter or oscilloscope to J4.	Preset C127 as shown below. 		C127		
	2						1.0 V DC	C127	
	3						<ul style="list-style-type: none"> <li>Displayed frequency: 13.99999 MHz</li> </ul>	1.9-2.5 V DC	Verify
HPL LOCK VOLTAGE	1	<ul style="list-style-type: none"> <li>Displayed frequency: 7.99999 MHz</li> <li>Mode : USB</li> <li>Receiving</li> </ul>	PLL	Connect the digital multimeter or oscilloscope to J5.		PLL	C3		
	2						<ul style="list-style-type: none"> <li>Displayed frequency: 14.99999 MHz</li> </ul>	6.5 V DC	C12
	3						<ul style="list-style-type: none"> <li>Displayed frequency: 21.99999 MHz</li> </ul>	6.5 V DC	C21
	4						<ul style="list-style-type: none"> <li>Displayed frequency: 30.00000 MHz</li> </ul>	6.5 V DC	C30
	5						<b>IC-736 only</b> <ul style="list-style-type: none"> <li>Displayed frequency: 60.00000 MHz</li> </ul>	6.5 V DC	C39
	6						<ul style="list-style-type: none"> <li>Displayed frequencies: 0.50000 MHz, 8.00000 MHz, 15.00000 MHz and 22.00000 MHz</li> </ul>	More than 1.65 V DC	Verify



● MAIN AND PLL UNITS

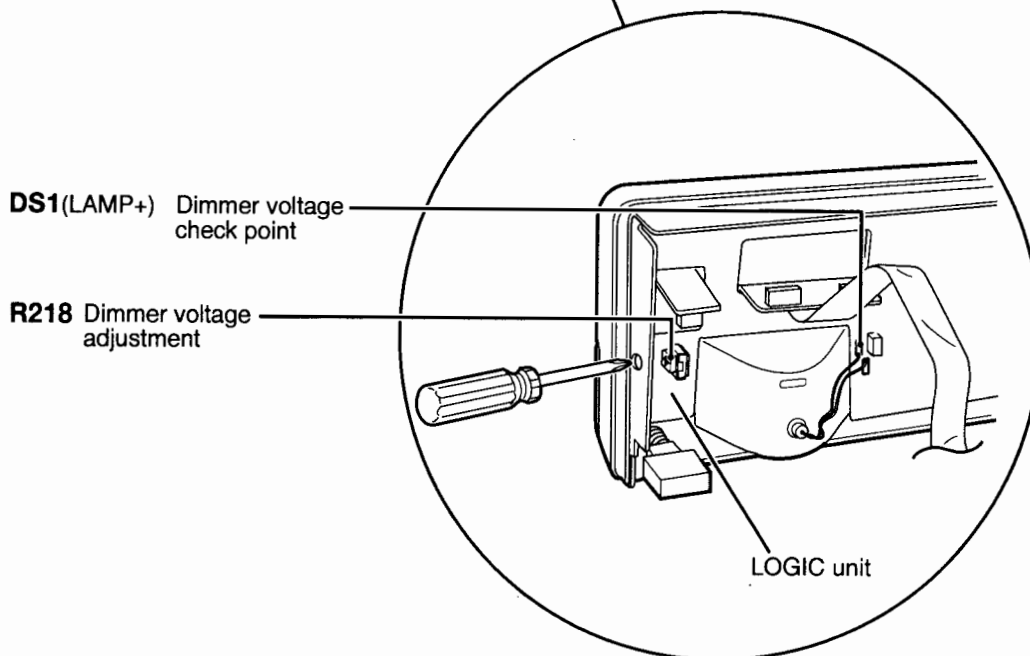
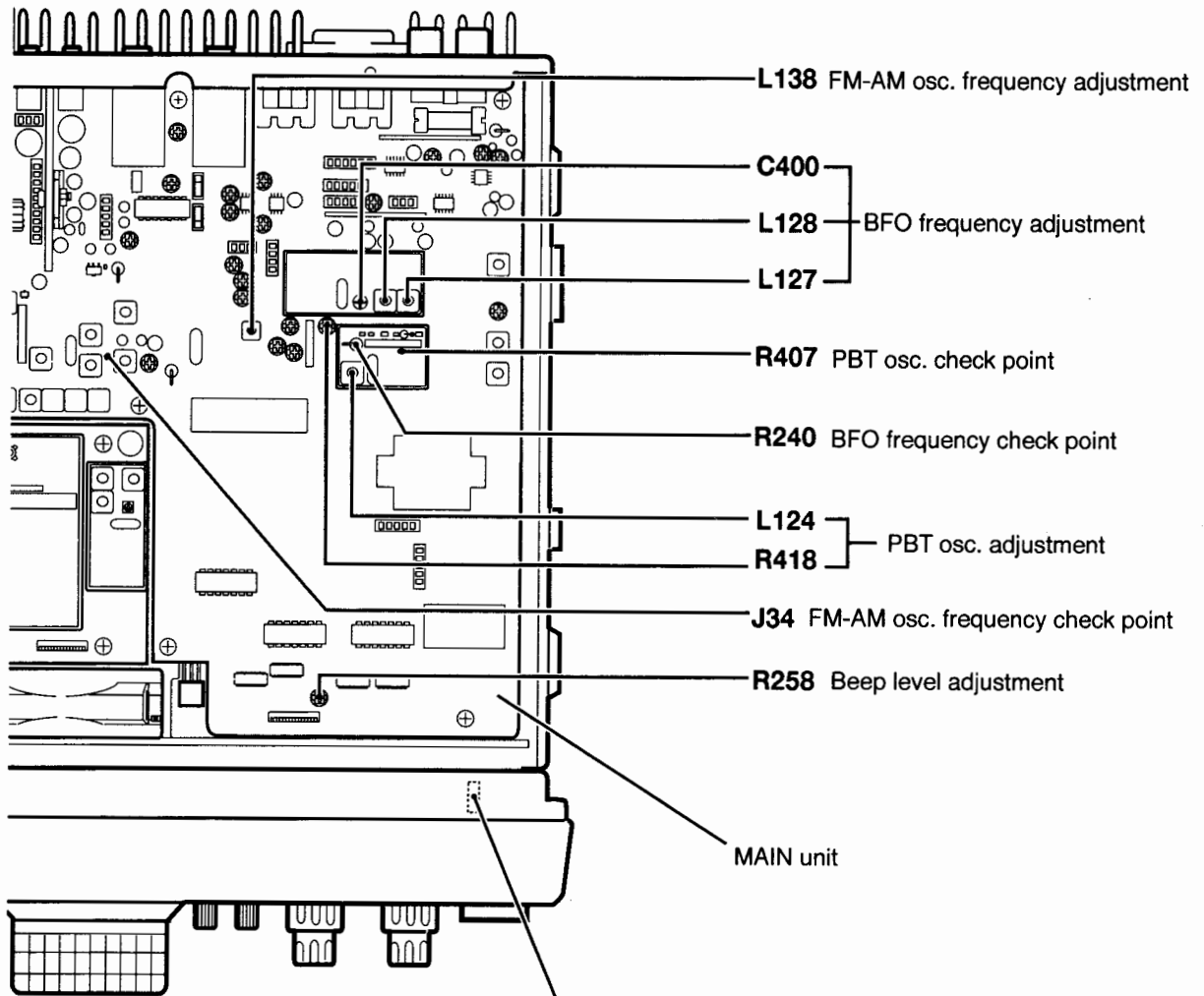


## 5-3 FREQUENCY ADJUSTMENT

**NOTE:** Be careful your frequency counter input circuit, because DC voltages are applied to measurement points. Use coupling condenser, if needed.

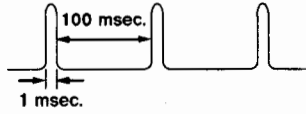
ADJUSTMENT	ADJUSTMENT CONDITIONS	MEASUREMENT		VALUE	ADJUSTMENT POINT	
		UNIT	LOCATION		UNIT	ADJUST
BFO FREQUENCY	1 • Displayed frequency: 14.10000 MHz • Mode : USB • Receiving	MAIN	Connect the frequency counter to R240.	9.01300 MHz	MAIN	C400
	2 • Mode : CW • Transmitting			9.01060 MHz		L128
	3 • Mode : LSB • Receiving			9.01000 MHz		L127
	4 • Mode : CW • Receiving			9.00965–9.00995 MHz		Verify
	5 • Mode : AM • Receiving			No output		
PBT OSC	1 • Displayed frequency: 14.10000 MHz • Mode : USB • [PBT] control : Center • Receiving	MAIN	Connect the frequency counter to R407.	9.46650 MHz	MAIN	L124
	2 • Mode : CW • Receiving			9.46560 MHz		R418
	3 • Mode : AM • Receiving			9.46450–9.46550 MHz		Verify
	4 • Mode : USB • [PBT] control : Max. CW			Higher than 9.46800 MHz		
	5 • Mode : USB • [PBT] control : Max. CCW			Lower than 9.46500 MHz		
FM-AM OSC FREQUENCY	1 • Displayed frequency: 29.10000 MHz • Mode : FM • Transmitting	MAIN	Connect the frequency counter to J34.	9.01150 MHz	MAIN	L138
DIMMER	1 • Receiving	FRONT	Connect the DC voltmeter to "LAMP+" line on the function display (DS1).	11.0 V DC	LOGIC	R218
BEEP LEVEL	1 • Receiving • [AF] control : Center	Top panel	Speaker	Desired beep level. (default setting is at center position)	MAIN	R258

● MAIN AND LOGIC UNITS





## 5-4 RECEIVER ADJUSTMENT

ADJUSTMENT	ADJUSTMENT CONDITIONS	MEASUREMENT		VALUE	ADJUSTMENT POINT	
		UNIT	LOCATION		UNIT	ADJUST
SENSITIVITY	1 <ul style="list-style-type: none"> <li>• Displayed frequency: 14.10000 MHz</li> <li>• Mode : FM</li> <li>• [PREAMP] : ON [ATT] : OFF</li> <li>• [TUNER] : OFF [AGC] : ON (fast)</li> <li>• [NB] : OFF [RIT] : OFF</li> <li>• [SQL] : Max. CCW</li> <li>• [RF GAIN] : Max. CW</li> <li>• Connect the SSG to the selected antenna connector and set as:               <ul style="list-style-type: none"> <li>Frequency : 14.10000 MHz</li> <li>Level : 50 <math>\mu</math>V* ( - 73 dBm)</li> <li>Modulation: FM/1 kHz</li> <li>Deviation : <math>\pm</math>15 kHz</li> </ul> </li> <li>• R205 (MAIN unit) : Max. CCW</li> <li>• Receiving</li> </ul>	MAIN	Connect the digital multimeter or oscilloscope to the cathode of D40.	Maximum voltage	MAIN	Adjust in sequence L35, L37, L38, L39, L41, L42, L43, L89, L90, L91  Repeat the above adj. some times.
TOTAL GAIN	1 <ul style="list-style-type: none"> <li>• Displayed frequency: 14.10000 MHz</li> <li>• Mode : USB</li> <li>• [PRE AMP] : OFF</li> <li>• Connect the SSG to the selected antenna connector and set as:               <ul style="list-style-type: none"> <li>Frequency : 14.1015 MHz</li> <li>Level : 1.0 mV* ( - 47 dBm)</li> <li>Modulation: OFF</li> </ul> </li> </ul>	Rear panel	Connect the AC milli-voltmeter to the [EXT SP] jack with an 8 $\Omega$ load.	1.0 V (0 dB)	Front panel	[AF] control
	2 <ul style="list-style-type: none"> <li>• Set the SSG as:               <ul style="list-style-type: none"> <li>Level : OFF</li> </ul> </li> </ul>			32 mV ( - 30 dB)	MAIN	R205
S-METER	1 <ul style="list-style-type: none"> <li>• Displayed frequency: 14.10000 MHz</li> <li>• Mode : USB</li> <li>• [PREAMP] switch : OFF</li> <li>• Connect the SSG to the selected antenna connector and set as:               <ul style="list-style-type: none"> <li>Level : 50 <math>\mu</math>V* ( - 73 dBm)</li> <li>Modulation: OFF</li> </ul> </li> <li>• Receiving</li> </ul>	Front panel	S-METER	S9	MAIN	R130
	2 <ul style="list-style-type: none"> <li>• Set the SSG as:               <ul style="list-style-type: none"> <li>Level : 50 mV* ( - 13 dBm)</li> </ul> </li> </ul>			S9 + 60 dB		R131
NOISE BLANKER	1 <ul style="list-style-type: none"> <li>• Displayed frequency: 14.10000 MHz</li> <li>• Mode : USB</li> <li>• [NB] switch : OFF</li> <li>• [PRE AMP] switch : ON</li> <li>• R152 (MAIN unit) : Max. CW.</li> <li>• Receiving</li> <li>• Connect the SSG to theselected anetnna connector and set as:               <ul style="list-style-type: none"> <li>Level : 3.2 <math>\mu</math>V* ( - 97 dBm)</li> <li>Modulation: OFF</li> </ul> </li> <li>• Apply the following signal to the SSG's output.</li> </ul> 	MAIN	Connect the oscilloscope to the cathode of D45.	Adjust for maximum waveform on the oscilloscope.	MAIN	L86, L87
	2 <ul style="list-style-type: none"> <li>• [NB] switch : ON</li> <li>• Set the SSG as:               <ul style="list-style-type: none"> <li>Level : 10 <math>\mu</math>V* ( - 87 dBm)</li> <li>Modulation: OFF</li> </ul> </li> <li>• Apply the same signal as shown above.</li> </ul>			Confirm that pulse noise is suppressed.		Verify

\* This output level of the standard signal generator (SSG) is indicated as SSG's open circuit.

CCW : Counterclockwise  
CW : Clockwise

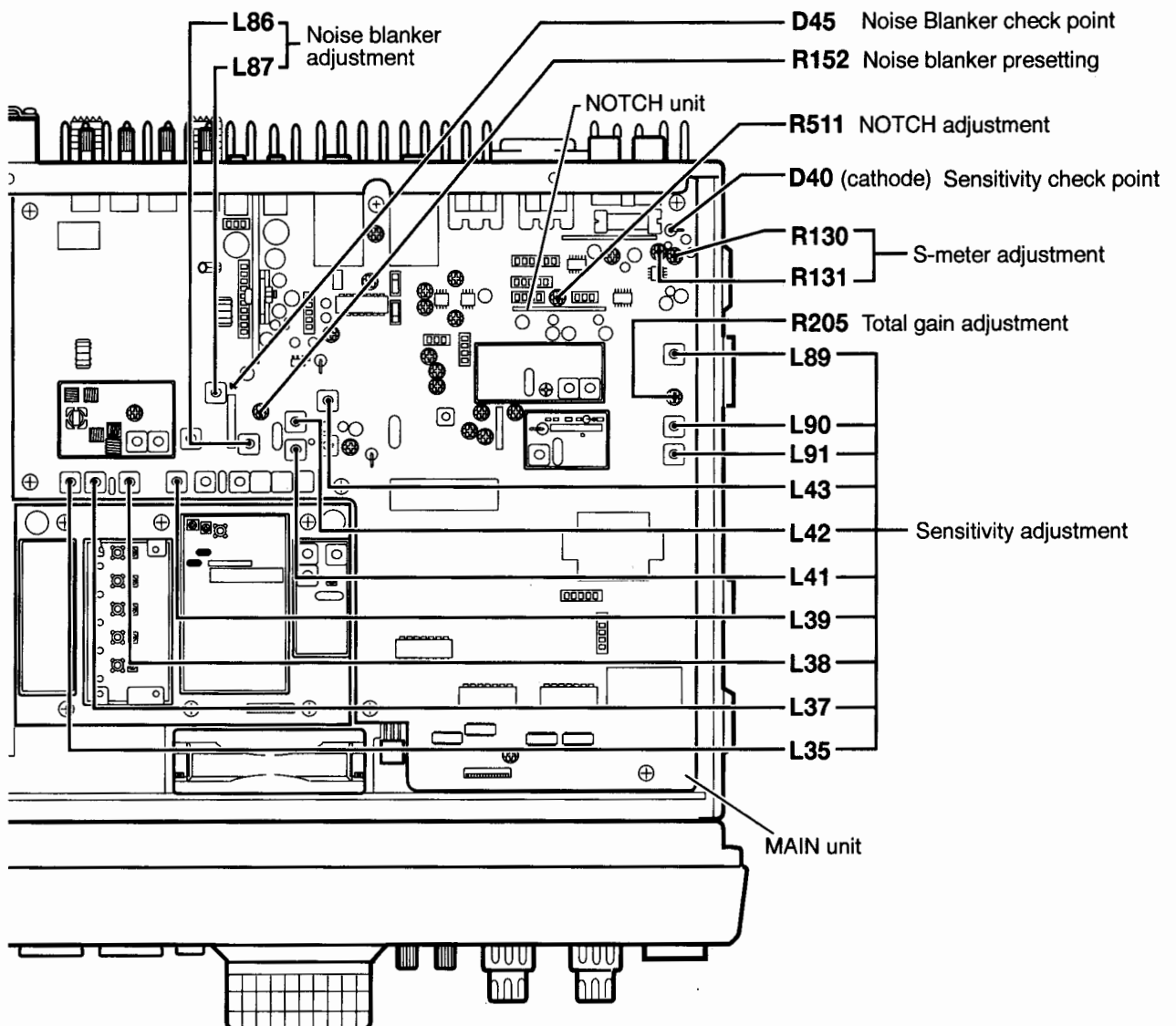
## RECEIVER ADJUSTMENT (CONTINUED)

ADJUSTMENT	ADJUSTMENT CONDITIONS	MEASUREMENT		VALUE	ADJUSTMENT POINT	
		UNIT	LOCATION		UNIT	ADJUST
NOTCH	1 <ul style="list-style-type: none"> <li>• Displayed frequency: 14.10000 MHz</li> <li>• Mode : AM</li> <li>• [PREAMP] switch : OFF</li> <li>• [NB] switch : OFF</li> <li>• [NOTCH] switch : ON</li> <li>• [NOTCH] control : Max. CW</li> <li>• Connect the SSG to the selected antenna connector and set as:                             <ul style="list-style-type: none"> <li>Level : 1.0 mV* (-47 dBm)</li> <li>Modulation : 30% AM/3 kHz</li> </ul> </li> <li>• Receiving</li> </ul>	Rear panel	Connect the AC milli-voltmeter to the [EXT SP] jack with an 8 Ω load.	Minimum voltage	Front panel	[NOTCH] control
				Minimum voltage	MAIN	R511

\* This output level of the standard signal generator (SSG) is indicated as SSG's open circuit.

CW: Clockwise

### ● MAIN AND NOTCH UNITS



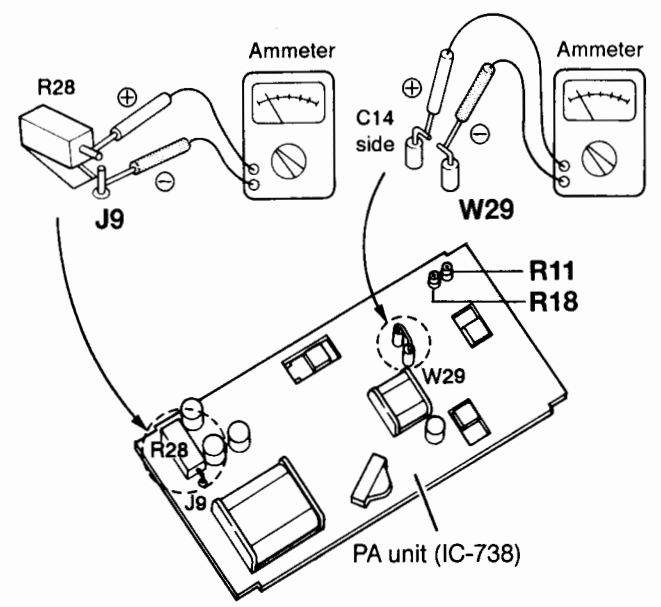
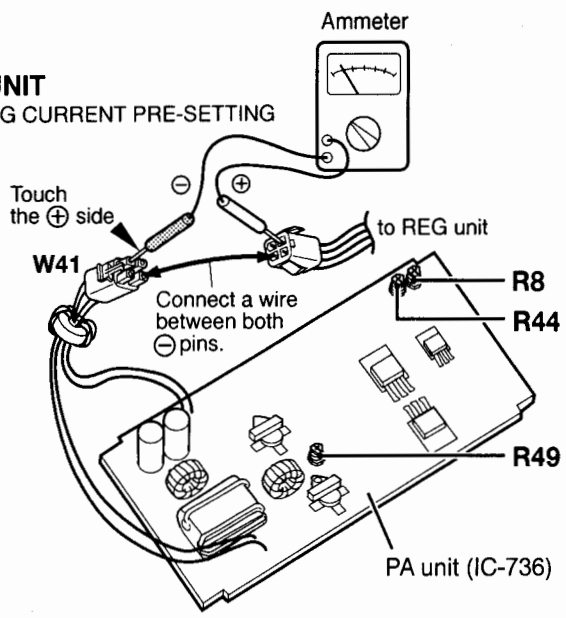
## 5-5 TRANSMITTER ADJUSTMENT

ADJUSTMENT	ADJUSTMENT CONDITIONS	MEASUREMENT		VALUE	ADJUSTMENT POINT					
		UNIT	LOCATION		UNIT	ADJUST				
<b>IC-736</b> IDLING CURRENT ----- ㉓ For driver ----- ㉔ For final amplifier	1	<ul style="list-style-type: none"> <li>• Displayed frequency: 14.10000 MHz</li> <li>• Mode : USB</li> <li>• R8, R44 (PA unit) : Max. CCW</li> <li>• R49 (PA unit) : Center</li> <li>• [RF PWR] control : Max. CW</li> <li>• [MIC] control : Max. CCW</li> <li>• [TUNER] switch : OFF</li> <li>• Transmitting</li> </ul>	PA	Connect the ammeter to W41 connector.	Check the current drain.		Verify			
	2							Increases 200 mA from the value of step 1.	PA	R8
	3									Increases 200 mA from the value of step 2.
NOTE: After adjustment, re-connect W41.										
<b>IC-738</b> IDLING CURRENT ㉓ For driver transistors ----- ㉔ For final transistors	1	<ul style="list-style-type: none"> <li>• Displayed frequency: 14.10000 MHz</li> <li>• Mode : USB</li> <li>• R11, R18 (PA unit) : Max. CCW</li> <li>• [RF PWR] control : Max. CW</li> <li>• [MIC] control : Max. CCW</li> <li>• [TUNER] switch : OFF</li> <li>• Transmitting</li> </ul>	PA	Unsolder W29. Connect the ammeter to the unsoldering points.	300 mA	PA	R11			
	2						Unsolder between R28 and J9. Connect the ammeter to the unsoldering points.	500 mA		R18
	NOTE: After adjustment, re-solder W29 and R28/J9.									
SWR DETECTOR	1	<ul style="list-style-type: none"> <li>• Displayed frequency: 14.10000 MHz</li> <li>• Mode : USB</li> <li>• Ground R44 (MAIN unit)</li> <li>• Connect the audio generator to the microphone connector and set as: 1.5 kHz / 10 mV</li> </ul>	Rear panel	Connect the RF power meter to the selected antenna connector.	100 W	Front panel	[MIC] control			
			MAIN	Connect the digital multi-meter to J2 pin 2.	Minimum voltage	FILTER	C54			
TRANSMIT GAIN	1	<ul style="list-style-type: none"> <li>• Displayed frequency: 14.10000 MHz</li> <li>• Mode : USB</li> <li>• [RF PWR] control : Max. CW</li> <li>• R42, R297, R299, R312 (MAIN unit): Max. CW</li> <li>• R512 (MAIN unit) : Max. CCW</li> <li>• Connect the audio generator to the microphone connector and set as: 1.5 kHz / 3 mV</li> <li>• Transmitting</li> </ul>	Rear panel	Connect the RF power meter to the selected antenna connector.	50 W	Front panel	[MIC] control			
	2				Maximum	MAIN	L26, L14, L13, L22, L23			
	3				Maximum		L22, L23			
	4				50 W		R42			
<ul style="list-style-type: none"> <li>• Displayed frequency: 29.00000 MHz</li> <li>• Mode : FM</li> <li>• Connect the audio generator to the microphone connector and set as: 1 kHz / 30 mV</li> <li>• [MIC] control : Max. CW</li> <li>• [RF PWR] : Max. CW</li> </ul>										

CCW: Counterclockwise, CW: Clockwise



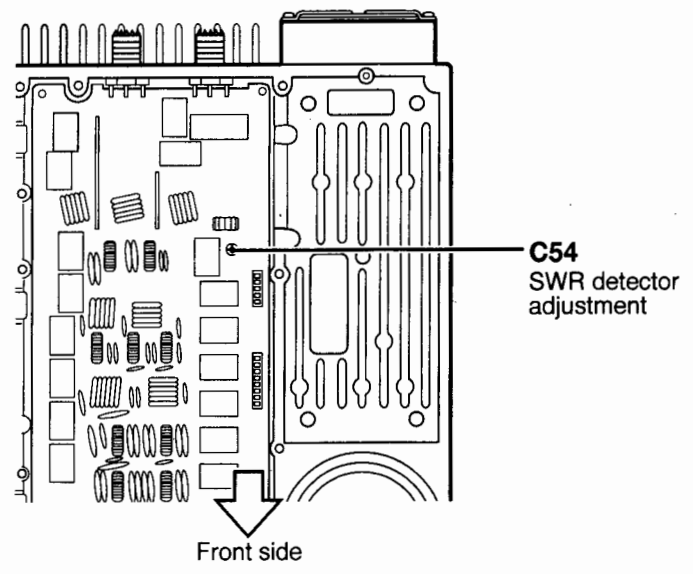
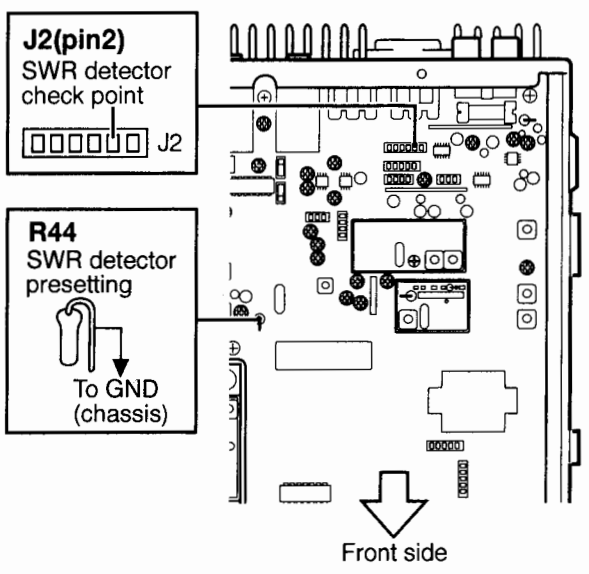
**• PA UNIT**  
IDLING CURRENT PRE-SETTING



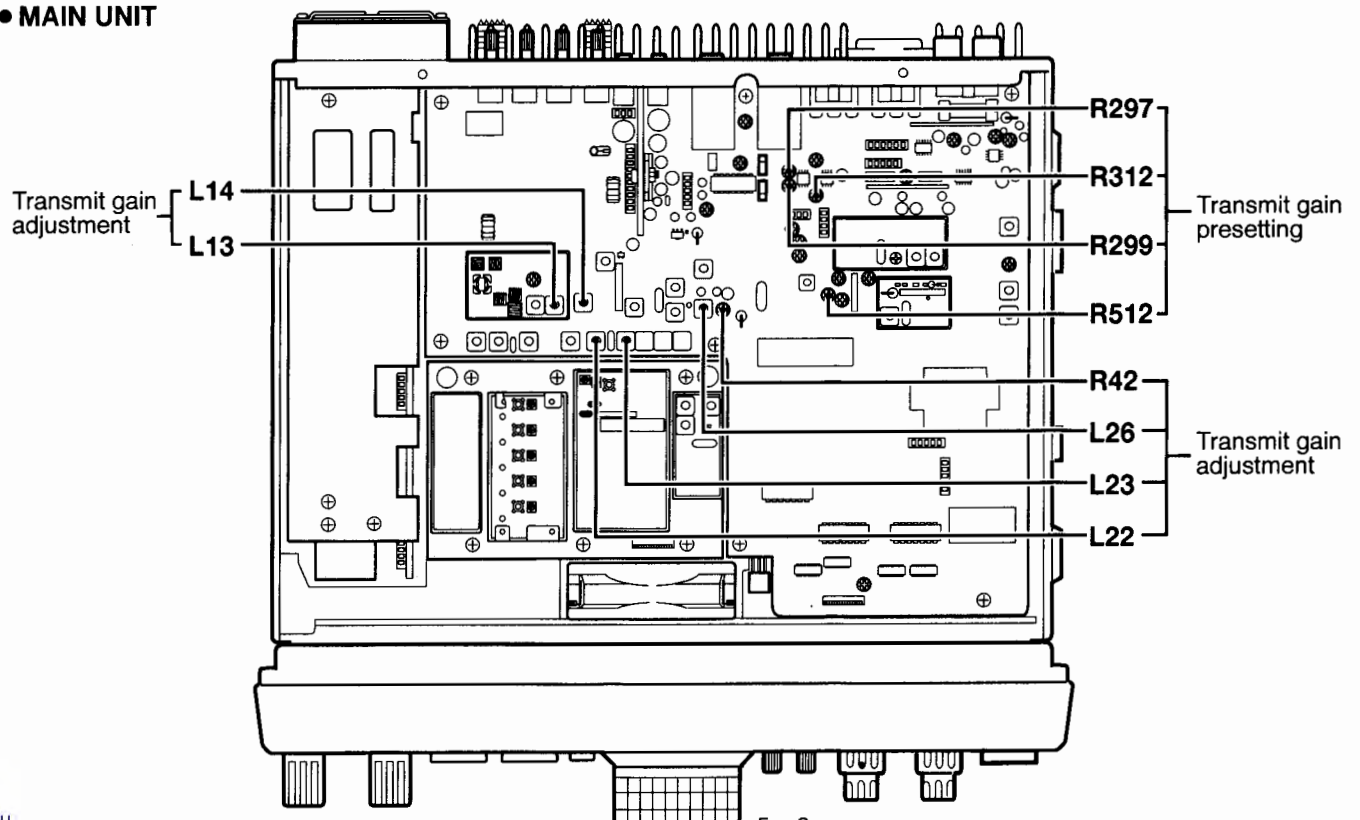
**• MAIN AND FILTER UNITS**

**MAIN unit (Top side)**

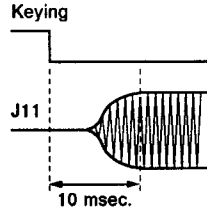
**FILTER unit (Bottom side)**



**• MAIN UNIT**

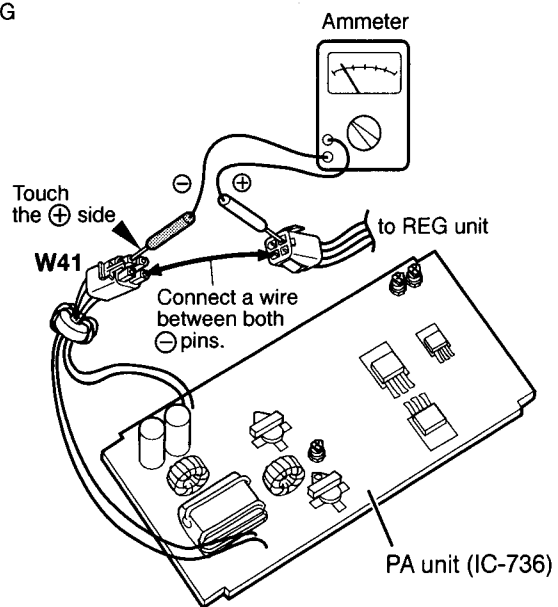


## TRANSMITTER ADJUSTMENT (CONTINUED)

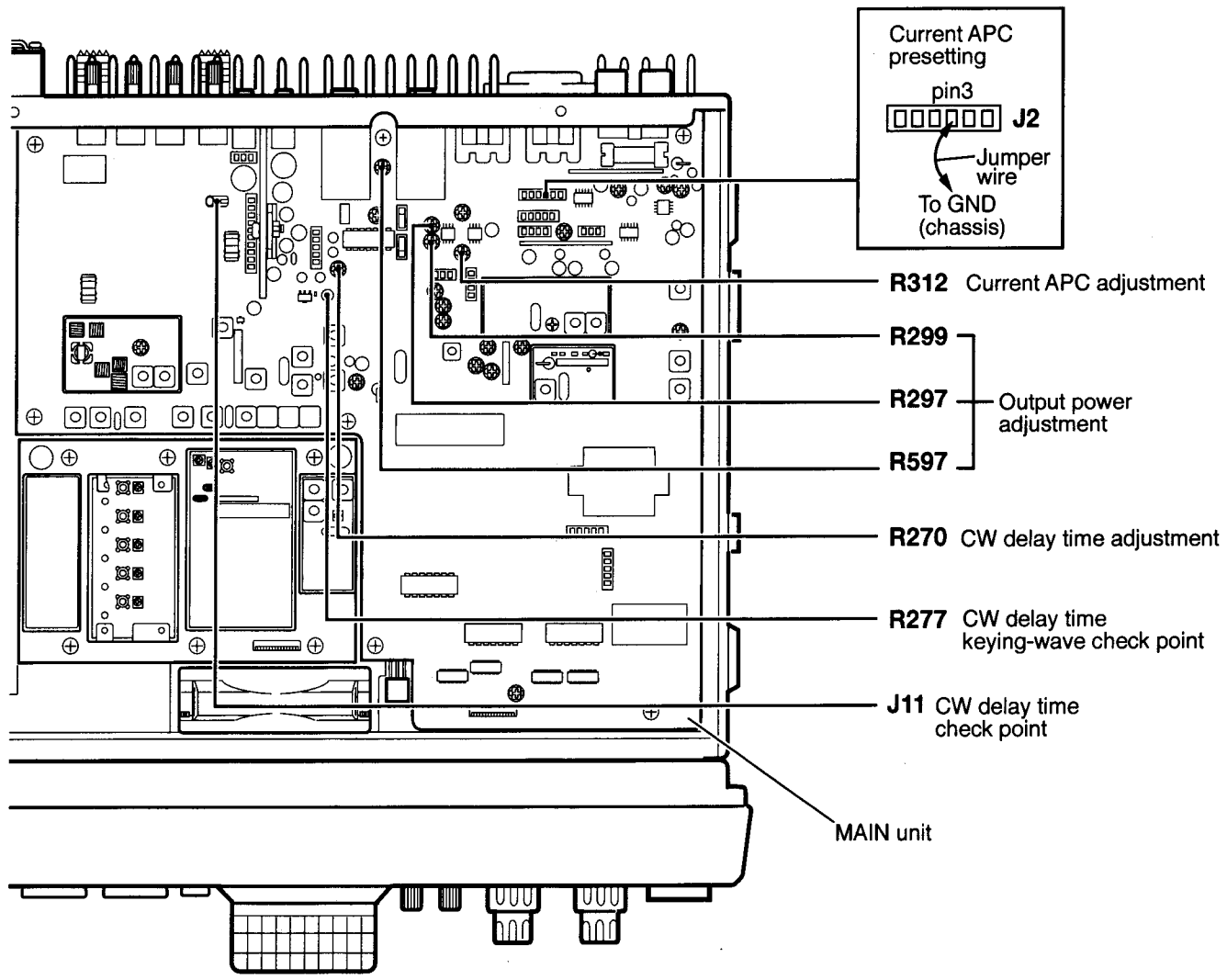
ADJUSTMENT	ADJUSTMENT CONDITIONS	MEASUREMENT		VALUE	ADJUSTMENT POINT	
		UNIT	LOCATION		UNIT	ADJUST
CW DELAY TIME	1 <ul style="list-style-type: none"> <li>• Displayed frequency: 14.10000 MHz</li> <li>• Mode : CW</li> <li>• [RF PWR] control : Max. CCW</li> <li>• [KEY SPEED] control: Max. CW</li> <li>• Connect a padle to the [ELEC-KEY] jack and key down.</li> <li>• Transmitting</li> </ul>	MAIN	Connect the oscilloscope to J11.  Also, connect the oscilloscope's trigger input to R277	Adjust as follows:  	MAIN	R270
OUTPUT POWER	1 <ul style="list-style-type: none"> <li>• Displayed frequency: 14.10000 MHz</li> <li>• Mode : CW</li> <li>• [TUNER] switch : OFF</li> <li>• [RF PWR] control : Max. CW</li> <li>• Transmitting</li> <li>• Connect a keyer to the [KEY] jack and key down.</li> </ul>	Rear panel	Connect the RF power meter to the selected antenna connector.	100 W	MAIN	R297
	2 <ul style="list-style-type: none"> <li>• IC-736 only</li> <li>• Displayed frequency: 50.00000 MHz</li> <li>• Mode : CW</li> </ul>			100 W		R597
	3 <ul style="list-style-type: none"> <li>• Displayed frequency: 14.10000 MHz</li> <li>• Mode : AM</li> </ul>			40 W		R299
	4 <ul style="list-style-type: none"> <li>• Mode : CW</li> <li>• [RF PWR] control : Max. CCW</li> </ul>			1-5 W		Verify
	5			Repeat steps 1-4 several times.		
IC-736 CURRENT APC	1 <ul style="list-style-type: none"> <li>• Displayed frequency: 24.90000 MHz</li> <li>• Mode : CW</li> <li>• [TUNER] switch : OFF</li> <li>• [RF PWR] control : Max. CW</li> <li>• Ground J2 pin 3 (MAIN unit)</li> <li>• Transmitting</li> <li>• Connect a keyer to the [KEY] jack and key down.</li> </ul>	Rear panel	Connect the ammeter to W41	10.5 A	MAIN	R312
	2	After adjustment, Replace J2 and W41.				
IC-738 CURRENT APC	1 <ul style="list-style-type: none"> <li>• Displayed frequency: 14.10000 MHz</li> <li>• Mode : CW</li> <li>• [TUNER] switch : OFF</li> <li>• [RF PWR] control : Max. CW</li> <li>• Ground J2 pin 3 (MAIN unit)</li> <li>• Transmitting</li> <li>• Connect a keyer to the [KEY] jack and key down.</li> </ul>	Rear panel	Connect the ammeter between the DC power supply and IC-738.	22 A	MAIN	R312
	2	After adjustment, replace J2.				

CCW: Counterclockwise, CW: Clockwise

● **PA UNIT** (IC-736 only)  
CURRENT APC PRE-SETTING



● **MAIN UNIT**



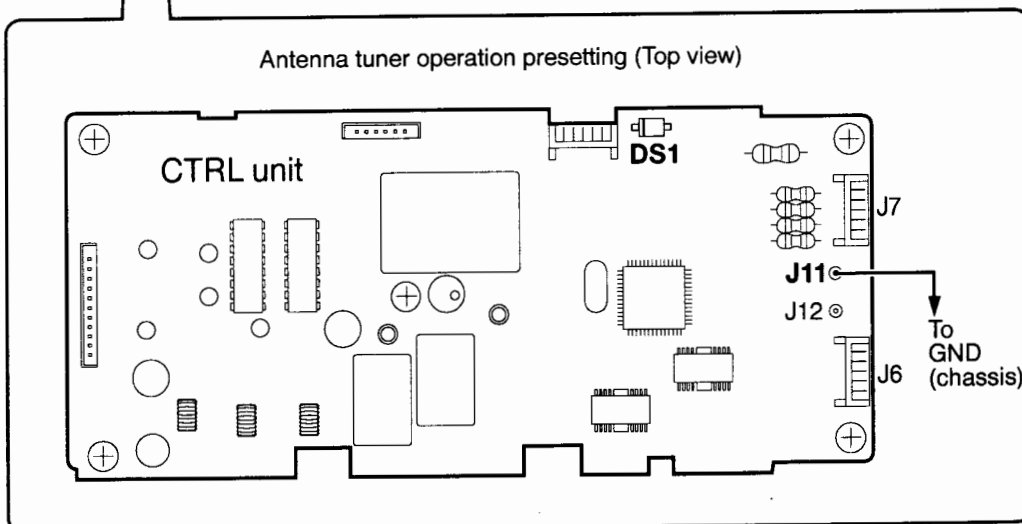
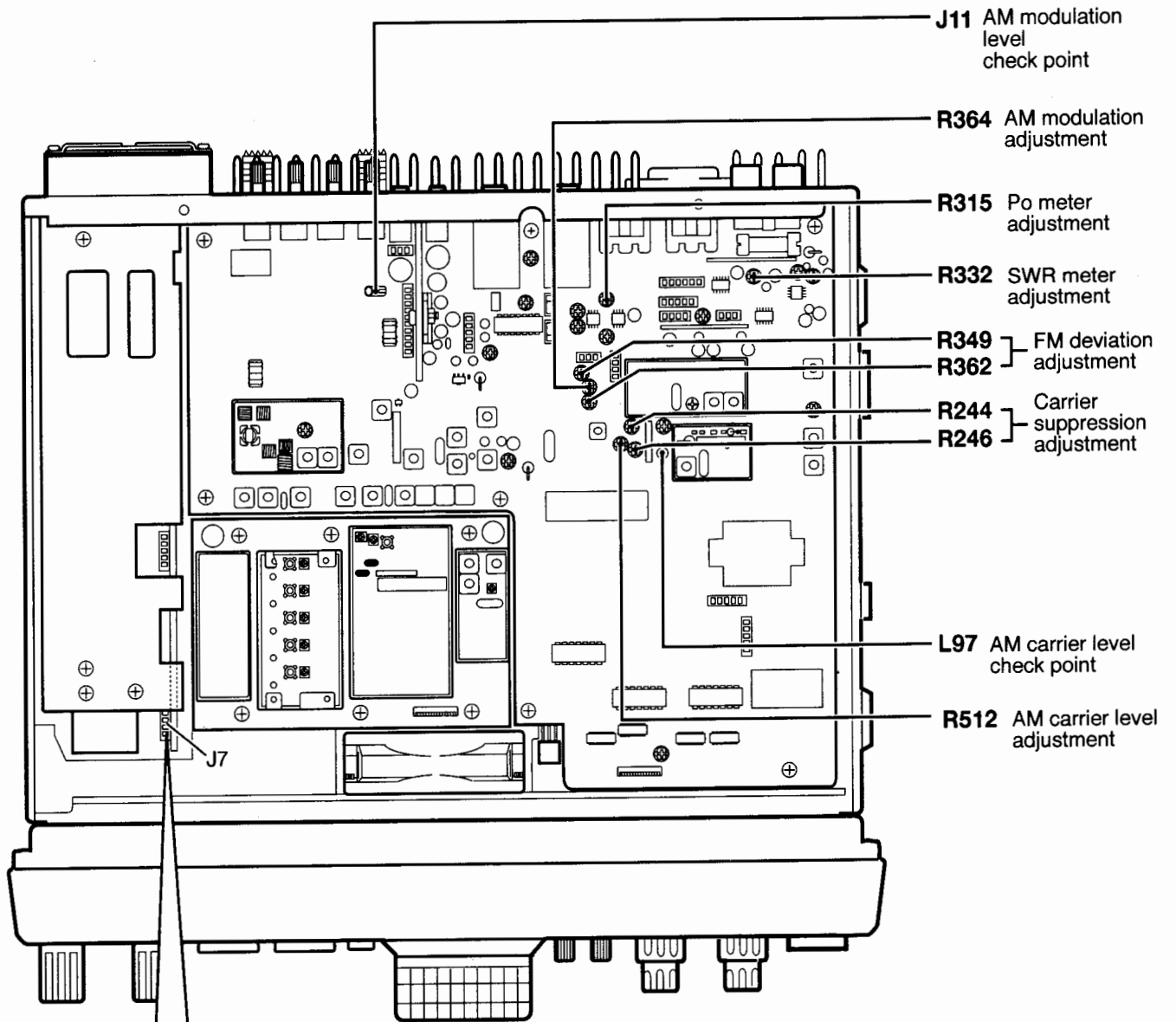
## TRANSMITTER ADJUSTMENT (CONTINUED)

ADJUSTMENT	ADJUSTMENT CONDITIONS	MEASUREMENT		VALUE	ADJUSTMENT POINT	
		UNIT	LOCATION		UNIT	ADJUST
Po METER	1 <ul style="list-style-type: none"> <li>• Displayed frequency: 14.10000 MHz</li> <li>• Mode : CW</li> <li>• [METER] switch : Po</li> <li>• [RF PWR] control : Max. CW</li> <li>• Transmitting</li> <li>• Connect a keyer to the [KEY] jack and key down.</li> </ul>	Front panel	S-meter (Po scale)	100%	MAIN	R315
SWR METER	1 <ul style="list-style-type: none"> <li>• Displayed frequency: 14.1000 MHz</li> <li>• Mode : CW</li> <li>• [METER] switch : Swr</li> <li>• Connect a 100 Ω dummy load to the selected antenna connector.</li> <li>• Transmitting</li> <li>• Connect a keyer to the [KEY] jack and key down.</li> </ul>	Front panel	S-meter (SWR scale)	SWR 2	MAIN	R332
CARRIER SUPPRESSION	1 <ul style="list-style-type: none"> <li>• Displayed frequency: 14.10000 MHz</li> <li>• Mode : USB and LSB</li> <li>• [MIC] control : Max. CCW</li> <li>• Apply no signal to the microphone connector.</li> <li>• Transmitting</li> </ul>	Rear panel	Connect the spectrum analyzer to the selected antenna connector via the attenuator.	Minimum carrier level (Less than - 50 dB)	MAIN	Alternately adjust R244, R246
FM DEVIATION	1 <ul style="list-style-type: none"> <li>• Displayed frequency: 29.10000 MHz</li> <li>• Mode : FM</li> <li>• [MIC] control : Center</li> <li>• Connect the audio generator to the microphone connector and set as: 1 kHz / 30 mV</li> <li>• Set the FM deviation meter as: <ul style="list-style-type: none"> <li>HPF : 50 Hz</li> <li>LPF : 20 kHz</li> <li>De-emphasis : OFF</li> <li>Detector : (P - P)/2</li> </ul> </li> <li>• Transmitting</li> </ul>	Rear panel	Connect the FM deviation meter to the selected antenna connector via the attenuator.	±4.8 kHz	MAIN	R362
	2 <ul style="list-style-type: none"> <li>• [MIC] control : Center</li> <li>• Set the audio generator as: 1 kHz / 3 mV</li> </ul>			±3.5 kHz		R349
	3 Repeat steps 1 and 2 several times.					
AM CARRIER LEVEL	1 <ul style="list-style-type: none"> <li>• Displayed frequency: 29.10000 MHz</li> <li>• Mode : AM</li> <li>• Transmitting</li> </ul>	MAIN	Connect the oscilloscope to L97.	200 mV p-p	MAIN	R512
AM MODULATION	1 <ul style="list-style-type: none"> <li>• Displayed frequency: 29.10000 MHz</li> <li>• Mode : AM</li> <li>• [MIC] control : Max. CW</li> <li>• Connect the audio generator to the microphone connector and set as: 3 mV</li> <li>• Transmitting</li> </ul>	MAIN	Connect the modulation analyzer to J11	Maximum modulation level	Audio generator	output frequency
	[MIC] control : Center			70% modulation	MAIN	R364
ANTENNA TUNER OPERATION	1 <ul style="list-style-type: none"> <li>• Connect a 50 Ω dummy load to the selected antenna connector.</li> <li>• Ground J11 (CTRL unit).</li> <li>• Select antenna tuner check condition: Turn power ON while pushing [ANT], [ENT] and [TUNER] switches.</li> </ul>	CTRL unit	DS1	Illuminates, then goes off (after transmission).		Verify
						<ul style="list-style-type: none"> <li>• If DS1 illuminates continuously after transmission: Check the SWR detector circuit.</li> <li>• If DS1 flashes: Check the "Φ" detector or "R" detector circuits.</li> </ul>

CCW: Counterclockwise, CW: Clockwise



● MAIN AND CTRL UNITS



# SECTION 6 PARTS LIST

## [FRONT UNIT]

REF. NO.	ORDER NO.	DESCRIPTION	
ME1	5510000410	METER	ME-33
R1	7010004190	RESISTOR	R20J 1 kΩ
DS1	5080000310	LAMP	HRS-4200A H-9 L150
W4	7120000010	JUMPER	JPW 02A
S1	2250000110	ENCODER	SW-147 (EC24B50B)
S3	2280001580	SWITCH	JPZ2120-0101 (TV-3) [IC-736 USA, IC-738]
	2280001260	SWITCH	SW-118 (SDDFA3) [IC-736 EUR]
EP1	6450001230	E.OTHER	HLJ0999-01-480

## [LOGIC UNIT]

REF. NO.	ORDER NO.	DESCRIPTION	
IC1	1130004190	S.IC	LC7582A
IC2	1130004190	S.IC	LC7582A
IC3	1140000930	S.IC	HD64180R1F6
IC4	1140003842	IC	SC-1259-2 [IC-736]
	1140004400	IC	SC-1298 [IC-738 OTH]
	1140004590	IC	SC-1305 [IC-738 FRA]
IC5	1130004050	S.IC	LC3517AML-15-TRM
IC6	1140003230	S.IC	TMP82C265BF-2
IC7	1130005890	S.IC	μPD4024BG-T1
IC8	1130005890	S.IC	μPD4024BG-T1
IC9	1130004921	S.IC	TC74HC04AF(TP1)
IC10	1130003830	S.IC	TC7S04F (TE85R)
IC11	1130005251	S.IC	TC74HC08AF(TP1)
IC12	1130005311	S.IC	TC74HC32AF(TP1)
IC13	1130001920	S.IC	μPD4071BG-T1
IC14	1130001920	S.IC	μPD4071BG-T1
IC15	1130001920	S.IC	μPD4071BG-T1
IC16	1130002660	S.IC	μPD4030BG-T1
IC17	1130002660	S.IC	μPD4030BG-T1
IC18	1130001230	S.IC	μPD4001BG-T1
IC19	1130001230	S.IC	μPD4001BG-T1
IC20	1110001550	S.IC	S-8054ALB-LM-T1
IC21	1180000420	S.IC	TA78L05F (TE12R)
IC22	1130007700	S.IC	BU4094BCF-T1
Q1	1530002880	S.TRANSISTOR	2SC3324-BL (TE85R)
Q2	1530002060	S.TRANSISTOR	2SC4081 T107 R
Q3	1530002080	S.TRANSISTOR	2SC4081 T107 R
Q4	1530002060	S.TRANSISTOR	2SC4081 T107 R
Q5	1510000510	S.TRANSISTOR	2SA1576 T107 R
Q6	1510000510	S.TRANSISTOR	2SA1576 T107 R
Q7	1510000510	S.TRANSISTOR	2SA1576 T107 R
Q8	1530002060	S.TRANSISTOR	2SC4081 T107 R
Q9	1510000510	S.TRANSISTOR	2SA1576 T107 R
Q10	1530002060	S.TRANSISTOR	2SC4081 T107 R
Q11	1590000680	S.TRANSISTOR	DTC114EU T107
Q12	1590000680	S.TRANSISTOR	DTC114EU T107
Q13	1590000680	S.TRANSISTOR	DTC114EU T107
Q14	1590000680	S.TRANSISTOR	DTC114EU T107
Q15	1590000680	S.TRANSISTOR	DTC114EU T107
Q16	1590000680	S.TRANSISTOR	DTC114EU T107
Q17	1590000680	S.TRANSISTOR	DTC114EU T107
Q18	1590000680	S.TRANSISTOR	DTC114EU T107
Q19	1590000680	S.TRANSISTOR	DTC114EU T107
Q20	1590000680	S.TRANSISTOR	DTC114EU T107

## [LOGIC UNIT]

REF. NO.	ORDER NO.	DESCRIPTION	
Q21	1590000680	S.TRANSISTOR	DTC114EU T107
Q22	1530002080	S.TRANSISTOR	2SC4081 T107 R
Q23	1510000510	S.TRANSISTOR	2SA1576 T107 R
Q24	1530002080	S.TRANSISTOR	2SC4081 T107 R
Q25	1530002080	S.TRANSISTOR	2SC4081 T107 R
Q26	1530002080	S.TRANSISTOR	2SC4081 T107 R
Q27	1530002080	S.TRANSISTOR	2SC4081 T107 R
Q28	1590000680	S.TRANSISTOR	DTC114EU T107
Q29	1590000680	S.TRANSISTOR	DTC114EU T107
Q30	1590001330	S.TRANSISTOR	DTA114EU T107
Q201	1530002060	S.TRANSISTOR	2SC4081 T107 R
Q202	1530002060	S.TRANSISTOR	2SC4081 T107 R
Q203	1530003090	S.TRANSISTOR	2SC4213-B (TE85R)
D1	1730000030	S.ZENER	RD5.6M-T2B2
D2	1750000160	S.DIODE	DA114 T107
D3	1750000160	S.DIODE	DA114 T107
D4	1750000160	S.DIODE	DA114 T107
D5	1750000160	S.DIODE	DA114 T107
D6	1750000160	S.DIODE	DA114 T107
D7	1750000160	S.DIODE	DA114 T107
D8	1750000160	S.DIODE	DA114 T107
D9	1750000160	S.DIODE	DA114 T107
D10	1750000160	S.DIODE	DA114 T107
D11	1750000160	S.DIODE	DA114 T107
D12	1750000160	S.DIODE	DA114 T107
D13	1750000160	S.DIODE	DA114 T107
D15	1710000160	DIODE	1SS133
D19	1750000160	S.DIODE	DA114 T107
D20	1750000160	S.DIODE	DA114 T107
D21	1750000160	S.DIODE	DA114 T107
D201	1790000490	S.DIODE	HSM88AS-TR
X1	6050005760	XTAL	CR-276
L1	6200003260	S.COIL	NL 322522T-101J
L2	6200003260	S.COIL	NL 322522T-101J
L3	6200003260	S.COIL	NL 322522T-101J
L4	6200003260	S.COIL	NL 322522T-101J
L5	6200003260	S.COIL	NL 322522T-101J
L6	6200003260	S.COIL	NL 322522T-101J
L7	6200003260	S.COIL	NL 322522T-101J
L8	6200003240	S.COIL	NL 322522T-221J
L9	6200003240	S.COIL	NL 322522T-221J
L10	6910003570	COIL	2943-666663
L11	6910003570	COIL	2943-666663
L12	6910000670	COIL	BL01RN1-A62-001
L13	2040000490	COIL	EXC-ELDR25C
L14	6180000990	COIL	LAL 04NA 101K
R1	7030003550	S.RESISTOR	ERJ3GEYJ 822 V (8.2 kΩ)
R2	7030003490	S.RESISTOR	ERJ3GEYJ 272 V (2.7 kΩ)
R3	7030003440	S.RESISTOR	ERJ3GEYJ 102 V (1 kΩ)
R4	7030003360	S.RESISTOR	ERJ3GEYJ 221 V (220 Ω)
R5	7010004720	RESISTOR	R50XJ 100 Ω
R6	7010004720	RESISTOR	R50XJ 100 Ω
R7	7030003640	S.RESISTOR	ERJ3GEYJ 473 V (47 kΩ)
R8	7030003640	S.RESISTOR	ERJ3GEYJ 473 V (47 kΩ)
R9	7030003320	S.RESISTOR	ERJ3GEYJ 101 V (100 Ω)
R10	7210002190	VARIABLE	EVU-FLAEA4 B14 (10KB)
R11	7210002190	VARIABLE	EVU-FLAEA4 B14 (10KB)
R12	7030003280	S.RESISTOR	ERJ3GEYJ 470 V (47 Ω)
R13	7030003440	S.RESISTOR	ERJ3GEYJ 102 V (1 kΩ)
R14	7030003520	S.RESISTOR	ERJ3GEYJ 472 V (4.7 kΩ)
R15	7030003400	S.RESISTOR	ERJ3GEYJ 471 V (470 Ω)
R16	7030003590	S.RESISTOR	ERJ3GEYJ 183 V (18 kΩ)

S.=Surface mount

## [LOGIC UNIT]

REF. NO.	ORDER NO.	DESCRIPTION
R17	7030003400	S.RESISTOR ERJ3GEYJ 471 V (470 Ω)
R18	7030003440	S.RESISTOR ERJ3GEYJ 102 V (1 kΩ)
R19	7030003680	S.RESISTOR ERJ3GEYJ 104 V (100 kΩ)
R20	7010004690	RESISTOR R50XJ 47 Ω
R21	7030003640	S.RESISTOR ERJ3GEYJ 473 V (47 kΩ)
R22	7030003480	S.RESISTOR ERJ3GEYJ 222 V (2.2 kΩ)
R23	7030003400	S.RESISTOR ERJ3GEYJ 471 V (470 Ω)
R24	7030003640	S.RESISTOR ERJ3GEYJ 473 V (47 kΩ)
R25	7030003640	S.RESISTOR ERJ3GEYJ 473 V (47 kΩ)
R26	7030003640	S.RESISTOR ERJ3GEYJ 473 V (47 kΩ)
R27	7030003640	S.RESISTOR ERJ3GEYJ 473 V (47 kΩ)
R28	7030003680	S.RESISTOR ERJ3GEYJ 104 V (100 kΩ)
R29	7510000310	THERMISTOR ERT-D2ZHL 802S
R30	7030003580	S.RESISTOR ERJ3GEYJ 103 V (10 kΩ)
R31	7030003520	S.RESISTOR ERJ3GEYJ 472 V (4.7 kΩ)
R32	7030003640	S.RESISTOR ERJ3GEYJ 473 V (47 kΩ)
R33	7030003640	S.RESISTOR ERJ3GEYJ 473 V (47 kΩ)
R34	7030003640	S.RESISTOR ERJ3GEYJ 473 V (47 kΩ)
R35	7030003640	S.RESISTOR ERJ3GEYJ 473 V (47 kΩ)
R36	7030003680	S.RESISTOR ERJ3GEYJ 104 V (100 kΩ)
R37	7030003570	S.RESISTOR ERJ3GEYJ 123 V (12 kΩ)
R38	7030003580	S.RESISTOR ERJ3GEYJ 103 V (10 kΩ)
R39	7030003440	S.RESISTOR ERJ3GEYJ 102 V (1 kΩ)
R40	7030003680	S.RESISTOR ERJ3GEYJ 104 V (100 kΩ)
R41	7030003580	S.RESISTOR ERJ3GEYJ 103 V (10 kΩ)
R43	7030003640	S.RESISTOR ERJ3GEYJ 473 V (47 kΩ)
R44	7030003680	S.RESISTOR ERJ3GEYJ 104 V (100 kΩ)
R45	7030003620	S.RESISTOR ERJ3GEYJ 333 V (33 kΩ)
R46	7030003540	S.RESISTOR ERJ3GEYJ 682 V (6.8 kΩ)
R47	7030003590	S.RESISTOR ERJ3GEYJ 183 V (18 kΩ)
R48	7030003720	S.RESISTOR ERJ3GEYJ 224 V (220 kΩ)
R49	7030003680	S.RESISTOR ERJ3GEYJ 104 V (100 kΩ)
R50	7030003680	S.RESISTOR ERJ3GEYJ 104 V (100 kΩ)
R51	7030003800	S.RESISTOR ERJ3GEYJ 105 V (1 MΩ)
R52	7030003580	S.RESISTOR ERJ3GEYJ 153 V (15 kΩ)
R53	7030003600	S.RESISTOR ERJ3GEYJ 223 V (22 kΩ)
R54	7030003680	S.RESISTOR ERJ3GEYJ 104 V (100 kΩ)
R55	7030003720	S.RESISTOR ERJ3GEYJ 224 V (220 kΩ)
R56	7030003680	S.RESISTOR ERJ3GEYJ 104 V (100 kΩ)
R57	7030003800	S.RESISTOR ERJ3GEYJ 105 V (1 MΩ)
R58	7030003580	S.RESISTOR ERJ3GEYJ 153 V (15 kΩ)
R59	7030003680	S.RESISTOR ERJ3GEYJ 104 V (100 kΩ)
R60	7030003720	S.RESISTOR ERJ3GEYJ 224 V (220 kΩ)
R61	7030003680	S.RESISTOR ERJ3GEYJ 104 V (100 kΩ)
R62	7030003800	S.RESISTOR ERJ3GEYJ 105 V (1 MΩ)
R63	7030003580	S.RESISTOR ERJ3GEYJ 153 V (15 kΩ)
R64	7030003600	S.RESISTOR ERJ3GEYJ 223 V (22 kΩ)
R65	7030003680	S.RESISTOR ERJ3GEYJ 104 V (100 kΩ)
R66	7030003720	S.RESISTOR ERJ3GEYJ 224 V (220 kΩ)
R67	7030003680	S.RESISTOR ERJ3GEYJ 104 V (100 kΩ)
R68	7030003800	S.RESISTOR ERJ3GEYJ 105 V (1 MΩ)
R69	7030003580	S.RESISTOR ERJ3GEYJ 153 V (15 kΩ)
R70	7030003580	S.RESISTOR ERJ3GEYJ 103 V (10 kΩ)
R71	7030003840	S.RESISTOR ERJ3GEYJ 225 V (2.2 MΩ)
R72	7030003640	S.RESISTOR ERJ3GEYJ 473 V (47 kΩ)
R73	7030003640	S.RESISTOR ERJ3GEYJ 473 V (47 kΩ)
R74	7030003480	S.RESISTOR ERJ3GEYJ 222 V (2.2 kΩ)
R75	7030003590	S.RESISTOR ERJ3GEYJ 183 V (18 kΩ)
R76	7030003630	S.RESISTOR ERJ3GEYJ 393 V (39 kΩ)
R77	7030003640	S.RESISTOR ERJ3GEYJ 473 V (47 kΩ)
R78	7030003640	S.RESISTOR ERJ3GEYJ 473 V (47 kΩ)
R79	7030003800	S.RESISTOR ERJ3GEYJ 105 V (1 MΩ)
R80	7030003640	S.RESISTOR ERJ3GEYJ 473 V (47 kΩ)
R81	7030003580	S.RESISTOR ERJ3GEYJ 103 V (10 kΩ)
R82	7030003640	S.RESISTOR ERJ3GEYJ 473 V (47 kΩ)
R83	7030003580	S.RESISTOR ERJ3GEYJ 103 V (10 kΩ)
R84	7030003640	S.RESISTOR ERJ3GEYJ 473 V (47 kΩ)
R85	7030003640	S.RESISTOR ERJ3GEYJ 473 V (47 kΩ)
R86	7030003440	S.RESISTOR ERJ3GEYJ 102 V (1 kΩ)
R87	7030003440	S.RESISTOR ERJ3GEYJ 102 V (1 kΩ)
R88	7030003440	S.RESISTOR ERJ3GEYJ 102 V (1 kΩ)
R90	7030003440	S.RESISTOR ERJ3GEYJ 102 V (1 kΩ)
R91	7030003440	S.RESISTOR ERJ3GEYJ 102 V (1 kΩ)
R92	7030003440	S.RESISTOR ERJ3GEYJ 102 V (1 kΩ)
R93	7030003440	S.RESISTOR ERJ3GEYJ 102 V (1 kΩ)
R94	7030003440	S.RESISTOR ERJ3GEYJ 102 V (1 kΩ)

## [LOGIC UNIT]

REF. NO.	ORDER NO.	DESCRIPTION
R95	7030003440	S.RESISTOR ERJ3GEYJ 102 V (1 kΩ)
R96	7030003440	S.RESISTOR ERJ3GEYJ 102 V (1 kΩ)
R97	7030003440	S.RESISTOR ERJ3GEYJ 102 V (1 kΩ)
R98	7030003440	S.RESISTOR ERJ3GEYJ 102 V (1 kΩ)
R99	7030003640	S.RESISTOR ERJ3GEYJ 473 V (47 kΩ)
R100	7030003440	S.RESISTOR ERJ3GEYJ 102 V (1 kΩ)
R101	7030003640	S.RESISTOR ERJ3GEYJ 473 V (47 kΩ)
R102	7030003440	S.RESISTOR ERJ3GEYJ 102 V (1 kΩ)
R103	7030003640	S.RESISTOR ERJ3GEYJ 473 V (47 kΩ)
R104	7030003440	S.RESISTOR ERJ3GEYJ 102 V (1 kΩ)
R105	7030003640	S.RESISTOR ERJ3GEYJ 473 V (47 kΩ)
R106	7030003440	S.RESISTOR ERJ3GEYJ 102 V (1 kΩ)
R107	7030003640	S.RESISTOR ERJ3GEYJ 473 V (47 kΩ)
R108	7030003440	S.RESISTOR ERJ3GEYJ 102 V (1 kΩ)
R109	7030003640	S.RESISTOR ERJ3GEYJ 473 V (47 kΩ)
R110	7030003440	S.RESISTOR ERJ3GEYJ 102 V (1 kΩ)
R111	7030003640	S.RESISTOR ERJ3GEYJ 473 V (47 kΩ)
R112	7030003440	S.RESISTOR ERJ3GEYJ 102 V (1 kΩ)
R113	7030003640	S.RESISTOR ERJ3GEYJ 473 V (47 kΩ)
R114	7030003440	S.RESISTOR ERJ3GEYJ 102 V (1 kΩ)
R115	7030003440	S.RESISTOR ERJ3GEYJ 102 V (1 kΩ)
R116	7030003440	S.RESISTOR ERJ3GEYJ 102 V (1 kΩ)
R117	7030003440	S.RESISTOR ERJ3GEYJ 102 V (1 kΩ)
R118	7030003440	S.RESISTOR ERJ3GEYJ 102 V (1 kΩ)
R119	7030003440	S.RESISTOR ERJ3GEYJ 102 V (1 kΩ)
R120	7030003640	S.RESISTOR ERJ3GEYJ 473 V (47 kΩ)
R121	7030003640	S.RESISTOR ERJ3GEYJ 473 V (47 kΩ)
R122	7030003440	S.RESISTOR ERJ3GEYJ 102 V (1 kΩ)
R203	7030003580	S.RESISTOR ERJ3GEYJ 103 V (10 kΩ)
R204	7030003580	S.RESISTOR ERJ3GEYJ 153 V (15 kΩ)
R205	7030003580	S.RESISTOR ERJ3GEYJ 103 V (10 kΩ)
R206	7030003280	S.RESISTOR ERJ3GEYJ 470 V (47 Ω)
R207	7030003520	S.RESISTOR ERJ3GEYJ 472 V (4.7 kΩ)
R208	7030003680	S.RESISTOR ERJ3GEYJ 104 V (100 kΩ)
R209	7030003680	S.RESISTOR ERJ3GEYJ 104 V (100 kΩ)
R210	7030003590	S.RESISTOR ERJ3GEYJ 183 V (18 kΩ)
R211	7030003590	S.RESISTOR ERJ3GEYJ 183 V (18 kΩ)
R212	7030003440	S.RESISTOR ERJ3GEYJ 102 V (1 kΩ)
R213	7030003440	S.RESISTOR ERJ3GEYJ 102 V (1 kΩ)
R214	7030003400	S.RESISTOR ERJ3GEYJ 471 V (470 Ω)
R215	7030003320	S.RESISTOR ERJ3GEYJ 101 V (100 Ω)
R216	7030003680	S.RESISTOR ERJ3GEYJ 104 V (100 kΩ)
R217	7030003680	S.RESISTOR ERJ3GEYJ 104 V (100 kΩ)
R218	7310003820	TRIMMER EVN-D2AA03 B14
R219	7030003490	S.RESISTOR ERJ3GEYJ 272 V (2.7 kΩ)
R220	7030003590	S.RESISTOR ERJ3GEYJ 183 V (18 kΩ)
R221	7030003440	S.RESISTOR ERJ3GEYJ 102 V (1 kΩ)
C1	4030009580	S.CERAMIC C1808 JB 1H 681K-T-A
C2	4030008980	S.CERAMIC C2012 JB 1C 104K-T-A
C3	4030009580	S.CERAMIC C1808 JB 1H 681K-T-A
C4	4030008980	S.CERAMIC C2012 JB 1C 104K-T-A
C5	4030006880	S.CERAMIC C1808 JB 1H 472K-T-A
C6	4030006880	S.CERAMIC C1808 JB 1H 472K-T-A
C7	4030006880	S.CERAMIC C1808 JB 1H 472K-T-A
C8	4030006880	S.CERAMIC C1808 JB 1H 472K-T-A
C9	4030006880	S.CERAMIC C1808 JB 1H 472K-T-A
C10	4030006880	S.CERAMIC C1808 JB 1H 472K-T-A
C11	4550000480	S.TANTALUM TESVA 1C 105M1-8L
C12	4550000480	S.TANTALUM TESVA 1C 105M1-8L
C13	4550002720	S.TANTALUM TESVD2 0J 478M-12L
C14	4550000280	S.TANTALUM TESVB2 1A 475M-8L
C15	4550002770	S.TANTALUM TESVD2 1C 226M-12L
C16	4550002770	S.TANTALUM TESVD2 1C 226M-12L
C17	4030008980	S.CERAMIC C2012 JB 1C 104K-T-A
C18	4550002670	S.TANTALUM TESVB2 1C 335M-8L
C19	4030006880	S.CERAMIC C1808 JB 1H 472K-T-A
C20	4550002670	S.TANTALUM TESVB2 1C 335M-8L
C21	4030006880	S.CERAMIC C1808 JB 1H 472K-T-A
C22	4030008980	S.CERAMIC C2012 JB 1C 104K-T-A
C23	4030008980	S.CERAMIC C2012 JB 1C 104K-T-A
C24	4030008650	S.CERAMIC C1808 SL 1H 200J-T-A
C25	4030008650	S.CERAMIC C1808 SL 1H 200J-T-A
C26	4030008980	S.CERAMIC C2012 JB 1C 104K-T-A
C28	4030008980	S.CERAMIC C2012 JB 1C 104K-T-A

S.=Surface mount



[LOGIC UNIT]

REF. NO.	ORDER NO.	DESCRIPTION	
C29	4030006710	S.CERAMIC	C1808 SL 1H 470J-T-A
C30	4030008960	S.CERAMIC	C2012 JB 1C 104K-T-A
C31	4030008960	S.CERAMIC	C2012 JB 1C 104K-T-A
C32	4030008960	S.CERAMIC	C2012 JB 1C 104K-T-A
C33	4030008960	S.CERAMIC	C2012 JB 1C 104K-T-A
C34	4030008960	S.CERAMIC	C2012 JB 1C 104K-T-A
C35	4030008860	S.CERAMIC	C1808 JB 1H 102K-T-A
C36	4030008860	S.CERAMIC	C1808 JB 1H 102K-T-A
C37	4030008860	S.CERAMIC	C1808 JB 1H 102K-T-A
C38	4030008860	S.CERAMIC	C1808 JB 1H 102K-T-A
C39	4030008860	S.CERAMIC	C1808 JB 1H 102K-T-A
C40	4030008860	S.CERAMIC	C1808 JB 1H 102K-T-A
C41	4030008860	S.CERAMIC	C1808 JB 1H 102K-T-A
C42	4030008860	S.CERAMIC	C1808 JB 1H 102K-T-A
C43	4030008860	S.CERAMIC	C1808 JB 1H 102K-T-A
C44	4030008860	S.CERAMIC	C1808 JB 1H 102K-T-A
C45	4030008960	S.CERAMIC	C2012 JB 1C 104K-T-A
C46	4030008960	S.CERAMIC	C2012 JB 1C 104K-T-A
C47	4030008960	S.CERAMIC	C2012 JB 1C 104K-T-A
C48	4030008960	S.CERAMIC	C2012 JB 1C 104K-T-A
C49	4030008960	S.CERAMIC	C2012 JB 1C 104K-T-A
C50	4550000270	S.TANTALUM	TESVA 1E 474M1-8L
C51	4030008960	S.CERAMIC	C2012 JB 1C 104K-T-A
C52	4030008960	S.CERAMIC	C2012 JB 1C 104K-T-A
C54	4030008960	S.CERAMIC	C2012 JB 1C 104K-T-A
C55	4030008880	S.CERAMIC	C1808 JB 1H 472K-T-A
C56	4030008960	S.CERAMIC	C2012 JB 1C 104K-T-A
C57	4030008880	S.CERAMIC	C1808 JB 1H 472K-T-A
C58	4030008880	S.CERAMIC	C1808 JB 1H 472K-T-A
C59	4510004600	ELECTROLITIC	18 MV 1000 HC
C60	4030008880	S.CERAMIC	C1808 JB 1H 472K-T-A
C62	4030008880	S.CERAMIC	C1808 JB 1H 472K-T-A
C63	4580000050	CERAMIC	D87X5T 1E 684M51
C64	4580000050	CERAMIC	D87X5T 1E 684M51
C201	4550000280	S.TANTALUM	TESVB2 1A 475M-8L
C202	4550000450	S.TANTALUM	TESVC 1C 106M-12L
C203	4550000460	S.TANTALUM	TESVA 1C 105M1-8L
C204	4550002770	S.TANTALUM	TESVD2 1C 226M-12L
C205	4030008880	S.CERAMIC	C1808 JB 1H 472K-T-A
C206	4550000280	S.TANTALUM	TESVB2 1A 475M-8L
C207	4550000280	S.TANTALUM	TESVB2 1A 475M-8L
C208	4550002770	S.TANTALUM	TESVD2 1C 226M-12L
C209	4550002770	S.TANTALUM	TESVD2 1C 226M-12L
C210	4550002770	S.TANTALUM	TESVD2 1C 226M-12L
C211	4020000250	CYLINDER	UP125 X 472M
C212	4030008960	S.CERAMIC	C2012 JB 1C 104K-T-A
C213	4030008960	S.CERAMIC	C2012 JB 1C 104K-T-A
BT1	3020000110	LITHIUM	CR2032
DS1	5030000910	LCD	FTD-11668AAPH
DS3	5080000305	LAMP	HRT-3290A-F
DS4	5080000305	LAMP	HRT-3290A-F
DS5	5080000305	LAMP	HRT-3290A-F
DS6	5080000305	LAMP	HRT-3290A-F
J1	6510015500	CONNECTOR	5224-15CHPB
J2	6510015310	CONNECTOR	5224-13CHPB
J4	6510003410	CONNECTOR	B05B-EH-S
J7	6510008370	CONNECTOR	BBH-1
J8	6510003400	CONNECTOR	B04B-EH-S
J9	6510003390	CONNECTOR	B03B-EH-S
J12	6510014300	CONNECTOR	52030-1610
J13	6510014300	CONNECTOR	52030-1610
J14	6510003400	CONNECTOR	B04B-EH-S
J16	2610000200	CONNECTOR	ICC05-028 360T
J18	6510016540	CONNECTOR	52030-0610
S2	2230000250	SWITCH	SPPH22014A
S3	2230000250	SWITCH	SPPH22014A
S4	2230000250	SWITCH	SPPH22014A
EP1	0910039954	PCB	B-3909D

[SW UNIT]

REF. NO.	ORDER NO.	DESCRIPTION	
D1	1710000160	DIODE	1SS133
D2	1710000160	DIODE	1SS133
D3	1710000160	DIODE	1SS133
D4	1710000160	DIODE	1SS133
D5	1710000160	DIODE	1SS133
D6	1710000160	DIODE	1SS133
D7	1710000160	DIODE	1SS133
D8	1710000160	DIODE	1SS133
D9	1710000160	DIODE	1SS133
D10	1710000160	DIODE	1SS133
D11	1710000160	DIODE	1SS133
D12	1710000160	DIODE	1SS133
D13	1710000160	DIODE	1SS133
D14	1710000160	DIODE	1SS133
D15	1710000160	DIODE	1SS133
D16	1710000160	DIODE	1SS133
D17	1710000160	DIODE	1SS133
D18	1710000160	DIODE	1SS133
D19	1710000160	DIODE	1SS133
D20	1710000160	DIODE	1SS133
D21	1710000160	DIODE	1SS133
D22	1710000160	DIODE	1SS133
D23	1710000160	DIODE	1SS133
D24	1710000160	DIODE	1SS133
D25	1710000160	DIODE	1SS133
D26	1710000160	DIODE	1SS133
D27	1710000160	DIODE	1SS133
D28	1710000160	DIODE	1SS133
D29	1710000160	DIODE	1SS133
D30	1710000160	DIODE	1SS133
D31	1710000160	DIODE	1SS133
D32	1710000160	DIODE	1SS133
D33	1710000160	DIODE	1SS133
D34	1710000160	DIODE	1SS133
D35	1710000160	DIODE	1SS133
D36	1710000160	DIODE	1SS133
D37	1710000160	DIODE	1SS133
D38	1710000160	DIODE	1SS133
D39	1710000160	DIODE	1SS133
D40	1710000160	DIODE	1SS133
D41	1710000160	DIODE	1SS133
D42	1710000160	DIODE	1SS133
D43	1710000160	DIODE	1SS133
D44	1710000160	DIODE	1SS133
R1	7010004190	RESISTOR	R20J 1 kΩ
R2	7010004190	RESISTOR	R20J 1 kΩ
R3	7010004190	RESISTOR	R20J 1 kΩ
R4	7010004190	RESISTOR	R20J 1 kΩ
R5	7010004190	RESISTOR	R20J 1 kΩ
R6	7010004190	RESISTOR	R20J 1 kΩ
R7	7010004190	RESISTOR	R20J 1 kΩ
R8	7010004190	RESISTOR	R20J 1 kΩ
R9	7010004190	RESISTOR	R20J 1 kΩ
R10	7010001130	RESISTOR	R25XJ 680 Ω
R11	7010001150	RESISTOR	R25XJ 1 kΩ
DS1	5040001730	LED	TLR221
DS2	5040001720	LED	TLG221
DS3	5040001730	LED	TLR221
J1	6510015510	CONNECTOR	SB15P-HVQ-C
J3	6510015240	CONNECTOR	SB13P-HVQ-C
S1	2260001810	SWITCH	SW-142 (SKHQFF)
S2	2260000080	SWITCH	SKHHAM024A
S3	2260000080	SWITCH	SKHHAM024A
S4	2260001810	SWITCH	SW-142 (SKHQFF)
S5	2260000080	SWITCH	SKHHAM024A
S6	2260000080	SWITCH	SKHHAM024A
S7	2260001810	SWITCH	SW-142 (SKHQFF)
S8	2260000080	SWITCH	SKHHAM024A

S.=Surface mount



[SW UNIT]

REF. NO.	ORDER NO.	DESCRIPTION	
S9	2260000080	SWITCH	SKHHAM024A
S10	2260000080	SWITCH	SKHHAM024A
S11	2260000080	SWITCH	SKHHAM024A
S12	2260000080	SWITCH	SKHHAM024A
S13	2260001810	SWITCH	SW-142 (SKHQFF)
S14	2260000080	SWITCH	SKHHAM024A
S15	2260000080	SWITCH	SKHHAM024A
S16	2260000080	SWITCH	SKHHAM024A
S17	2260000080	SWITCH	SKHHAM024A
S18	2260000080	SWITCH	SKHHAM024A
S19	2260001860	SWITCH	SW-148 (SKHBBW)
S20	2260000080	SWITCH	SKHHAM024A
S21	2260000080	SWITCH	SKHHAM024A
S22	2260000080	SWITCH	SKHHAM024A
S23	2260000080	SWITCH	SKHHAM024A
S24	2260001860	SWITCH	SW-148 (SKHBBW)
S25	2260000080	SWITCH	SKHHAM024A
S26	2260000080	SWITCH	SKHHAM024A
S27	2260000080	SWITCH	SKHHAM024A
S28	2260000080	SWITCH	SKHHAM024A
S29	2260001810	SWITCH	SW-142 (SKHQFF)
S30	2260000080	SWITCH	SKHHAM024A
S31	2260000080	SWITCH	SKHHAM024A
S32	2260000080	SWITCH	SKHHAM024A
S33	2260000080	SWITCH	SKHHAM024A
S34	2260001860	SWITCH	SW-148 (SKHBBW)
S35	2260001810	SWITCH	SW-142 (SKHQFF)
S36	2260000080	SWITCH	SKHHAM024A
S37	2260000080	SWITCH	SKHHAM024A
S38	2260000080	SWITCH	SKHHAM024A
S39	2260001860	SWITCH	SW-148 (SKHBBW)
S40	2260001810	SWITCH	SW-142 (SKHQFF)
S41	2260000080	SWITCH	SKHHAM024A
S42	2260000080	SWITCH	SKHHAM024A
S43	2260000080	SWITCH	SKHHAM024A
S44	2260001860	SWITCH	SW-148 (SKHBBW)
EP1	0910037414	PCB	B-3683D

[LED BOARD]

REF. NO.	ORDER NO.	DESCRIPTION	
DS1	5040001730	LED	TLR221
DS2	5040001730	LED	TLR221
J1	6510015490	CONNECTOR	MB3P-90-2
EP1	0910041542	PCB	B-3684B

[AF UNIT]

REF. NO.	ORDER NO.	DESCRIPTION	
R1	7210001990	VARIABLE	RV-233(RK1242210) 10KB/10KA
R2	7210002270	VARIABLE	RV-279 (RK1242210) 250KC/10KB
J2	6510003400	CONNECTOR	B04B-EH-S
EP1	0910040981	PCB	B-3910A

[NOTCH-VR UNIT]

REF. NO.	ORDER NO.	DESCRIPTION	
R1	7210002290	VARIABLE	RV-280 (RK0971110) 100KC
EP1	0910041540	PCB	B 4113

[RIT UNIT]

REF. NO.	ORDER NO.	DESCRIPTION	
S2	2250000140	ENCODER	SW-153 (EC16B40)
EP1	0910041512	PCB	B-4114B

[M-CH UNIT]

REF. NO.	ORDER NO.	DESCRIPTION	
R1	7210002300	VARIABLE	RV-282 (RK0971110) 10KB
J1	6510018540	CONNECTOR	52030-0810
S1	2260001870	SWITCH	SW-146 (SRBMIL)
EP1	0910041520	PCB	B-4115

[JACK UNIT]

REF. NO.	ORDER NO.	DESCRIPTION	
L1	6180000900	COIL	LAL 03NA 101K
R1	7010003280	RESISTOR	ELR20J 100 Ω
R2	7010003280	RESISTOR	ELR20J 100 Ω
C1	4020000250	CYLINDER	UP125 X 472M
J1	6510003390	CONNECTOR	B03B-EH-S
J2	6450000191	CONNECTOR	HLJ4815-01-030
EP1	0910041531	PCB	B 4116A

[MIC UNIT]

REF. NO.	ORDER NO.	DESCRIPTION	
J1	6510000190	CONNECTOR	FM214-8SS(P)
EP1	0910006331	FPC	B-792A

[MAIN UNIT]

REF. NO.	ORDER NO.	DESCRIPTION	
IC1	1110003280	S.IC	ND487C1T-E3
IC2	1110001020	S.IC	MC3357DR
IC3	1130001250	S.IC	μPD4066BG-T1
IC4	1110001220	S.IC	BA4558F T1
IC5	1110003140	IC	LA1150N
IC6	1130001250	S.IC	μPD4066BG-T1
IC7	1110001320	IC	μPC1037HA
IC8	1110001320	IC	μPC1037HA
IC9	1110000890	IC	μPC1241H
IC10	1110001320	IC	μPC1037HA
IC11	1110001320	IC	μPC1037HA
IC12	1180000470	IC	NJM7808A
IC14	1110001220	S.IC	BA4558F T1
IC15	1140000400	IC	μPD7564CS-031
IC17	1110001220	S.IC	BA4558F T1
IC19	1120000970	IC	M54562P
IC20	1110001220	S.IC	BA4558F T1
IC21	1130001910	S.IC	μPD4011BG-T1
IC22	1110000240	IC	BA222-V
IC23	1130005640	S.IC	TC4W53F (TE12L)
IC24	1120000970	IC	M54562P
IC25	1120000970	IC	M54562P
IC26	1130007700	S.IC	BU4094BCF-T1
IC27	1130005810	S.IC	BU4094BF-T1

S.=Surface mount

[MAIN UNIT]

REF. NO.	ORDER NO.	DESCRIPTION	
IC28	1130005810	S.IC	BU4094BF-T1
IC29	1130005810	S.IC	BU4094BF-T1
IC31	1110001220	S.IC	BA4558F T1
IC32	1110001220	S.IC	BA4558F T1
Q1*	1560000790	S.FET	2SK2218-TD
Q2*	1540000450	S.TRANSISTOR	2SD1623-T-TD
Q3	1530003150	S.TRANSISTOR	2SC4673D-TD
Q5	1580000620	S.FET	3SK131-T2 MAS
Q6	1580000620	S.FET	3SK131-T2 MAS
Q7	1580000550	S.FET	2SK882-Y (TE85R)
Q8	1520000530	S.TRANSISTOR	2SB1119S-TD
Q9	1590000880	S.TRANSISTOR	DTC114EU T107
Q10	1530003150	S.TRANSISTOR	2SC4673D-TD
Q11	1590000880	S.TRANSISTOR	DTC114EU T107
Q12	1560000550	S.FET	2SK882-Y (TE85R)
Q13	1530003090	S.TRANSISTOR	2SC4213-B (TE85R)
Q15	1560000790	S.FET	2SK2218-TD
Q16	1560000790	S.FET	2SK2218-TD
Q17	1590001330	S.TRANSISTOR	DTA114EU T107
Q18	1530002060	S.TRANSISTOR	2SC4081 T107 R
Q19	1590000680	S.TRANSISTOR	DTC114EU T107
Q20	1560000720	S.FET	2SK2171-4-TD
Q21	1560000720	S.FET	2SK2171-4-TD
Q22	1580000620	S.FET	3SK131-T2 MAS
Q23	1580000620	S.FET	3SK131-T2 MAS
Q24	1590000680	S.TRANSISTOR	DTC114EU T107
Q25	1590000680	S.TRANSISTOR	DTC114EU T107
Q26	1590000680	S.TRANSISTOR	DTC114EU T107
Q27	1590000680	S.TRANSISTOR	DTC114EU T107
Q28	1530002060	S.TRANSISTOR	2SC4081 T107 R
Q29	1560000340	S.FET	2SK210-Y (TE85R)
Q30	1510000510	S.TRANSISTOR	2SA1576 T107 R
Q31	1530002060	S.TRANSISTOR	2SC4081 T107 R
Q32	1530002060	S.TRANSISTOR	2SC4081 T107 R
Q33	1530002060	S.TRANSISTOR	2SC4081 T107 R
Q34	1590001330	S.TRANSISTOR	DTA114EU T107
Q35	1590001330	S.TRANSISTOR	DTA114EU T107
Q36	1590001330	S.TRANSISTOR	DTA114EU T107
Q41	1590001330	S.TRANSISTOR	DTA114EU T107
Q42	1590000680	S.TRANSISTOR	DTC114EU T107
Q43	1590001330	S.TRANSISTOR	DTA114EU T107
Q44	1590000680	S.TRANSISTOR	DTC114EU T107
Q45	1530002060	S.TRANSISTOR	2SC4081 T107 R
Q46	1530002060	S.TRANSISTOR	2SC4081 T107 R
Q47	1560000550	S.FET	2SK882-Y (TE85R)
Q48	1580000620	S.FET	3SK131-T2 MAS
Q49	1530002060	S.TRANSISTOR	2SC4081 T107 R
Q52	1520000530	S.TRANSISTOR	2SB1119S-TD
Q53	1590000680	S.TRANSISTOR	DTC114EU T107
Q54	1590000680	S.TRANSISTOR	DTC114EU T107
Q55	1590000680	S.TRANSISTOR	DTC114EU T107
Q56	1590000680	S.TRANSISTOR	DTC114EU T107
Q57	1590001330	S.TRANSISTOR	DTA114EU T107
Q58	1590000680	S.TRANSISTOR	DTC114EU T107
Q59	1590000680	S.TRANSISTOR	DTC114EU T107
Q60	1530002060	S.TRANSISTOR	2SC4081 T107 R
Q61	1590000680	S.TRANSISTOR	DTC114EU T107
Q62	1530002060	S.TRANSISTOR	2SC4081 T107 R
Q63	1540000450	S.TRANSISTOR	2SD1623-T-TD
Q64	1510000510	S.TRANSISTOR	2SA1576 T107 R
Q65	1590000680	S.TRANSISTOR	DTC114EU T107
Q66	1530002060	S.TRANSISTOR	2SC4081 T107 R
Q67	1590000680	S.TRANSISTOR	DTC114EU T107
Q68	1590000680	S.TRANSISTOR	DTC114EU T107
Q69	1510000510	S.TRANSISTOR	2SA1576 T107 R
Q70	1530003090	S.TRANSISTOR	2SC4213-B (TE85R)
Q71	1590001330	S.TRANSISTOR	DTA114EU T107
Q72	1590001330	S.TRANSISTOR	DTA114EU T107
Q73	1590001330	S.TRANSISTOR	DTA114EU T107
Q74	1590000680	S.TRANSISTOR	DTC114EU T107
Q75	1590000680	S.TRANSISTOR	DTC114EU T107
Q76	1590000680	S.TRANSISTOR	DTC114EU T107
Q77	1590001330	S.TRANSISTOR	DTA114EU T107
Q78	1590000680	S.TRANSISTOR	DTC114EU T107

[MAIN UNIT]

REF. NO.	ORDER NO.	DESCRIPTION	
Q79	1590001330	S.TRANSISTOR	DTA114EU T107
Q80	1590000680	S.TRANSISTOR	DTC114EU T107
Q84	1530002060	S.TRANSISTOR	2SC4081 T107 R
Q85	1530002060	S.TRANSISTOR	2SC4081 T107 R
Q86	1540000450	S.TRANSISTOR	2SD1623-T-TD
Q87	1530002060	S.TRANSISTOR	2SC4081 T107 R
Q88	1540000450	S.TRANSISTOR	2SD1623-T-TD
Q89	1530002060	S.TRANSISTOR	2SC4081 T107 R
Q90	1510000510	S.TRANSISTOR	2SA1576 T107 R
Q91	1560000550	S.FET	2SK882-Y (TE85R)
Q92	1530002060	S.TRANSISTOR	2SC4081 T107 R
Q93	1530002060	S.TRANSISTOR	2SC4081 T107 R
Q94	1590000680	S.TRANSISTOR	DTC114EU T107
Q95	1590000680	S.TRANSISTOR	DTC114EU T107
Q96	1590000680	S.TRANSISTOR	DTC114EU T107
Q97	1530002060	S.TRANSISTOR	2SC4081 T107 R
Q98	1530002060	S.TRANSISTOR	2SC4081 T107 R
Q101	1590001330	S.TRANSISTOR	DTA114EU T107
Q102	1590000680	S.TRANSISTOR	DTC114EU T107
Q103	1590000680	S.TRANSISTOR	DTC114EU T107
Q106	1590001330	S.TRANSISTOR	DTA114EU T107
Q107*	1590000680	S.TRANSISTOR	DTC114EU T107
Q108*	1590001330	S.TRANSISTOR	DTA114EU T107
Q109	1590000680	S.TRANSISTOR	DTC114EU T107
Q110	1540000450	S.TRANSISTOR	2SD1623-T-TD
Q111	1530002060	S.TRANSISTOR	2SC4081 T107 R
Q112	1530002060	S.TRANSISTOR	2SC4081 T107 R
Q114	1590000680	S.TRANSISTOR	DTC114EU T107
Q115	1590000680	S.TRANSISTOR	DTC114EU T107
Q116	1590001330	S.TRANSISTOR	DTA114EU T107
Q117	1590000680	S.TRANSISTOR	DTC114EU T107
Q118	1590000680	S.TRANSISTOR	DTC114EU T107
Q119	1590000680	S.TRANSISTOR	DTC114EU T107
Q120	1590000680	S.TRANSISTOR	DTC114EU T107
Q121	1590000680	S.TRANSISTOR	DTC114EU T107
Q126	1530002060	S.TRANSISTOR	2SC4081 T107 R
Q127	1530002060	S.TRANSISTOR	2SC4081 T107 R
Q129	1590000680	S.TRANSISTOR	DTC114EU T107
Q130	1590000680	S.TRANSISTOR	DTC114EU T107
Q131*	1590000680	S.TRANSISTOR	DTC114EU T107
Q132	1590000680	S.TRANSISTOR	DTC114EU T107
Q133*	1590000680	S.TRANSISTOR	DTC114EU T107
D1*	1750000380	S.DIODE	1SS312(TE85R)
D2*	1790000490	S.DIODE	HSM88AS-TR
D4	1750000380	S.DIODE	1SS312(TE85R)
D5	1750000380	S.DIODE	1SS312(TE85R)
D6	1750000270	S.DIODE	1SS301 (TE85R)
D7	1750000380	S.DIODE	1SS312(TE85R)
D8	1750000380	S.DIODE	1SS312(TE85R)
D10	1750000380	S.DIODE	1SS312(TE85R)
D11	1790000620	S.DIODE	MA77(TW)
D12	1790000620	S.DIODE	MA77(TW)
D13	1790000620	S.DIODE	MA77(TW)
D14	1790000620	S.DIODE	MA77(TW)
D15	1790000620	S.DIODE	MA77(TW)
D16	1790000620	S.DIODE	MA77(TW)
D17	1750000270	S.DIODE	1SS301 (TE85R)
D18	1790000620	S.DIODE	MA77(TW)
D19	1790000620	S.DIODE	MA77(TW)
D19	1750000380	S.DIODE	1SS312(TE85R)
D20	1790000620	S.DIODE	MA77(TW)
D21	1790000620	S.DIODE	MA77(TW)
D22	1750000270	S.DIODE	1SS301 (TE85R)
D23	1790000620	S.DIODE	MA77(TW)
D24	1790000620	S.DIODE	MA77(TW)
D25	1790000620	S.DIODE	MA77(TW)
D26	1790000620	S.DIODE	MA77(TW)
D27	1750000270	S.DIODE	1SS301 (TE85R)
D28	1790000620	S.DIODE	MA77(TW)
D29	1790000620	S.DIODE	MA77(TW)
D30	1750000380	S.DIODE	1SS312(TE85R)
D31	1750000380	S.DIODE	1SS312(TE85R)
D32	1750000380	S.DIODE	1SS312(TE85R)
D33	1750000380	S.DIODE	1SS312(TE85R)

\*=IC-736 only S.=Surface mount



[MAIN UNIT]

REF. NO.	ORDER NO.	DESCRIPTION	
D34	1750000380	S.DIODE	1SS312(TE85R)
D35	1750000380	S.DIODE	1SS312(TE85R)
D36	1750000380	S.DIODE	1SS312(TE85R)
D37	1750000380	S.DIODE	1SS312(TE85R)
D38	1750000270	S.DIODE	1SS301 (TE85R)
D39	1790000490	S.DIODE	HSM88AS-TR
D40	1730000060	ZENER	RD3.6E B1
D41	1730000070	ZENER	RD3.9E B2
D42	1750000270	S.DIODE	1SS301 (TE85R)
D43	1790000490	S.DIODE	HSM88AS-TR
D44	1790000490	S.DIODE	HSM88AS-TR
D45	1790000490	S.DIODE	HSM88AS-TR
D47	1750000270	S.DIODE	1SS301 (TE85R)
D48	1750000270	S.DIODE	1SS301 (TE85R)
D49	1750000270	S.DIODE	1SS301 (TE85R)
D50	1750000270	S.DIODE	1SS301 (TE85R)
D51	1750000270	S.DIODE	1SS301 (TE85R)
D52	1750000270	S.DIODE	1SS301 (TE85R)
D53	1790000620	S.DIODE	MA77(TW)
D54	1790000620	S.DIODE	MA77(TW)
D55	1790000620	S.DIODE	MA77(TW)
D56	1790000620	S.DIODE	MA77(TW)
D57	1790000620	S.DIODE	MA77(TW)
D58	1790000620	S.DIODE	MA77(TW)
D59	1790000620	S.DIODE	MA77(TW)
D60	1790000620	S.DIODE	MA77(TW)
D61	1750000380	S.DIODE	1SS312(TE85R)
D62	1750000270	S.DIODE	1SS301 (TE85R)
D63	1790000620	S.DIODE	MA77(TW)
D66	1750000270	S.DIODE	1SS301 (TE85R)
D67	1750000270	S.DIODE	1SS301 (TE85R)
D68	1750000270	S.DIODE	1SS301 (TE85R)
D69	1750000270	S.DIODE	1SS301 (TE85R)
D71	1750000270	S.DIODE	1SS301 (TE85R)
D72	1730000070	ZENER	RD3.9E B2
D73	1750000270	S.DIODE	1SS301 (TE85R)
D74	1750000270	S.DIODE	1SS301 (TE85R)
D75	1750000270	S.DIODE	1SS301 (TE85R)
D77	1750000270	S.DIODE	1SS301 (TE85R)
D78	1750000270	S.DIODE	1SS301 (TE85R)
D79	1750000270	S.DIODE	1SS301 (TE85R)
D80	1750000270	S.DIODE	1SS301 (TE85R)
D81	1750000270	S.DIODE	1SS301 (TE85R)
D82	1750000270	S.DIODE	1SS301 (TE85R)
D83	1750000270	S.DIODE	1SS301 (TE85R)
D84	1750000270	S.DIODE	1SS301 (TE85R)
D85	1750000270	S.DIODE	1SS301 (TE85R)
D86	1750000270	S.DIODE	1SS301 (TE85R)
D87	1790000490	S.DIODE	HSM88AS-TR
D89	1750000270	S.DIODE	1SS301 (TE85R)
D90	1750000270	S.DIODE	1SS301 (TE85R)
D91	1730000100	ZENER	RD5.1E B2
D92	1750000270	S.DIODE	1SS301 (TE85R)
D93	1750000270	S.DIODE	1SS301 (TE85R)
D94	1750000270	S.DIODE	1SS301 (TE85R)
D95*	1750000270	S.DIODE	1SS301 (TE85R)
D96*	1750000270	S.DIODE	1SS301 (TE85R)
D97*	1750000270	S.DIODE	1SS301 (TE85R)
D98*	1750000270	S.DIODE	1SS301 (TE85R)
D99*	1750000270	S.DIODE	1SS301 (TE85R)
D101	1790000490	S.DIODE	HSM88AS-TR
D102	1790000540	S.VARICAP	MA338(TX)
D103	1750000270	S.DIODE	1SS301 (TE85R)
D104	1790000620	S.DIODE	MA77(TW)
D105	1790000620	S.DIODE	MA77(TW)
D107	1790000620	S.DIODE	MA77(TW)
D108	1750000270	S.DIODE	1SS301 (TE85R)
D110	1750000270	S.DIODE	1SS301 (TE85R)
D111	1750000270	S.DIODE	1SS301 (TE85R)
D112	1750000270	S.DIODE	1SS301 (TE85R)
D113	1750000270	S.DIODE	1SS301 (TE85R)
D114	1750000270	S.DIODE	1SS301 (TE85R)
D115	1750000270	S.DIODE	1SS301 (TE85R)
D116	1750000270	S.DIODE	1SS301 (TE85R)
D117	1750000270	S.DIODE	1SS301 (TE85R)
D118	1750000270	S.DIODE	1SS301 (TE85R)

[MAIN UNIT]

REF. NO.	ORDER NO.	DESCRIPTION	
D119	1750000270	S.DIODE	1SS301 (TE85R)
D123	1750000270	S.DIODE	1SS301 (TE85R)
D124	1750000270	S.DIODE	1SS301 (TE85R)
D125*	1750000380	S.DIODE	1SS312(TE85R)
D129	1750000270	S.DIODE	1SS301 (TE85R)
D130	1720000490	S.VARICAP	SVC252-TA
D131	1750000270	S.DIODE	1SS301 (TE85R)
D132	1790000490	S.DIODE	HSM88AS-TR
D133*	1750000380	S.DIODE	1SS312(TE85R)
D134*	1750000380	S.DIODE	1SS312(TE85R)
D135	1750000380	S.DIODE	1SS312(TE85R)
D136	1750000380	S.DIODE	1SS312(TE85R)
D137	1750000380	S.DIODE	1SS312(TE85R)
D138	1750000270	S.DIODE	1SS301 (TE85R)
D139	1750000270	S.DIODE	1SS301 (TE85R)
D140	1750000270	S.DIODE	1SS301 (TE85R)
D141	1790000490	S.DIODE	HSM88AS-TR
D142	1790000490	S.DIODE	HSM88AS-TR
D143	1730000170	ZENER	RD8.2E B1 [IC-736 only]
D144	1730000080	ZENER	RD4.7E B1 [IC-736 only]
FI1	2010001010	FILTER	69M15B (FL-120)
FI2	2010000270	FILTER	9M15A (FL-23)
FI3	2010000320	FILTER	9M22D2 (FL-30)
FI4	2020000150	CERAMIC	CFW455HT
FI5	2020000210	CERAMIC	CFJ455K5 (FL-65)
FI6	2020000120	CERAMIC	CFW455E
X1	6070000010	DISCRIMINATOR	CDB455C7A
X2	6060000160	CERAMIC	CSB500E
X3	6050001340	XTAL	CR-1
X4	6050003030	XTAL	CR-169
X5	6050009360	XTAL	CR-511
L1*	6180000690	COIL	LAL 03NA R22M
L2*	6180000710	COIL	LAL 03NA R33M
L3*	6180000810	COIL	LAL 03NA 2R2M
L4*	6140002050	COIL	LR-224
L5*	6110001630	COIL	LA-246
L6	6140000080	COIL	LR-20
L7	6180000690	COIL	LAL 03NA R22M
L8	6180000700	COIL	LAL 03NA R27M
L9	6180000860	COIL	LAL 03NA 5R6K
L11	6180000960	COIL	LAL 03NA 102K
L12	6140001600	COIL	LR-178
L13	6150001770	COIL	LS-198
L14	6150000990	COIL	LS-114
L15	6200003260	S.COIL	NL 322522T-101J
L16	6110001640	COIL	LA-247
L17	6110001570	COIL	LA-237
L18	6110001620	COIL	LA-245
L19	6180000710	COIL	LAL 03NA R33M
L20	6180000900	COIL	LAL 03NA 101K
L21	6180000690	COIL	LAL 03NA R22M
L22	6150002430	COIL	LS-254
L23	6150002430	COIL	LS-254
L24	6140002060	COIL	LR-225
L25	6140002060	COIL	LR-225
L26	6150000711	COIL	LS-452
L28	6140000640	COIL	LR-86
L29	6140001540	COIL	LR-169
L31*	6170000230	COIL	LW-25
L32	6110001640	COIL	LA-247
L33	6110001570	COIL	LA-237
L34	6140002050	COIL	LR-224
L35	6150001770	COIL	LS-198
L36	6180000880	COIL	LAL 03NA 100K
L37	6150002430	COIL	LS-254
L38	6150002430	COIL	LS-254
L39	6150000990	COIL	LS-114
L40	6200003260	S.COIL	NL 322522T-101J
L41	6150001640	COIL	LS-180B
L42	6150000711	COIL	LS-452

\*=IC-736 only

S.=Surface mount

[MAIN UNIT]

REF. NO.	ORDER NO.	DESCRIPTION
L43	6150000711	COIL LS-452
L44	6180000880	COIL LAL 03NA 100K
L45	6200003260	S.COIL NL 322522T-101J
L46	6180000940	COIL LAL 03NA 270K
L47	6180000930	COIL LAL 03NA 220K
L48	6200001040	S.COIL MLF2012E 6R8M-T
L49	6200001660	S.COIL MLF2012E 5R8K-T
L50	6180000900	COIL LAL 03NA 101K
L51	6180000900	COIL LAL 03NA 101K
L52	6200001040	S.COIL MLF2012E 6R8M-T
L53	6200002190	S.COIL MLF2012A 4R7K-T
L54	6200003260	S.COIL NL 322522T-101J
L55	6180000810	COIL LAL 03NA 2R2M
L56	6180000810	COIL LAL 03NA 2R2M
L57	6180000830	COIL LAL 03NA 3R3K
L58	6180000850	COIL LAL 03NA 4R7K
L59	6200003260	S.COIL NL 322522T-101J
L60	6180000800	COIL LAL 03NA 1R8M
L61	6180000780	COIL LAL 03NA 1R2M
L62	6180000790	COIL LAL 03NA 1R5M
L63	6180000790	COIL LAL 03NA 1R5M
L64	6200003260	S.COIL NL 322522T-101J
L65	6180000780	COIL LAL 03NA 1R2M
L66	6180000770	COIL LAL 03NA 1R0M
L67	6180000760	COIL LAL 03NA R82M
L68	6180000780	COIL LAL 03NA 1R2M
L69	6200003260	S.COIL NL 322522T-101J
L70	6180000760	COIL LAL 03NA R82M
L71	6180000750	COIL LAL 03NA R68M
L72	6180000750	COIL LAL 03NA R68M
L73	6180000760	COIL LAL 03NA R82M
L74	6200003260	S.COIL NL 322522T-101J
L75	6180000730	COIL LAL 03NA R47M
L76	6180000730	COIL LAL 03NA R47M
L77	6180000730	COIL LAL 03NA R47M
L78	6180000730	COIL LAL 03NA R47M
L79	6200003260	S.COIL NL 322522T-101J
L80	6180000700	COIL LAL 03NA R27M
L81	6180000700	COIL LAL 03NA R27M
L82	6180000710	COIL LAL 03NA R33M
L83	6180000710	COIL LAL 03NA R33M
L84	6180000900	COIL LAL 03NA 101K
L85	6200003260	S.COIL NL 322522T-101J
L86	6150004050	COIL LS-466
L87	6150004050	COIL LS-466
L88	6200003260	S.COIL NL 322522T-101J
L89	6150002291	COIL LS-450
L90	6150002271	COIL LS-451
L91	6150002291	COIL LS-450
L92	6180000920	COIL LAL 03NA 221K
L93	6170000140	COIL LW-15
L94	6180002290	COIL LAL 03NA 330K
L95	6200003260	S.COIL NL 322522T-101J
L96	6200003260	S.COIL NL 322522T-101J
L97	6180000880	COIL LAL 03NA 100K
L98	6200003260	S.COIL NL 322522T-101J
L105	6200003260	S.COIL NL 322522T-101J
L106	6200003260	S.COIL NL 322522T-101J
L107	6200003260	S.COIL NL 322522T-101J
L108	2040000490	COIL EXC-ELDR25C
L109	2040000490	COIL EXC-ELDR25C
L110	6200003260	S.COIL NL 322522T-101J
L111	6200003260	S.COIL NL 322522T-101J
L112	2040000490	COIL EXC-ELDR25C
L113	2040000490	COIL EXC-ELDR25C
L114	6200003260	S.COIL NL 322522T-101J
L115	2040000490	COIL EXC-ELDR25C
L116	6200003260	S.COIL NL 322522T-101J
L121	6180001000	COIL LAL 04NA 102K
L122	6200003260	S.COIL NL 322522T-101J
L123	6200003260	S.COIL NL 322522T-101J
L124	6150001210	COIL LS-133A
L125	6200003260	S.COIL NL 322522T-101J
L126	6180000690	COIL LAL 03NA R22M
L127	6150001220	COIL LS-134
L128	6150001210	COIL LS-133A

[MAIN UNIT]

REF. NO.	ORDER NO.	DESCRIPTION
L130	6200003260	S.COIL NL 322522T-101J
L131	6200003260	S.COIL NL 322522T-101J
L132	6180000880	COIL LAL 03NA 100K
L133	6200003260	S.COIL NL 322522T-101J
L134*	6180000880	COIL LAL 03NA 100K
L136	6180000950	COIL LAL 03NA 150K
L137	6200003260	S.COIL NL 322522T-101J
L138	6150001200	COIL LS-133
L141	6140002220	COIL LR-270
L142*	6180000890	COIL LAL 03NA R22M
L143*	6180000890	COIL LAL 03NA R22M
L145*	6110001560	COIL LA-236
L146*	6180000880	COIL LAL 03NA 100K
L147*	6180000880	COIL LAL 03NA 100K
L148	2040000490	COIL EXC-ELDR25C
L149*	6110001630	COIL LA-246
L150	2040000490	COIL EXC-ELDR25C
L151	6110001560	COIL LA-236 [IC-736]
	6110002470	COIL LA-430 [IC-736]
R2*	7030003320	S.RESISTOR ERJ3GEYJ 101 V (100 Ω)
R3*	7010003200	RESISTOR ELR20J 22 Ω
R4*	7010003830	RESISTOR R20J 1 Ω
R5*	7010003120	RESISTOR ELR20J 4.7 Ω
R6*	7030003520	S.RESISTOR ERJ3GEYJ 472 V (4.7 kΩ)
R10	7010003130	RESISTOR ELR20J 5.6 Ω
R12	7030003510	S.RESISTOR ERJ3GEYJ 392 V (3.9 kΩ)
R13	7030003240	S.RESISTOR ERJ3GEYJ 220 V (22 Ω)
R14	7030003240	S.RESISTOR ERJ3GEYJ 220 V (22 Ω)
R15	7030003420	S.RESISTOR ERJ3GEYJ 681 V (680 Ω)
R18	7030003290	S.RESISTOR ERJ3GEYJ 560 V (56 Ω)
R20	7030003640	S.RESISTOR ERJ3GEYJ 473 V (47 kΩ)
R22	7030003460	S.RESISTOR ERJ3GEYJ 152 V (1.5 kΩ)
R23	7030003760	S.RESISTOR ERJ3GEYJ 474 V (470 kΩ)
R24	7030003340	S.RESISTOR ERJ3GEYJ 151 V (150 Ω)
R25	7030005340	S.RESISTOR RR0816P-332-D (3.3 kΩ)
R26	7030003520	S.RESISTOR ERJ3GEYJ 472 V (4.7 kΩ)
R27	7010000010	RESISTOR ELR25J 1 Ω
R28	7030003540	S.RESISTOR ERJ3GEYJ 682 V (6.8 kΩ)
R29	7030003520	S.RESISTOR ERJ3GEYJ 472 V (4.7 kΩ)
R30	7030003520	S.RESISTOR ERJ3GEYJ 472 V (4.7 kΩ)
R31	7030003200	S.RESISTOR ERJ3GEYJ 100 V (10 Ω)
R32	7030005330	S.RESISTOR RR0816P-562-D (5.6 kΩ)
R33	7030003320	S.RESISTOR ERJ3GEYJ 101 V (100 Ω)
R34	7030003320	S.RESISTOR ERJ3GEYJ 101 V (100 Ω)
R35	7030003420	S.RESISTOR ERJ3GEYJ 681 V (680 Ω)
R36	7030003300	S.RESISTOR ERJ3GEYJ 680 V (68 Ω)
R37	7030003520	S.RESISTOR ERJ3GEYJ 472 V (4.7 kΩ)
R38	7030003370	S.RESISTOR ERJ3GEYJ 271 V (270 Ω)
R39	7030003230	S.RESISTOR ERJ3GEYJ 180 V (18 Ω)
R40	7030003370	S.RESISTOR ERJ3GEYJ 271 V (270 Ω)
R41	7030005340	S.RESISTOR RR0816P-332-D (3.3 kΩ)
R42	7310000760	TRIMMER RH0651CJ4J01A (223)
R43	7030003320	S.RESISTOR ERJ3GEYJ 101 V (100 Ω)
R44	7010004950	RESISTOR R20J 1.5MΩ
R45	7030003520	S.RESISTOR ERJ3GEYJ 472 V (4.7 kΩ)
R46	7030003600	S.RESISTOR ERJ3GEYJ 223 V (22 kΩ)
R47	7510000240	THERMISTOR ERT-D2ZGL 332S
R48	7030005320	S.RESISTOR RR0816P-103-D (10 kΩ)
R49	7030003480	S.RESISTOR ERJ3GEYJ 222 V (2.2 kΩ)
R50	7030003520	S.RESISTOR ERJ3GEYJ 472 V (4.7 kΩ)
R51	7030003200	S.RESISTOR ERJ3GEYJ 100 V (10 Ω)
R52	7030003400	S.RESISTOR ERJ3GEYJ 471 V (470 Ω)
R53	7030003360	S.RESISTOR ERJ3GEYJ 221 V (220 Ω)
R54	7030003200	S.RESISTOR ERJ3GEYJ 100 V (10 Ω)
R55	7030003240	S.RESISTOR ERJ3GEYJ 220 V (22 Ω)
R56	7030003200	S.RESISTOR ERJ3GEYJ 100 V (10 Ω)
R57	7030003360	S.RESISTOR ERJ3GEYJ 221 V (220 Ω)
R58	7030003200	S.RESISTOR ERJ3GEYJ 100 V (10 Ω)
R59	7030003440	S.RESISTOR ERJ3GEYJ 102 V (10 kΩ)
R60	7030003480	S.RESISTOR ERJ3GEYJ 222 V (2.2 kΩ)
R61	7030003480	S.RESISTOR ERJ3GEYJ 222 V (2.2 kΩ)
R62	7030003480	S.RESISTOR ERJ3GEYJ 222 V (2.2 kΩ)
R63	7030003400	S.RESISTOR ERJ3GEYJ 471 V (470 Ω)
R64	7030003400	S.RESISTOR ERJ3GEYJ 471 V (470 Ω)

\*=IC-736 only

S.=Surface mount



[MAIN UNIT]

REF. NO.	ORDER NO.	DESCRIPTION
R65	7030005320	S.RESISTOR RR0816P-103-D (10 kΩ)
R66	7030003280	S.RESISTOR ERJ3GEYJ 470 V (47 Ω)
R67	7030003310	S.RESISTOR ERJ3GEYJ 820 V (82 Ω)
R68	7030003240	S.RESISTOR ERJ3GEYJ 220 V (22 Ω)
R69	7030003800	S.RESISTOR ERJ3GEYJ 105 V (1 MΩ)
R70	7030003350	S.RESISTOR ERJ3GEYJ 181 V (180 Ω)
R71	7030003280	S.RESISTOR ERJ3GEYJ 470 V (47 Ω)
R72	7030003480	S.RESISTOR ERJ3GEYJ 222 V (2.2 kΩ)
R73	7030003480	S.RESISTOR ERJ3GEYJ 222 V (2.2 kΩ)
R74	7030003480	S.RESISTOR ERJ3GEYJ 222 V (2.2 kΩ)
R75	7030003480	S.RESISTOR ERJ3GEYJ 222 V (2.2 kΩ)
R76	7030003360	S.RESISTOR ERJ3GEYJ 221 V (220 Ω)
R77	7030003610	S.RESISTOR ERJ3GEYJ 273 V (27 kΩ)
R78	7030003760	S.RESISTOR ERJ3GEYJ 474 V (470 kΩ)
R79	7030003350	S.RESISTOR ERJ3GEYJ 181 V (180 Ω)
R80	7030003320	S.RESISTOR ERJ3GEYJ 101 V (100 Ω)
R82	7030005320	S.RESISTOR RR0816P-103-D (10 kΩ)
R83	7030005320	S.RESISTOR RR0816P-103-D (10 kΩ)
R84	7030005320	S.RESISTOR RR0816P-103-D (10 kΩ)
R85	7030005320	S.RESISTOR RR0816P-103-D (10 kΩ)
R86	7030003480	S.RESISTOR ERJ3GEYJ 222 V (2.2 kΩ)
R87	7010001030	RESISTOR R25XJ 100 Ω
R88	7030003480	S.RESISTOR ERJ3GEYJ 222 V (2.2 kΩ)
R89	7030003480	S.RESISTOR ERJ3GEYJ 222 V (2.2 kΩ)
R90	7030003460	S.RESISTOR ERJ3GEYJ 152 V (1.5 kΩ)
R91	7030003320	S.RESISTOR ERJ3GEYJ 101 V (100 Ω)
R92	7030003460	S.RESISTOR ERJ3GEYJ 152 V (1.5 kΩ)
R93	7030003480	S.RESISTOR ERJ3GEYJ 222 V (2.2 kΩ)
R94	7030003480	S.RESISTOR ERJ3GEYJ 222 V (2.2 kΩ)
R95	7010001030	RESISTOR R25XJ 100 Ω
R96	7030003480	S.RESISTOR ERJ3GEYJ 222 V (2.2 kΩ)
R97	7030003480	S.RESISTOR ERJ3GEYJ 222 V (2.2 kΩ)
R98	7030003320	S.RESISTOR ERJ3GEYJ 101 V (100 Ω)
R100	7030003640	S.RESISTOR ERJ3GEYJ 473 V (47 kΩ)
R101	7030003460	S.RESISTOR ERJ3GEYJ 152 V (1.5 kΩ)
R102	7030003760	S.RESISTOR ERJ3GEYJ 474 V (470 kΩ)
R103	7030003360	S.RESISTOR ERJ3GEYJ 221 V (220 Ω)
R104	7030003480	S.RESISTOR ERJ3GEYJ 222 V (2.2 kΩ)
R105	7030003450	S.RESISTOR ERJ3GEYJ 122 V (1.2 kΩ)
R106	7030003520	S.RESISTOR ERJ3GEYJ 474 V (4.7 kΩ)
R107	7030003540	S.RESISTOR ERJ3GEYJ 682 V (6.8 kΩ)
R108	7030003750	S.RESISTOR ERJ3GEYJ 394 V (390 kΩ)
R109	7030005320	S.RESISTOR RR0816P-103-D (10 kΩ)
R110	7030005330	S.RESISTOR RR0816P-582-D (5.8 kΩ)
R111	7030003520	S.RESISTOR ERJ3GEYJ 472 V (4.7 kΩ)
R112	7030003300	S.RESISTOR ERJ3GEYJ 680 V (68 Ω)
R113	7030003390	S.RESISTOR ERJ3GEYJ 391 V (390 Ω)
R114	7030003290	S.RESISTOR ERJ3GEYJ 580 V (58 Ω)
R115	7030003640	S.RESISTOR ERJ3GEYJ 473 V (47 kΩ)
R116	7030003280	S.RESISTOR ERJ3GEYJ 470 V (47 Ω)
R117	7030003380	S.RESISTOR ERJ3GEYJ 331 V (330 Ω)
R118	7030003280	S.RESISTOR ERJ3GEYJ 470 V (47 Ω)
R119	7030003400	S.RESISTOR ERJ3GEYJ 471 V (470 Ω)
R120	7030003320	S.RESISTOR ERJ3GEYJ 101 V (100 Ω)
R121	7030003320	S.RESISTOR ERJ3GEYJ 101 V (100 Ω)
R122	7030003320	S.RESISTOR ERJ3GEYJ 101 V (100 Ω)
R123	7030003320	S.RESISTOR ERJ3GEYJ 101 V (100 Ω)
R124	7030003320	S.RESISTOR ERJ3GEYJ 101 V (100 Ω)
R125	7030003320	S.RESISTOR ERJ3GEYJ 101 V (100 Ω)
R126	7030003520	S.RESISTOR ERJ3GEYJ 474 V (4.7 kΩ)
R127	7030003600	S.RESISTOR ERJ3GEYJ 223 V (22 kΩ)
R128	7030003760	S.RESISTOR ERJ3GEYJ 474 V (470 kΩ)
R129	7030003650	S.RESISTOR ERJ3GEYJ 583 V (58 kΩ)
R130	7310000760	TRIMMER RH0651CJ4J01A (223)
R131	7310000730	TRIMMER RH0651CN3J01A (332)
R132	7030003640	S.RESISTOR ERJ3GEYJ 225 V (2.2 MΩ)
R133	7030003750	S.RESISTOR ERJ3GEYJ 394 V (390 kΩ)
R134	7030003760	S.RESISTOR ERJ3GEYJ 474 V (470 kΩ)
R135	7030003790	S.RESISTOR ERJ3GEYJ 824 V (820 kΩ)
R136	7030003380	S.RESISTOR ERJ3GEYJ 331 V (330 Ω)
R137	7030003460	S.RESISTOR ERJ3GEYJ 152 V (1.5 kΩ)
R138	7030005320	S.RESISTOR RR0816P-103-D (10 kΩ)
R139	7030003510	S.RESISTOR ERJ3GEYJ 392 V (3.9 kΩ)
R140	7510000320	THERMISTOR ERT-D2ZGL 202S
R141	7030003550	S.RESISTOR ERJ3GEYJ 822 V (8.2 kΩ)
R143	7030003490	S.RESISTOR ERJ3GEYJ 272 V (2.7 kΩ)

[MAIN UNIT]

REF. NO.	ORDER NO.	DESCRIPTION
R144	7030003440	S.RESISTOR ERJ3GEYJ 102 V (1 kΩ)
R145	7030003520	S.RESISTOR ERJ3GEYJ 472 V (4.7 kΩ)
R146	7030005450	S.RESISTOR RR0816P-153-D (15 kΩ)
R147	7030003540	S.RESISTOR ERJ3GEYJ 682 V (6.8 kΩ)
R148	7030003680	S.RESISTOR ERJ3GEYJ 104 V (100 kΩ)
R149	7030003660	S.RESISTOR ERJ3GEYJ 683 V (68 kΩ)
R150	7030003440	S.RESISTOR ERJ3GEYJ 102 V (1 kΩ)
R151	7030003520	S.RESISTOR ERJ3GEYJ 472 V (4.7 kΩ)
R152	7310000750	TRIMMER RH0651C14J2WA (103)
R153	7030003680	S.RESISTOR ERJ3GEYJ 104 V (100 kΩ)
R154	7030003200	S.RESISTOR ERJ3GEYJ 100 V (10 Ω)
R155	7030003320	S.RESISTOR ERJ3GEYJ 101 V (100 Ω)
R156	7030003520	S.RESISTOR ERJ3GEYJ 472 V (4.7 kΩ)
R157	7030003320	S.RESISTOR ERJ3GEYJ 101 V (100 Ω)
R158	7030003680	S.RESISTOR ERJ3GEYJ 104 V (100 kΩ)
R159	7030003640	S.RESISTOR ERJ3GEYJ 473 V (47 kΩ)
R160	7030003320	S.RESISTOR ERJ3GEYJ 101 V (100 Ω)
R161	7030003640	S.RESISTOR ERJ3GEYJ 473 V (47 kΩ)
R162	7030003440	S.RESISTOR ERJ3GEYJ 102 V (1 kΩ)
R163	7030003520	S.RESISTOR ERJ3GEYJ 472 V (4.7 kΩ)
R164	7030003640	S.RESISTOR ERJ3GEYJ 473 V (4.7 kΩ)
R165	7010004450	RESISTOR R20J 100 kΩ
R166	7030003510	S.RESISTOR ERJ3GEYJ 392 V (3.9 kΩ)
R167	7030003540	S.RESISTOR ERJ3GEYJ 682 V (6.8 kΩ)
R168	7030003460	S.RESISTOR ERJ3GEYJ 152 V (1.5 kΩ)
R169	7030003600	S.RESISTOR ERJ3GEYJ 223 V (22 kΩ)
R170	7030003460	S.RESISTOR ERJ3GEYJ 152 V (1.5 kΩ)
R171	7030003280	S.RESISTOR ERJ3GEYJ 470 V (47 Ω)
R172	7030003440	S.RESISTOR ERJ3GEYJ 102 V (1 kΩ)
R173	7030003640	S.RESISTOR ERJ3GEYJ 473 V (47 kΩ)
R174	7030003640	S.RESISTOR ERJ3GEYJ 473 V (47 kΩ)
R179	7030003520	S.RESISTOR ERJ3GEYJ 472 V (4.7 kΩ)
R180	7030003440	S.RESISTOR ERJ3GEYJ 102 V (1 kΩ)
R181	7030003320	S.RESISTOR ERJ3GEYJ 101 V (100 Ω)
R182	7030003320	S.RESISTOR ERJ3GEYJ 101 V (100 Ω)
R183	7030005320	S.RESISTOR RR0816P-103-D (10 kΩ)
R184	7030003540	S.RESISTOR ERJ3GEYJ 682 V (6.8 kΩ)
R185	7030003680	S.RESISTOR ERJ3GEYJ 104 V (100 kΩ)
R186	7030003680	S.RESISTOR ERJ3GEYJ 104 V (100 kΩ)
R188	7030003680	S.RESISTOR ERJ3GEYJ 104 V (100 kΩ)
R189	7030003680	S.RESISTOR ERJ3GEYJ 104 V (100 kΩ)
R190	7030003480	S.RESISTOR ERJ3GEYJ 222 V (2.2 kΩ)
R191	7030005450	S.RESISTOR RR0816P-153-D (15 kΩ)
R192	7030003440	S.RESISTOR ERJ3GEYJ 102 V (1 kΩ)
R193	7030005340	S.RESISTOR RR0816P-332-D (3.3 kΩ)
R194	7030003280	S.RESISTOR ERJ3GEYJ 470 V (47 Ω)
R195	7030003360	S.RESISTOR ERJ3GEYJ 221 V (220 Ω)
R196	7030003440	S.RESISTOR ERJ3GEYJ 102 V (1 kΩ)
R197	7030003600	S.RESISTOR ERJ3GEYJ 223 V (22 kΩ)
R198	7030003280	S.RESISTOR ERJ3GEYJ 470 V (47 Ω)
R199	7030003400	S.RESISTOR ERJ3GEYJ 471 V (470 Ω)
R200	7510000590	THERMISTOR ERT-D2ZGL 101S
R201	7030003320	S.RESISTOR ERJ3GEYJ 101 V (100 Ω)
R202	7030005320	S.RESISTOR RR0816P-103-D (10 kΩ)
R203	7030005320	S.RESISTOR RR0816P-103-D (10 kΩ)
R204	7030003660	S.RESISTOR ERJ3GEYJ 683 V (68 kΩ)
R205	7310000780	TRIMMER RH0651CS4J25A (473)
R206	7030003320	S.RESISTOR ERJ3GEYJ 101 V (100 Ω)
R207	7030003320	S.RESISTOR ERJ3GEYJ 101 V (100 Ω)
R208	7030003380	S.RESISTOR ERJ3GEYJ 331 V (330 Ω)
R209	7030003400	S.RESISTOR ERJ3GEYJ 471 V (470 Ω)
R210	7030005320	S.RESISTOR RR0816P-103-D (10 kΩ)
R211	7030003610	S.RESISTOR ERJ3GEYJ 273 V (27 kΩ)
R212	7510000590	THERMISTOR ERT-D2ZGL 101S
R213	7030003520	S.RESISTOR ERJ3GEYJ 472 V (4.7 kΩ)
R214	7030005320	S.RESISTOR RR0816P-103-D (10 kΩ)
R215	7030005320	S.RESISTOR RR0816P-103-D (10 kΩ)
R216	7030005320	S.RESISTOR RR0816P-103-D (10 kΩ)
R217	7030005320	S.RESISTOR RR0816P-103-D (10 kΩ)
R218	7030003540	S.RESISTOR ERJ3GEYJ 682 V (6.8 kΩ)
R219	7030003540	S.RESISTOR ERJ3GEYJ 682 V (6.8 kΩ)
R220	7010001070	RESISTOR R25XJ 220 Ω
R221	7030003400	S.RESISTOR ERJ3GEYJ 471 V (470 Ω)
R222	7030005330	S.RESISTOR RR0816P-582-D (5.8 kΩ)
R223	7030005320	S.RESISTOR RR0816P-103-D (10 kΩ)
R224	7030005320	S.RESISTOR RR0816P-103-D (10 kΩ)

S.=Surface mount



[MAIN UNIT]

REF. NO.	ORDER NO.	DESCRIPTION
R225	7030003360	S.RESISTOR ERJ3GEYJ 221 V (220 Ω)
R226	7030003480	S.RESISTOR ERJ3GEYJ 222 V (2.2 kΩ)
R227	7030003320	S.RESISTOR ERJ3GEYJ 101 V (100 Ω)
R228	7030003440	S.RESISTOR ERJ3GEYJ 102 V (1 kΩ)
R229	7030003480	S.RESISTOR ERJ3GEYJ 222 V (2.2 kΩ)
R230	7010003040	RESISTOR ELR20J 1 Ω
R231	7030003440	S.RESISTOR ERJ3GEYJ 102 V (1 kΩ)
R232	7010003100	RESISTOR ELR20J 3.3 Ω
R233	7030003440	S.RESISTOR ERJ3GEYJ 102 V (1 kΩ)
R234	7030003440	S.RESISTOR ERJ3GEYJ 102 V (1 kΩ)
R235	7030005320	S.RESISTOR RR0816P-103-D (10 kΩ)
R236	7030005320	S.RESISTOR RR0816P-103-D (10 kΩ)
R237	7030005320	S.RESISTOR RR0816P-103-D (10 kΩ)
R238	7030005320	S.RESISTOR RR0816P-103-D (10 kΩ)
R239	7030003460	S.RESISTOR ERJ3GEYJ 152 V (1.5 kΩ)
R240	7010004230	RESISTOR R20J 2.2 kΩ
R243	7030003320	S.RESISTOR ERJ3GEYJ 101 V (100 Ω)
R244	7310000750	TRIMMER RH0651C14J2WA (103)
R245	7030003680	S.RESISTOR ERJ3GEYJ 104 V (100 kΩ)
R246	7310000750	TRIMMER RH0651C14J2WA (103)
R247	7030003720	S.RESISTOR ERJ3GEYJ 224 V (220 kΩ)
R248	7030003400	S.RESISTOR ERJ3GEYJ 471 V (470 Ω)
R249	7030003480	S.RESISTOR ERJ3GEYJ 222 V (2.2 kΩ)
R250	7030003520	S.RESISTOR ERJ3GEYJ 472 V (4.7 kΩ)
R251	7030005320	S.RESISTOR RR0816P-103-D (10 kΩ)
R253	7030003540	S.RESISTOR ERJ3GEYJ 682 V (6.8 kΩ)
R254	7030003480	S.RESISTOR ERJ3GEYJ 222 V (2.2 kΩ)
R255	7030005320	S.RESISTOR RR0816P-103-D (10 kΩ)
R256	7030005320	S.RESISTOR RR0816P-103-D (10 kΩ)
R257	7030003520	S.RESISTOR ERJ3GEYJ 472 V (4.7 kΩ)
R258	7310001100	TRIMMER RH0621CS4J1XA (473)
R259	7030005330	S.RESISTOR RR0816P-562-D (5.6 kΩ)
R260	7030003540	S.RESISTOR ERJ3GEYJ 682 V (6.8 kΩ)
R261	7030005330	S.RESISTOR RR0816P-562-D (5.6 kΩ)
R262	7030003550	S.RESISTOR ERJ3GEYJ 822 V (8.2 kΩ)
R263	7030003360	S.RESISTOR ERJ3GEYJ 221 V (220 Ω)
R264	7310001090	TRIMMER RH0621C13J1TA (102)
R265	7030003420	S.RESISTOR ERJ3GEYJ 681 V (680 Ω)
R266	7030003200	S.RESISTOR ERJ3GEYJ 100 V (10 Ω)
R267	7030003570	S.RESISTOR ERJ3GEYJ 123 V (12 kΩ)
R268	7030003400	S.RESISTOR ERJ3GEYJ 471 V (470 Ω)
R269	7030003480	S.RESISTOR ERJ3GEYJ 222 V (2.2 kΩ)
R270	7310000750	TRIMMER RH0651C14J2WA (103)
R271	7030005320	S.RESISTOR RR0816P-103-D (10 kΩ)
R272	7030003440	S.RESISTOR ERJ3GEYJ 102 V (1 kΩ)
R273	7030003800	S.RESISTOR ERJ3GEYJ 105 V (1 MΩ)
R274	7030005320	S.RESISTOR RR0816P-103-D (10 kΩ)
R275	7210002430	VARIABLE EVU-EL0EC2 B16 (1MΩ)
R276	7030005340	S.RESISTOR RR0816P-332-D (3.3 kΩ)
R277	7010004300	RESISTOR R20J 6.8 kΩ
R278	7030003640	S.RESISTOR ERJ3GEYJ 473 V (47 kΩ)
R279	7030003640	S.RESISTOR ERJ3GEYJ 473 V (47 kΩ)
R280	7030003520	S.RESISTOR ERJ3GEYJ 472 V (4.7 kΩ)
R281	7030003520	S.RESISTOR ERJ3GEYJ 472 V (4.7 kΩ)
R282	7030003440	S.RESISTOR ERJ3GEYJ 102 V (1 kΩ)
R283	7030005320	S.RESISTOR RR0816P-103-D (10 kΩ)
R284	7030003540	S.RESISTOR ERJ3GEYJ 682 V (6.8 kΩ)
R285	7030003320	S.RESISTOR ERJ3GEYJ 101 V (100 Ω)
R286	7030005340	S.RESISTOR RR0816P-332-D (3.3 kΩ)
R287	7310000790	TRIMMER RH0651C15J1UA (104)
R288	7030003450	S.RESISTOR ERJ3GEYJ 122 V (1.2 kΩ)
R289	7030003200	S.RESISTOR ERJ3GEYJ 100 V (10 Ω)
R290	7030003700	S.RESISTOR ERJ3GEYJ 154 V (150 kΩ)
R291*	7030003660	S.RESISTOR ERJ3GEYJ 683 V (68 kΩ)
R293	7030003550	S.RESISTOR ERJ3GEYJ 822 V (8.2 kΩ)
R295*	7030003600	S.RESISTOR ERJ3GEYJ 223 V (22 kΩ)
R297	7310000780	TRIMMER RH0651CS4J25A (473)
R298	7030003520	S.RESISTOR ERJ3GEYJ 472 V (4.7 kΩ)
R299	7310000780	TRIMMER RH0651CJ4J01A (223)
R300	7030003400	S.RESISTOR ERJ3GEYJ 471 V (470 Ω)
		[IC-736]
	7030003290	S.RESISTOR ERJ3GEYJ 580 V (56 Ω)
		[IC-738]
R301	7030005320	S.RESISTOR RR0816P-103-D (10 kΩ)
R302	7030003740	S.RESISTOR ERJ3GEYJ 334 V (330 kΩ)
R303	7030003840	S.RESISTOR ERJ3GEYJ 225 V (2.2 MΩ)

[MAIN UNIT]

REF. NO.	ORDER NO.	DESCRIPTION
R304	7030003400	S.RESISTOR ERJ3GEYJ 471 V (470 Ω)
R305	7030003340	S.RESISTOR ERJ3GEYJ 151 V (150 Ω)
R306	7030005320	S.RESISTOR RR0816P-103-D (10 kΩ)
R307	7030003680	S.RESISTOR ERJ3GEYJ 104 V (100 kΩ)
R308	7030003640	S.RESISTOR ERJ3GEYJ 473 V (47 kΩ)
R309	7030003640	S.RESISTOR ERJ3GEYJ 473 V (47 kΩ)
R310	7030003620	S.RESISTOR ERJ3GEYJ 333 V (33 kΩ)
R311	7030003620	S.RESISTOR ERJ3GEYJ 333 V (33 kΩ)
R312	7310000750	TRIMMER RH0651C14J2WA (103)
R313	7030003840	S.RESISTOR ERJ3GEYJ 225 V (2.2 MΩ)
		[IC-736]
	7030003800	S.RESISTOR ERJ3GEYJ 105 V (1 MΩ)
		[IC-738]
R314	7030003400	S.RESISTOR ERJ3GEYJ 471 V (470 Ω)
R315	7310000790	TRIMMER RH0651C15J1UA (104)
R316	7030003640	S.RESISTOR ERJ3GEYJ 473 V (47 kΩ)
R317	7030003640	S.RESISTOR ERJ3GEYJ 473 V (47 kΩ)
R318	7030003730	S.RESISTOR ERJ3GEYJ 274 V (270 kΩ)
R320	7030005320	S.RESISTOR RR0816P-103-D (10 kΩ)
R321	7030003780	S.RESISTOR ERJ3GEYJ 684 V (680 kΩ)
R322	7030003800	S.RESISTOR ERJ3GEYJ 105 V (1 MΩ)
R323	7030003840	S.RESISTOR ERJ3GEYJ 225 V (2.2 MΩ)
R324	7030003520	S.RESISTOR ERJ3GEYJ 472 V (4.7 kΩ)
R325	7030003440	S.RESISTOR ERJ3GEYJ 102 V (1 kΩ)
R326	7030003310	S.RESISTOR ERJ3GEYJ 820 V (82 Ω)
R327	7030003310	S.RESISTOR ERJ3GEYJ 820 V (82 Ω)
R328	7030003320	S.RESISTOR ERJ3GEYJ 101 V (100 Ω)
R329	7030003320	S.RESISTOR ERJ3GEYJ 101 V (100 Ω)
R330	7030005450	S.RESISTOR RR0816P-153-D (15 kΩ)
R331	7030003320	S.RESISTOR ERJ3GEYJ 101 V (100 Ω)
R332	7310000740	TRIMMER RH0651CS3J2KA (472)
R335	7030003320	S.RESISTOR ERJ3GEYJ 101 V (100 Ω)
R336	7030003440	S.RESISTOR ERJ3GEYJ 102 V (1 kΩ)
R349	7310000740	TRIMMER RH0651CS3J2KA (472)
R350	7030003400	S.RESISTOR ERJ3GEYJ 471 V (470 Ω)
R351	7030005450	S.RESISTOR RR0816P-153-D (15 kΩ)
R352	7030003840	S.RESISTOR ERJ3GEYJ 225 V (2.2 MΩ)
R354	7030003440	S.RESISTOR ERJ3GEYJ 102 V (1 kΩ)
R355	7030003800	S.RESISTOR ERJ3GEYJ 105 V (1 MΩ)
R356	7030003480	S.RESISTOR ERJ3GEYJ 222 V (2.2 kΩ)
R357	7030003480	S.RESISTOR ERJ3GEYJ 222 V (2.2 kΩ)
R358	7030005320	S.RESISTOR RR0816P-103-D (10 kΩ)
R359	7030003660	S.RESISTOR ERJ3GEYJ 683 V (68 kΩ)
R360	7030003660	S.RESISTOR ERJ3GEYJ 683 V (68 kΩ)
R361	7030003660	S.RESISTOR ERJ3GEYJ 683 V (68 kΩ)
R362	7310000740	TRIMMER RH0651CS3J2KA (472)
R363	7030003480	S.RESISTOR ERJ3GEYJ 222 V (2.2 kΩ)
R364	7310000750	TRIMMER RH0651C14J2WA (103)
R365	7030003520	S.RESISTOR ERJ3GEYJ 472 V (4.7 kΩ)
R366	7210002450	VARIABLE EVU-EL0EC2 C52 (500Ω)
R367	7010004070	RESISTOR R20J 100 Ω
R368*	7030003440	S.RESISTOR ERJ3GEYJ 102 V (1 kΩ)
R369*	7030003440	S.RESISTOR ERJ3GEYJ 102 V (1 kΩ)
R370*	7030003440	S.RESISTOR ERJ3GEYJ 102 V (1 kΩ)
R371*	7030003440	S.RESISTOR ERJ3GEYJ 102 V (1 kΩ)
R372*	7030003440	S.RESISTOR ERJ3GEYJ 102 V (1 kΩ)
R373*	7030003440	S.RESISTOR ERJ3GEYJ 102 V (1 kΩ)
R374*	7030003440	S.RESISTOR ERJ3GEYJ 102 V (1 kΩ)
R375*	7030003440	S.RESISTOR ERJ3GEYJ 102 V (1 kΩ)
R376*	7030003440	S.RESISTOR ERJ3GEYJ 102 V (1 kΩ)
R378	7030005320	S.RESISTOR RR0816P-103-D (10 kΩ)
R379	7030003520	S.RESISTOR ERJ3GEYJ 472 V (4.7 kΩ)
R380	7210002440	VARIABLE EVU-EL0EC2 B14 (10KΩ)
R381	7030003480	S.RESISTOR ERJ3GEYJ 222 V (2.2 kΩ)
R382	7030003680	S.RESISTOR ERJ3GEYJ 104 V (100 kΩ)
R383	7030005320	S.RESISTOR RR0816P-103-D (10 kΩ)
R384	7030003440	S.RESISTOR ERJ3GEYJ 102 V (1 kΩ)
R385	7210002440	VARIABLE EVU-EL0EC2 B14 (10KΩ)
R386	7030005320	S.RESISTOR RR0816P-103-D (10 kΩ)
R387	7030003680	S.RESISTOR ERJ3GEYJ 104 V (100 kΩ)
R388	7030005320	S.RESISTOR RR0816P-103-D (10 kΩ)
R389	7030003800	S.RESISTOR ERJ3GEYJ 105 V (1 MΩ)
R390	7030005320	S.RESISTOR RR0816P-103-D (10 kΩ)
R391	7030003520	S.RESISTOR ERJ3GEYJ 472 V (4.7 kΩ)
R392	7030003760	S.RESISTOR ERJ3GEYJ 474 V (470 kΩ)
R393	7030005320	S.RESISTOR RR0816P-103-D (10 kΩ)

\*=IC-736 only

S.=Surface mount



[MAIN UNIT]

REF. NO.	ORDER NO.	DESCRIPTION
R394	7010000090	RESISTOR ELR25J 4.7 Ω
R395	7010000370	RESISTOR ELR25J 1 kΩ
R396	7010000250	RESISTOR ELR25J 100 Ω
R397	7010000090	RESISTOR ELR25J 4.7 Ω
R398	7010000370	RESISTOR ELR25J 1 kΩ
R399	7030003760	S.RESISTOR ERJ3GEYJ 474 V (470 kΩ)
R400	7030005320	S.RESISTOR RR0816P-103-D (10 kΩ)
R401	7030005320	S.RESISTOR RR0816P-103-D (10 kΩ)
R403	7010004030	RESISTOR R20J 47 Ω
R404	7010003970	RESISTOR R20J 15 Ω
R405	7030005320	S.RESISTOR RR0816P-103-D (10 kΩ)
R406	7030003680	S.RESISTOR ERJ3GEYJ 104 V (100 kΩ)
R407	7010004070	RESISTOR R20J 100 Ω
R408	7030003440	S.RESISTOR ERJ3GEYJ 102 V (1 kΩ)
R409	7030003640	S.RESISTOR ERJ3GEYJ 473 V (47 kΩ)
R410	7030005320	S.RESISTOR RR0816P-103-D (10 kΩ)
R411	7030003460	S.RESISTOR ERJ3GEYJ 152 V (1.5 kΩ)
R412	7030003600	S.RESISTOR ERJ3GEYJ 223 V (22 kΩ)
R413	7030005320	S.RESISTOR RR0816P-103-D (10 kΩ)
R414	7030005320	S.RESISTOR RR0816P-103-D (10 kΩ)
R415	7030003680	S.RESISTOR ERJ3GEYJ 104 V (100 kΩ)
R416	7030003680	S.RESISTOR ERJ3GEYJ 104 V (100 kΩ)
R417	7030003620	S.RESISTOR ERJ3GEYJ 333 V (33 kΩ)
R418	7310000800	TRIMMER RH0651CJ5J01A (224)
R419	7030003360	S.RESISTOR ERJ3GEYJ 221 V (220 Ω)
R420	7030003360	S.RESISTOR ERJ3GEYJ 221 V (220 Ω)
R421	7030003680	S.RESISTOR ERJ3GEYJ 104 V (100 kΩ)
R422	7030003480	S.RESISTOR ERJ3GEYJ 222 V (2.2 kΩ)
R423	7030003480	S.RESISTOR ERJ3GEYJ 222 V (2.2 kΩ)
R424	7030003480	S.RESISTOR ERJ3GEYJ 222 V (2.2 kΩ)
R426	7030005320	S.RESISTOR RR0816P-103-D (10 kΩ)
R427	7030003230	S.RESISTOR ERJ3GEYJ 180 V (18 Ω)
R428	7030003480	S.RESISTOR ERJ3GEYJ 222 V (2.2 kΩ)
R429	7030003520	S.RESISTOR ERJ3GEYJ 472 V (4.7 kΩ)
R430	7030003510	S.RESISTOR ERJ3GEYJ 392 V (3.9 kΩ)
R431	7030003460	S.RESISTOR ERJ3GEYJ 152 V (1.5 kΩ)
R432	7030005320	S.RESISTOR RR0816P-103-D (10 kΩ)
R433	7030003440	S.RESISTOR ERJ3GEYJ 102 V (1 kΩ)
R434	7030003600	S.RESISTOR ERJ3GEYJ 223 V (22 kΩ)
R437	7030003200	S.RESISTOR ERJ3GEYJ 100 V (10 Ω)
R438	7030003200	S.RESISTOR ERJ3GEYJ 100 V (10 Ω)
R439	7030003200	S.RESISTOR ERJ3GEYJ 100 V (10 Ω)
R440	7030003200	S.RESISTOR ERJ3GEYJ 100 V (10 Ω)
R441	7030003200	S.RESISTOR ERJ3GEYJ 100 V (10 Ω)
R442	7030003200	S.RESISTOR ERJ3GEYJ 100 V (10 Ω)
R443	7030003200	S.RESISTOR ERJ3GEYJ 100 V (10 Ω)
R445	7030003520	S.RESISTOR ERJ3GEYJ 472 V (4.7 kΩ)
R446	7030003400	S.RESISTOR ERJ3GEYJ 471 V (470 Ω)
R447	7030005320	S.RESISTOR RR0816P-103-D (10 kΩ)
R448	7030005330	S.RESISTOR RR0816P-562-D (5.6 kΩ)
R449	7030005340	S.RESISTOR RR0816P-332-D (3.3 kΩ)
R450	7030005350	S.RESISTOR RR0816P-182-D (1.8 kΩ)
R451	7030005390	S.RESISTOR RR0816P-102-D (1 kΩ)
R452	7030003440	S.RESISTOR ERJ3GEYJ 102 V (1 kΩ)
R453	7030003440	S.RESISTOR ERJ3GEYJ 102 V (1 kΩ)
R454	7030003440	S.RESISTOR ERJ3GEYJ 102 V (1 kΩ)
R455	7030003440	S.RESISTOR ERJ3GEYJ 102 V (1 kΩ)
R456	7030003440	S.RESISTOR ERJ3GEYJ 102 V (1 kΩ)
R457	7030003440	S.RESISTOR ERJ3GEYJ 102 V (1 kΩ)
R458	7030005450	S.RESISTOR RR0816P-153-D (15 kΩ)
R459	7030003440	S.RESISTOR ERJ3GEYJ 102 V (1 kΩ)
R460	7030003600	S.RESISTOR ERJ3GEYJ 223 V (22 kΩ)
R461	7030005320	S.RESISTOR RR0816P-103-D (10 kΩ)
R467	7030003680	S.RESISTOR ERJ3GEYJ 104 V (100 kΩ)
R469	7030003480	S.RESISTOR ERJ3GEYJ 222 V (2.2 kΩ)
R470	7030003440	S.RESISTOR ERJ3GEYJ 102 V (1 kΩ)
R471	7030003440	S.RESISTOR ERJ3GEYJ 102 V (1 kΩ)
R472	7030003800	S.RESISTOR ERJ3GEYJ 105 V (1 MΩ)
R473	7030003200	S.RESISTOR ERJ3GEYJ 100 V (10 Ω)
R474	7030003200	S.RESISTOR ERJ3GEYJ 100 V (10 Ω)
R475	7030003200	S.RESISTOR ERJ3GEYJ 100 V (10 Ω)
R476	7030003200	S.RESISTOR ERJ3GEYJ 100 V (10 Ω)
R477	7030003200	S.RESISTOR ERJ3GEYJ 100 V (10 Ω)
R478	7030003200	S.RESISTOR ERJ3GEYJ 100 V (10 Ω)
R479	7030003200	S.RESISTOR ERJ3GEYJ 100 V (10 Ω)
R480	7030003200	S.RESISTOR ERJ3GEYJ 100 V (10 Ω)

[MAIN UNIT]

REF. NO.	ORDER NO.	DESCRIPTION
R488	7030005320	S.RESISTOR RR0816P-103-D (10 kΩ)
R491	7030003800	S.RESISTOR ERJ3GEYJ 105 V (1 MΩ)
R492	7030003400	S.RESISTOR ERJ3GEYJ 471 V (470 Ω)
R493	7030003280	S.RESISTOR ERJ3GEYJ 470 V (47 kΩ)
R494	7030003320	S.RESISTOR ERJ3GEYJ 101 V (100 Ω)
R495*	7030003200	S.RESISTOR ERJ3GEYJ 100 V (10 Ω)
R496	7030003200	S.RESISTOR ERJ3GEYJ 100 V (10 Ω)
R497	7030003200	S.RESISTOR ERJ3GEYJ 100 V (10 Ω)
R498	7030003200	S.RESISTOR ERJ3GEYJ 100 V (10 Ω)
R499	7030003200	S.RESISTOR ERJ3GEYJ 100 V (10 Ω)
R500	7030003200	S.RESISTOR ERJ3GEYJ 100 V (10 Ω)
R501	7030003200	S.RESISTOR ERJ3GEYJ 100 V (10 Ω)
R502	7030003200	S.RESISTOR ERJ3GEYJ 100 V (10 Ω)
R503	7030003200	S.RESISTOR ERJ3GEYJ 100 V (10 Ω)
R504	7030003640	S.RESISTOR ERJ3GEYJ 473 V (47 kΩ)
R505	7030003410	S.RESISTOR ERJ3GEYJ 561 V (560 kΩ)
R506	7030003680	S.RESISTOR ERJ3GEYJ 104 V (100 kΩ)
R507	7030003440	S.RESISTOR ERJ3GEYJ 102 V (1 kΩ)
R508	7030003240	S.RESISTOR ERJ3GEYJ 220 V (22 Ω)
R509	7030003480	S.RESISTOR ERJ3GEYJ 222 V (2.2 kΩ)
R510	7030003440	S.RESISTOR ERJ3GEYJ 102 V (1 kΩ)
R511	7310000760	TRIMMER RH0651CJ4J01A (223)
R512	7310000750	TRIMMER RH0651C14J2WA (103)
R513	7030005320	S.RESISTOR RR0816P-103-D (10 kΩ)
R514	7030005320	S.RESISTOR RR0816P-103-D (10 kΩ)
R515	7030003200	S.RESISTOR ERJ3GEYJ 100 V (10 Ω)
R518	7030003760	S.RESISTOR ERJ3GEYJ 474 V (470 kΩ)
R519	7030003720	S.RESISTOR ERJ3GEYJ 224 V (220 kΩ)
R520	7030003700	S.RESISTOR ERJ3GEYJ 154 V (150 kΩ)
R521	7030003700	S.RESISTOR ERJ3GEYJ 154 V (150 kΩ)
R522	7030003720	S.RESISTOR ERJ3GEYJ 224 V (220 kΩ)
R523	7030003720	S.RESISTOR ERJ3GEYJ 224 V (220 kΩ)
R524	7030003620	S.RESISTOR ERJ3GEYJ 333 V (33 kΩ)
R525	7030003680	S.RESISTOR ERJ3GEYJ 104 V (100 kΩ)
R526	7030003320	S.RESISTOR ERJ3GEYJ 101 V (100 Ω)
R527	7030005320	S.RESISTOR RR0816P-103-D (10 kΩ)
R528	7030005320	S.RESISTOR RR0816P-103-D (10 kΩ)
R529	7030005320	S.RESISTOR RR0816P-103-D (10 kΩ)
R530	7030003480	S.RESISTOR ERJ3GEYJ 222 V (2.2 kΩ)
R531	7030005320	S.RESISTOR RR0816P-103-D (10 kΩ)
R532	7030005320	S.RESISTOR RR0816P-103-D (10 kΩ)
R533	7030005320	S.RESISTOR RR0816P-103-D (10 kΩ)
R534	7030005320	S.RESISTOR RR0816P-103-D (10 kΩ)
R535	7030003600	S.RESISTOR ERJ3GEYJ 223 V (22 kΩ)
R536	7030003720	S.RESISTOR ERJ3GEYJ 224 V (220 kΩ)
R538	7030005320	S.RESISTOR RR0816P-103-D (10 kΩ)
R539	7030003700	S.RESISTOR ERJ3GEYJ 154 V (150 kΩ)
R540	7030005320	S.RESISTOR RR0816P-103-D (10 kΩ)
R541	7030003600	S.RESISTOR ERJ3GEYJ 223 V (22 kΩ)
R542	7030003760	S.RESISTOR ERJ3GEYJ 474 V (470 kΩ)
R543	7030003520	S.RESISTOR ERJ3GEYJ 472 V (4.7 kΩ)
R544	7030003540	S.RESISTOR ERJ3GEYJ 682 V (6.8 kΩ)
R545	7030003600	S.RESISTOR ERJ3GEYJ 223 V (22 kΩ)
R546	7030003600	S.RESISTOR ERJ3GEYJ 223 V (22 kΩ)
R547	7030003460	S.RESISTOR ERJ3GEYJ 152 V (1.5 kΩ)
R548	7030005320	S.RESISTOR RR0816P-103-D (10 kΩ)
R549	7030003600	S.RESISTOR ERJ3GEYJ 223 V (22 kΩ)
R550	7030003460	S.RESISTOR ERJ3GEYJ 152 V (1.5 kΩ)
R551	7030003320	S.RESISTOR ERJ3GEYJ 101 V (100 Ω)
R552	7030003600	S.RESISTOR ERJ3GEYJ 223 V (22 kΩ)
R553	7030003540	S.RESISTOR ERJ3GEYJ 682 V (6.8 kΩ)
R554	7030005330	S.RESISTOR RR0816P-562-D (5.6 kΩ)
R555	7030005320	S.RESISTOR RR0816P-103-D (10 kΩ)
R556	7030005320	S.RESISTOR RR0816P-103-D (10 kΩ)
R557	7030005320	S.RESISTOR RR0816P-103-D (10 kΩ)
R558	7030005320	S.RESISTOR RR0816P-103-D (10 kΩ)
R559	7030005320	S.RESISTOR RR0816P-103-D (10 kΩ)
R560	7030005320	S.RESISTOR RR0816P-103-D (10 kΩ)
R561	7030005320	S.RESISTOR RR0816P-103-D (10 kΩ)
R562	7030005320	S.RESISTOR RR0816P-103-D (10 kΩ)
R563*	7030005320	S.RESISTOR RR0816P-103-D (10 kΩ)
R564	7030003720	S.RESISTOR ERJ3GEYJ 224 V (220 kΩ)
R572*	7030003360	S.RESISTOR ERJ3GEYJ 221 V (220 Ω)
R573*	7030003400	S.RESISTOR ERJ3GEYJ 471 V (470 Ω)
R574	7030003440	S.RESISTOR ERJ3GEYJ 102 V (1 kΩ)
R575*	7030003360	S.RESISTOR ERJ3GEYJ 221 V (220 Ω)

\*=IC-736 only

S.=Surface mount

[MAIN UNIT]

REF. NO.	ORDER NO.	DESCRIPTION	
R576	7030003320	S.RESISTOR	ERJ3GEYJ 101 V (100 Ω)
R577	7030003440	S.RESISTOR	ERJ3GEYJ 102 V (1 kΩ)
R578	7030003440	S.RESISTOR	ERJ3GEYJ 102 V (1 kΩ)
R579	7030003440	S.RESISTOR	ERJ3GEYJ 102 V (1 kΩ)
R580	7030005320	S.RESISTOR	RR0816P-103-D (10 kΩ)
R581	7030003680	S.RESISTOR	ERJ3GEYJ 104 V (100 kΩ)
R582	7030003680	S.RESISTOR	ERJ3GEYJ 104 V (100 kΩ)
R583	7030003440	S.RESISTOR	ERJ3GEYJ 102 V (1 kΩ)
R584	7030003280	S.RESISTOR	ERJ3GEYJ 470 V (47 Ω)
R585	7030003400	S.RESISTOR	ERJ3GEYJ 471 V (470 Ω)
R586	7030003400	S.RESISTOR	ERJ3GEYJ 471 V (470 Ω)
R587	7030003570	S.RESISTOR	ERJ3GEYJ 123 V (12 kΩ)
R588	7030003680	S.RESISTOR	ERJ3GEYJ 104 V (100 kΩ)
R589*	7030003620	S.RESISTOR	ERJ3GEYJ 333 V (33 kΩ)
R591	7030003680	S.RESISTOR	ERJ3GEYJ 104 V (100 kΩ)
R592	7030003200	S.RESISTOR	ERJ3GEYJ 100 V (10 Ω)
R593	7030003570	S.RESISTOR	ERJ3GEYJ 123 V (12 kΩ)
R594	7030003570	S.RESISTOR	ERJ3GEYJ 123 V (12 kΩ)
R595	7030003750	S.RESISTOR	ERJ3GEYJ 394 V (390 kΩ)
R596	7030005340	S.RESISTOR	RR0816P-332-D (3.3 kΩ)
R597*	7310001820	TRIMMER	RH0421CN5J01A (334)
R598	7030005320	S.RESISTOR	RR0816P-103-D (10 kΩ)
R599	7030005320	S.RESISTOR	RR0816P-103-D (10 kΩ)
R600	7030003520	S.RESISTOR	ERJ3GEYJ 472 V (4.7 kΩ)
R603	7030003200	S.RESISTOR	ERJ3GEYJ 100 V (10 Ω)
R604	7030003600	S.RESISTOR	ERJ3GEYJ 223 V (22 kΩ)
R605	7510000240	THERMISTOR	ERT-D2ZGL 332S
R606	7030003520	S.RESISTOR	ERJ3GEYJ 472 V (4.7 kΩ) [IC-738 only]
R607	7030003360	S.RESISTOR	ERJ3GEYJ 221 V (220 Ω) [IC-738 only]
R608	7030003600	S.RESISTOR	ERJ3GEYJ 223 V (22 kΩ) [IC-738 only]
R609	7030003370	S.RESISTOR	ERJ3GEYJ 271 V (270 Ω) [IC-738 only]
R610	7030003230	S.RESISTOR	ERJ3GEYJ 180 V (18 Ω) [IC-738 only]
R611	7030003370	S.RESISTOR	ERJ3GEYJ 271 V (270 Ω) [IC-738 only]
R612	7510000071	THERMISTOR	ERT-D2ZHL 503S [IC-738 only]
C1*	4030010010	S.CERAMIC	C1608 SL 1H 510J-T-A
C2*	4030006670	S.CERAMIC	C1608 SL 1H 270J-T-A
C3*	4030006780	S.CERAMIC	C1608 SL 1H 181J-T-A
C4*	4030006880	S.CERAMIC	C1608 JB 1H 472K-T-A
C5*	4030006900	S.CERAMIC	C1608 JB 1E 103K-T-A
C6*	4030010050	S.CERAMIC	C1608 SL 1H 430J-T-A
C7*	4030006630	S.CERAMIC	C1608 SL 1H 150J-T-A
C8*	4030010050	S.CERAMIC	C1608 SL 1H 430J-T-A
C9	4030006880	S.CERAMIC	C1608 JB 1H 472K-T-A
C10	4030008960	S.CERAMIC	C2012 JB 1C 104K-T-A
C11	4030006880	S.CERAMIC	C1608 JB 1H 472K-T-A
C13	4030006710	S.CERAMIC	C1608 SL 1H 470J-T-A
C14	4030010010	S.CERAMIC	C1608 SL 1H 510J-T-A
C15	4030006760	S.CERAMIC	C1608 SL 1H 121J-T-A
C16	4030006640	S.CERAMIC	C1608 SL 1H 180J-T-A
C17	4030006720	S.CERAMIC	C1608 SL 1H 560J-T-A
C18	4030006870	S.CERAMIC	C1608 JB 1H 222K-T-A
C20	4030008850	S.CERAMIC	C1608 JB 1H 332K-T-A
C21	4030008960	S.CERAMIC	C2012 JB 1C 104K-T-A
C24	4030006530	S.CERAMIC	C1608 SL 1H 020C-T-A
C25	4030006540	S.CERAMIC	C1608 SL 1H 030C-T-A
C26	4030006880	S.CERAMIC	C1608 JB 1H 472K-T-A
C27	4030006880	S.CERAMIC	C1608 JB 1H 102K-T-A
C28	4030006870	S.CERAMIC	C1608 SL 1H 270J-T-A
C29	4030006880	S.CERAMIC	C1608 JB 1H 102K-T-A
C30	4030006590	S.CERAMIC	C1608 SL 1H 080D-T-A
C31	4030006880	S.CERAMIC	C1608 JB 1H 472K-T-A
C32	4030006860	S.CERAMIC	C1608 JB 1H 102K-T-A
C33	4030006880	S.CERAMIC	C1608 JB 1H 472K-T-A
C34	4030006860	S.CERAMIC	C1608 JB 1H 102K-T-A
C35	4030006860	S.CERAMIC	C1608 JB 1H 102K-T-A

[MAIN UNIT]

REF. NO.	ORDER NO.	DESCRIPTION	
C36	4030006520	S.CERAMIC	C1608 SL 1H 010C-T-A
C37	4030006640	S.CERAMIC	C1608 SL 1H 180J-T-A
C38	4030006570	S.CERAMIC	C1608 SL 1H 060D-T-A
C39	4030006510	S.CERAMIC	C1608 SL 1H 0R5C-T-A
C40	4030006860	S.CERAMIC	C1608 JB 1H 102K-T-A
C41	4030007170	S.CERAMIC	C1608 CH 1H 221J-T-A
C42	4030007080	S.CERAMIC	C1608 CH 1H 390J-T-A
C43	4030006880	S.CERAMIC	C1608 JB 1H 472K-T-A
C44	4030006880	S.CERAMIC	C1608 JB 1H 472K-T-A
C45	4030006760	S.CERAMIC	C1608 SL 1H 121J-T-A
C46	4030006880	S.CERAMIC	C1608 JB 1H 472K-T-A
C47	4030006590	S.CERAMIC	C1608 SL 1H 080D-T-A
C48	4030006590	S.CERAMIC	C1608 SL 1H 080D-T-A
C49	4030006560	S.CERAMIC	C1608 SL 1H 050C-T-A
C50	4030006730	S.CERAMIC	C1608 SL 1H 680J-T-A
C51	4030006880	S.CERAMIC	C1608 JB 1H 472K-T-A
C52	4030006880	S.CERAMIC	C1608 JB 1H 472K-T-A
C53	4510003910	ELECTROLITIC	16 MV 47 HW
C54	4030006880	S.CERAMIC	C1608 JB 1H 472K-T-A
C55	4510003830	ELECTROLITIC	50 MV R47 SW
C56	4510003860	ELECTROLITIC	50 MV 3R3 SW
C57	4030008960	S.CERAMIC	C2012 JB 1C 104K-T-A
C58	4030006860	S.CERAMIC	C1608 JB 1H 102K-T-A
C59	4030006880	S.CERAMIC	C1608 JB 1H 472K-T-A
C60	4030006880	S.CERAMIC	C1608 JB 1H 472K-T-A
C62	4030009980	S.CERAMIC	C1608 JB 1H 152K-T-A
C63	4030008650	S.CERAMIC	C1608 JB 1H 332K-T-A
C64	4030009490	S.CERAMIC	C1608 JB 1H 821K-T-A
C65	4030008650	S.CERAMIC	C1608 JB 1H 332K-T-A
C66	4030009630	S.CERAMIC	C1608 JB 1H 822K-T-A
C67	4030006860	S.CERAMIC	C1608 JB 1H 102K-T-A
C68	4030007130	S.CERAMIC	C1608 CH 1H 101J-T-A
C69	4030006860	S.CERAMIC	C1608 JB 1H 102K-T-A
C70	4030008920	S.CERAMIC	C1608 JB 1C 473K-T-A
C71	4030008960	S.CERAMIC	C2012 JB 1C 104K-T-A
C72	4030008920	S.CERAMIC	C1608 JB 1C 473K-T-A
C74	4030006880	S.CERAMIC	C1608 JB 1H 472K-T-A
C75	4030008960	S.CERAMIC	C2012 JB 1C 104K-T-A
C76	4030006880	S.CERAMIC	C1608 JB 1H 472K-T-A
C77	4030009970	S.CERAMIC	C1608 JB 1H 182K-T-A
C78	4030009970	S.CERAMIC	C1608 JB 1H 182K-T-A
C79	4030006830	S.CERAMIC	C1608 SL 1H 331J-T-A
C80	4030008960	S.CERAMIC	C2012 JB 1C 104K-T-A
C81	4030010020	S.CERAMIC	C1608 JB 1H 122K-T-A
C82	4030007130	S.CERAMIC	C1608 CH 1H 101J-T-A
C83	4030010020	S.CERAMIC	C1608 JB 1H 122K-T-A
C84	4030008880	S.CERAMIC	C1608 JB 1H 682K-T-A
C85	4030010020	S.CERAMIC	C1608 JB 1H 122K-T-A
C86	4030009630	S.CERAMIC	C1608 JB 1H 822K-T-A
C87	4030008920	S.CERAMIC	C1608 JB 1C 473K-T-A
C88	4030008960	S.CERAMIC	C2012 JB 1C 104K-T-A
C89	4030010030	S.CERAMIC	C1608 SL 1H 511J-T-A
C90	4030007130	S.CERAMIC	C1608 CH 1H 101J-T-A
C91	4030010110	S.CERAMIC	C1608 SL 1H 471J-T-A
C92	4030010020	S.CERAMIC	C1608 JB 1H 122K-T-A
C93	4030010040	S.CERAMIC	C1608 JB 1H 561K-T-A
C94	4030008770	S.CERAMIC	C1608 JB 1H 562K-T-A
C95	4030008920	S.CERAMIC	C1608 JB 1C 473K-T-A
C96	4030008960	S.CERAMIC	C2012 JB 1C 104K-T-A
C97	4030006830	S.CERAMIC	C1608 SL 1H 331J-T-A
C98	4030010010	S.CERAMIC	C1608 SL 1H 510J-T-A
C99	4030006830	S.CERAMIC	C1608 SL 1H 331J-T-A
C100	4030006830	S.CERAMIC	C1608 SL 1H 331J-T-A
C101	4030006830	S.CERAMIC	C1608 SL 1H 331J-T-A
C102	4030008470	S.CERAMIC	C1608 JB 1H 272K-T-A
C103	4030008920	S.CERAMIC	C1608 JB 1C 473K-T-A
C104	4030008960	S.CERAMIC	C2012 JB 1C 104K-T-A
C105	4030006830	S.CERAMIC	C1608 SL 1H 331J-T-A
C106	4030007090	S.CERAMIC	C1608 CH 1H 470J-T-A
C107	4030006760	S.CERAMIC	C1608 SL 1H 121J-T-A
C108	4030007170	S.CERAMIC	C1608 CH 1H 221J-T-A
C109	4030007170	S.CERAMIC	C1608 CH 1H 221J-T-A
C110	4030009970	S.CERAMIC	C1608 JB 1H 182K-T-A
C111	4030008920	S.CERAMIC	C1608 JB 1C 473K-T-A
C112	4030008960	S.CERAMIC	C2012 JB 1C 104K-T-A
C113	4030007170	S.CERAMIC	C1608 CH 1H 221J-T-A

\*=IC-736 only

S.=Surface mount



[MAIN UNIT]

REF. NO.	ORDER NO.	DESCRIPTION
C114	4030006840	S.CERAMIC C1608 SL 1H 180J-T-A
C115	4030007130	S.CERAMIC C1608 CH 1H 101J-T-A
C116	4030007170	S.CERAMIC C1608 CH 1H 221J-T-A
C117	4030006770	S.CERAMIC C1608 SL 1H 151J-T-A
C118	4030010020	S.CERAMIC C1608 JB 1H 122K-T-A
C119	4030008920	S.CERAMIC C1608 JB 1C 473K-T-A
C120	4030008960	S.CERAMIC C2012 JB 1C 104K-T-A
C121	4030006890	S.CERAMIC C1608 SL 1H 330J-T-A
C122	4030006780	S.CERAMIC C1608 SL 1H 181J-T-A
C123	4030007080	S.CERAMIC C1608 CH 1H 390J-T-A
C124	4030007090	S.CERAMIC C1608 CH 1H 470J-T-A
C125	4030006760	S.CERAMIC C1608 SL 1H 121J-T-A
C126	4030007130	S.CERAMIC C1608 CH 1H 101J-T-A
C127	4030009490	S.CERAMIC C1608 JB 1H 821K-T-A
C128	4030008920	S.CERAMIC C1608 JB 1C 473K-T-A
C129	4030008920	S.CERAMIC C1608 JB 1C 473K-T-A
C130	4030006890	S.CERAMIC C1608 SL 1H 330J-T-A
C131	4030008920	S.CERAMIC C1608 JB 1C 473K-T-A
C132	4030008920	S.CERAMIC C1608 JB 1C 473K-T-A
C133	4030008920	S.CERAMIC C1608 JB 1C 473K-T-A
C134*	4810002020	TRIMMER ECR-HA020D41
C135	4030008960	S.CERAMIC C2012 JB 1C 104K-T-A
C136	4030006780	S.CERAMIC C1608 SL 1H 121J-T-A
C137	4030006720	S.CERAMIC C1608 SL 1H 580J-T-A
C138	4030006720	S.CERAMIC C1608 SL 1H 580J-T-A
C139	4030008960	S.CERAMIC C2012 JB 1C 104K-T-A
C140	4030006810	S.CERAMIC C1608 SL 1H 100D-T-A
C141	4030008960	S.CERAMIC C2012 JB 1C 104K-T-A
C142	4030006860	S.CERAMIC C1608 JB 1H 102K-T-A
C143	4030006800	S.CERAMIC C1608 SL 1H 090D-T-A
C144	4030008980	S.CERAMIC C2012 JB 1C 104K-T-A
C145	4030007130	S.CERAMIC C1608 CH 1H 101J-T-A
C146	4030006590	S.CERAMIC C1608 SL 1H 080D-T-A
C147	4030006590	S.CERAMIC C1608 SL 1H 080D-T-A
C148	4030008960	S.CERAMIC C2012 JB 1C 104K-T-A
C149	4030006880	S.CERAMIC C1608 JB 1H 472K-T-A
C150	4030006570	S.CERAMIC C1608 SL 1H 060D-T-A
C151	4030006880	S.CERAMIC C1608 JB 1H 472K-T-A
C152	4030006880	S.CERAMIC C1608 JB 1H 472K-T-A
C153	4030006760	S.CERAMIC C1608 SL 1H 121J-T-A
C154	4030008960	S.CERAMIC C2012 JB 1C 104K-T-A
C155	4030006880	S.CERAMIC C1608 JB 1H 472K-T-A
C156	4030008960	S.CERAMIC C2012 JB 1C 104K-T-A
C157	4030006880	S.CERAMIC C1608 JB 1H 472K-T-A
C158	4030006880	S.CERAMIC C1608 JB 1H 472K-T-A
C159	4030006870	S.CERAMIC C1608 SL 1H 270J-T-A
C160	4030006880	S.CERAMIC C1608 JB 1H 472K-T-A
C161	4030006880	S.CERAMIC C1608 JB 1H 472K-T-A
C162	4030006880	S.CERAMIC C1608 JB 1H 472K-T-A
C163	4030007090	S.CERAMIC C1608 CH 1H 470J-T-A
C164	4030006880	S.CERAMIC C1608 JB 1H 472K-T-A
C165	4030008960	S.CERAMIC C2012 JB 1C 104K-T-A
C166	4030006880	S.CERAMIC C1608 JB 1H 472K-T-A
C167	4030006880	S.CERAMIC C1608 JB 1H 472K-T-A
C168	4030008960	S.CERAMIC C2012 JB 1C 104K-T-A
C169	4510003790	ELECTROLITIC 16 MV 10 SW
C170	4030006860	S.CERAMIC C1608 JB 1H 102K-T-A
C171	4310000400	MYLAR 50 F2D 223J
C172	4510005240	ELECTROLITIC 16 MV 22 SWB
C173	4510004130	ELECTROLITIC 16 MV 33 HW
C174	4510003850	ELECTROLITIC 50 MV 2R2 SW
C175	4030008960	S.CERAMIC C2012 JB 1C 104K-T-A
C176	4030006880	S.CERAMIC C1608 JB 1H 472K-T-A
C177	4510003910	ELECTROLITIC 16 MV 47 HW
C178	4030007130	S.CERAMIC C1608 CH 1H 101J-T-A
C179	4310000400	MYLAR 50 F2D 223J
C180	4030006880	S.CERAMIC C1608 JB 1H 472K-T-A
C181	4030006880	S.CERAMIC C1608 JB 1H 472K-T-A
C182	4030006880	S.CERAMIC C1608 JB 1H 472K-T-A
C183	4030006770	S.CERAMIC C1608 SL 1H 151J-T-A
C184	4030006530	S.CERAMIC C1608 SL 1H 020C-T-A
C185	4030006880	S.CERAMIC C1608 JB 1H 472K-T-A
C186	4030006880	S.CERAMIC C1608 JB 1H 472K-T-A
C187	4510003790	ELECTROLITIC 16 MV 10 SW
C188	4030006880	S.CERAMIC C1608 JB 1H 472K-T-A
C189	4030006880	S.CERAMIC C1608 JB 1H 472K-T-A

[MAIN UNIT]

REF. NO.	ORDER NO.	DESCRIPTION
C190	4030006880	S.CERAMIC C1608 JB 1H 472K-T-A
C191	4030006880	S.CERAMIC C1608 JB 1H 472K-T-A
C192	4030006880	S.CERAMIC C1608 JB 1H 472K-T-A
C193	4030006880	S.CERAMIC C1608 JB 1H 472K-T-A
C194	4030006760	S.CERAMIC C1608 SL 1H 121J-T-A
C195	4030006660	S.CERAMIC C1608 SL 1H 220J-T-A
C196	4510003860	ELECTROLITIC 50 MV 3R3 SW
C197	4510003910	ELECTROLITIC 16 MV 47 HW
C198	4030008960	S.CERAMIC C2012 JB 1C 104K-T-A
C200	4030006880	S.CERAMIC C1608 JB 1H 472K-T-A
C201	4030008960	S.CERAMIC C2012 JB 1C 104K-T-A
C202	4030006740	S.CERAMIC C1608 SL 1H 820J-T-A
C203	4030008960	S.CERAMIC C2012 JB 1C 104K-T-A
C204	4510003800	ELECTROLITIC 25 MV 4R7 SW
C205	4030009490	S.CERAMIC C1608 JB 1H 821K-T-A
C206	4030009490	S.CERAMIC C1608 JB 1H 821K-T-A
C209	4310000480	MYLAR 50 F2D 104J
C210	4310000420	MYLAR 50 F2D 333J
C211	4030008960	S.CERAMIC C2012 JB 1C 104K-T-A
C212	4510003800	ELECTROLITIC 25 MV 4R7 SW
C213	4030008960	S.CERAMIC C2012 JB 1C 104K-T-A
C217	4510003820	ELECTROLITIC 50 MV R22 SW
C218	4510003910	ELECTROLITIC 16 MV 47 HW
C219	4510004990	ELECTROLITIC 16 MV 100 HC
C220	4510004990	ELECTROLITIC 16 MV 100 HC
C221	4030008920	S.CERAMIC C1608 JB 1C 473K-T-A
C223	4510003840	ELECTROLITIC 50 MV 1 SW
C224	4030008960	S.CERAMIC C2012 JB 1C 104K-T-A
C225	4030008960	S.CERAMIC C2012 JB 1C 104K-T-A
C226	4030006880	S.CERAMIC C1608 JB 1H 102K-T-A
C227	4030006760	S.CERAMIC C1608 SL 1H 121J-T-A
C228	4030008960	S.CERAMIC C2012 JB 1C 104K-T-A
C229	4030008960	S.CERAMIC C2012 JB 1C 104K-T-A
C230	4030008960	S.CERAMIC C2012 JB 1C 104K-T-A
C231	4030007170	S.CERAMIC C1608 CH 1H 221J-T-A
C232	4030008960	S.CERAMIC C2012 JB 1C 104K-T-A
C233	4510003850	ELECTROLITIC 50 MV 2R2 SW
C234	4030006880	S.CERAMIC C1608 JB 1H 472K-T-A
C236	4030008960	S.CERAMIC C2012 JB 1C 104K-T-A
C237	4030008960	S.CERAMIC C1608 JB 1H 472K-T-A
C238	4030006880	S.CERAMIC C1608 JB 1H 472K-T-A
C239	4310000400	MYLAR 50 F2D 223J
C240	4030006860	S.CERAMIC C1608 SL 1H 220J-T-A
C241	4030008920	S.CERAMIC C1608 JB 1C 473K-T-A
C242	4030008960	S.CERAMIC C2012 JB 1C 104K-T-A
C243	4030008960	S.CERAMIC C2012 JB 1C 104K-T-A
C244	4030008960	S.CERAMIC C2012 JB 1C 104K-T-A
C245	4030008960	S.CERAMIC C2012 JB 1C 104K-T-A
C246	4030010040	S.CERAMIC C1608 JB 1H 561K-T-A
C247	4030008960	S.CERAMIC C2012 JB 1C 104K-T-A
C248	4030008960	S.CERAMIC C2012 JB 1C 104K-T-A
C249	4030006880	S.CERAMIC C1608 JB 1H 472K-T-A
C250	4030006840	S.CERAMIC C1608 SL 1H 180J-T-A
C251	4030006880	S.CERAMIC C1608 JB 1H 472K-T-A
C252	4030006880	S.CERAMIC C1608 JB 1H 472K-T-A
C253	4030008960	S.CERAMIC C2012 JB 1C 104K-T-A
C254	4510004590	ELECTROLITIC 16 MV 470 HC
C255	4510004990	ELECTROLITIC 16 MV 100 HC
C256	4510004990	ELECTROLITIC 16 MV 100 HC
C257	4510005000	ELECTROLITIC 16 MV 220 HC
C258	4510004600	ELECTROLITIC 16 MV 1000 HC
C259	4510004990	ELECTROLITIC 16 MV 100 HC
C260	4030008920	S.CERAMIC C1608 JB 1C 473K-T-A
C261	4510003820	ELECTROLITIC 50 MV R22 SW
C262	4030006870	S.CERAMIC C1608 JB 1H 222K-T-A
C263	4310000400	MYLAR 50 F2D 223J
C264	4510003820	ELECTROLITIC 50 MV R22 SW
C265	4030008960	S.CERAMIC C1608 JB 1H 102K-T-A
C266	4030008960	S.CERAMIC C2012 JB 1C 104K-T-A
C267	4030008960	S.CERAMIC C2012 JB 1C 104K-T-A
C268	4030006770	S.CERAMIC C1608 SL 1H 151J-T-A
C269	4030006880	S.CERAMIC C1608 SL 1H 220J-T-A
C270	4030006880	S.CERAMIC C1608 JB 1H 472K-T-A
C271	4030006880	S.CERAMIC C1608 JB 1H 472K-T-A
C272	4030006880	S.CERAMIC C1608 JB 1H 472K-T-A
C273	4030006880	S.CERAMIC C1608 JB 1H 472K-T-A

\*=IC-736 only

S.=Surface mount

[MAIN UNIT]

REF. NO.	ORDER NO.	DESCRIPTION	
C274	4030006880	S.CERAMIC	C1608 JB 1H 472K-T-A
C275	4030006860	S.CERAMIC	C1608 SL 1H 220J-T-A
C276	4030008960	S.CERAMIC	C2012 JB 1C 104K-T-A
C277	4030006880	S.CERAMIC	C1608 JB 1H 472K-T-A
C278	4030006880	S.CERAMIC	C1608 JB 1H 472K-T-A
C279	4030006880	S.CERAMIC	C1608 JB 1H 472K-T-A
C280	4030010110	S.CERAMIC	C1608 SL 1H 471J-T-A
C283	4030008960	S.CERAMIC	C2012 JB 1C 104K-T-A
C284	4030010110	S.CERAMIC	C1608 SL 1H 471J-T-A
C285	4030008920	S.CERAMIC	C1608 JB 1C 473K-T-A
C286	4030006860	S.CERAMIC	C1608 JB 1H 102K-T-A
C287	4510003840	ELECTROLITIC	50 MV 1 SW
C288	4030006750	S.CERAMIC	C1608 SL 1H 101J-T-A
C289	4510004130	ELECTROLITIC	16 MV 33 HW
C290	4030006860	S.CERAMIC	C1608 JB 1H 102K-T-A
C291	4310000400	MYLAR	50 F2D 223J
C292	4310000400	MYLAR	50 F2D 223J
C293	4310000400	MYLAR	50 F2D 223J
C294	4030008920	S.CERAMIC	C1608 JB 1C 473K-T-A
C295	4510003910	ELECTROLITIC	16 MV 47 HW
C296	4030006880	S.CERAMIC	C1608 JB 1H 472K-T-A
C297	4550002120	TANTALUM	DN 1C 220M
C298	4510003840	ELECTROLITIC	50 MV 1 SW
C299	4510003840	ELECTROLITIC	50 MV 1 SW
C300	4510003840	ELECTROLITIC	50 MV 1 SW [IC-736]
	4510003850	ELECTROLITIC	50 MV 2R2 SW [IC-738]
C301	4510003830	ELECTROLITIC	50 MV R47 SW
C302	4510003840	ELECTROLITIC	50 MV 1 SW
C303	4030006880	S.CERAMIC	C1608 JB 1H 472K-T-A
C304	4030006880	S.CERAMIC	C1608 JB 1H 472K-T-A
C305	4030006880	S.CERAMIC	C1608 JB 1H 472K-T-A
C306	4030006880	S.CERAMIC	C1608 JB 1H 472K-T-A
C309	4510003910	ELECTROLITIC	16 MV 47 HW
C310	4030008960	S.CERAMIC	C2012 JB 1C 104K-T-A
C311	4510003910	ELECTROLITIC	16 MV 47 HW
C312	4030008960	S.CERAMIC	C2012 JB 1C 104K-T-A
C313	4030006880	S.CERAMIC	C1608 JB 1H 472K-T-A
C314	4510005210	ELECTROLITIC	50 MV 1 SWNP
C315	4030006880	S.CERAMIC	C1608 JB 1H 472K-T-A
C316	4030006880	S.CERAMIC	C1608 JB 1H 472K-T-A
C317	4030006880	S.CERAMIC	C1608 JB 1H 472K-T-A
C319	4030006880	S.CERAMIC	C1608 JB 1H 472K-T-A
C320	4030006880	S.CERAMIC	C1608 JB 1H 472K-T-A
C321	4030006880	S.CERAMIC	C1608 JB 1H 472K-T-A
C322	4030006880	S.CERAMIC	C1608 JB 1H 472K-T-A
C324	4030006880	S.CERAMIC	C1608 JB 1H 472K-T-A
C336	4510004990	ELECTROLITIC	16 MV 100 HC
C337	4510003790	ELECTROLITIC	16 MV 10 SW
C338	4510003840	ELECTROLITIC	50 MV 1 SW
C339	4030006870	S.CERAMIC	C1608 JB 1H 222K-T-A
C340	4510003830	ELECTROLITIC	50 MV R47 SW
C341	4510003790	ELECTROLITIC	16 MV 10 SW
C342	4030006860	S.CERAMIC	C1608 JB 1H 102K-T-A
C343	4030006870	S.CERAMIC	C1608 JB 1H 222K-T-A
C344	4030006760	S.CERAMIC	C1608 SL 1H 121J-T-A
C345	4510003820	ELECTROLITIC	50 MV R22 SW
C346	4510004950	ELECTROLITIC	50 MV R47 SWNP
C347	4310000480	MYLAR	50 F2D 104J
C348	4310000610	MYLAR	50 F2D 472J
C349	4030006750	S.CERAMIC	C1608 SL 1H 101J-T-A
C350	4030006750	S.CERAMIC	C1608 SL 1H 101J-T-A
C351	4030006880	S.CERAMIC	C1608 JB 1H 472K-T-A
C352	4510003790	ELECTROLITIC	16 MV 10 SW
C353	4510003850	ELECTROLITIC	50 MV 2R2 SW
C354	4030008960	S.CERAMIC	C2012 JB 1C 104K-T-A
C355	4510003910	ELECTROLITIC	16 MV 47 HW
C356	4030008960	S.CERAMIC	C2012 JB 1C 104K-T-A
C357	4510003790	ELECTROLITIC	16 MV 10 SW
C358	4510003850	ELECTROLITIC	50 MV 2R2 SW
C366	4030008960	S.CERAMIC	C2012 JB 1C 104K-T-A
C367	4510003910	ELECTROLITIC	16 MV 47 HW
C368	4030008960	S.CERAMIC	C2012 JB 1C 104K-T-A
C369	4510003910	ELECTROLITIC	16 MV 47 HW
C370	4030006880	S.CERAMIC	C1608 JB 1H 472K-T-A
C372	4030006900	S.CERAMIC	C1608 JB 1E 103K-T-A
C373	4510003830	ELECTROLITIC	50 MV R47 SW

[MAIN UNIT]

REF. NO.	ORDER NO.	DESCRIPTION	
C374	4030006900	S.CERAMIC	C1608 JB 1E 103K-T-A
C375	4510003830	ELECTROLITIC	50 MV R47 SW
C376	4030006900	S.CERAMIC	C1608 JB 1E 103K-T-A
C377	4550000400	TANTALUM	DN 1C 2R2M
C378	4550000340	TANTALUM	DN 1C 100M
C379	4550000340	TANTALUM	DN 1C 100M
C380	4550000340	TANTALUM	DN 1C 100M
C381	4550000400	TANTALUM	DN 1C 2R2M
C382	4310000330	MYLAR	50 F2D 102J
C383	4550000320	TANTALUM	DN 1V 0R1M
C384	4510003850	ELECTROLITIC	50 MV 2R2 SW
C385	4030006880	S.CERAMIC	C1608 JB 1H 472K-T-A
C386	4030006770	S.CERAMIC	C1608 SL 1H 151J-T-A
C387	4030006550	S.CERAMIC	C1608 SL 1H 040C-T-A
C388	4030006770	S.CERAMIC	C1608 SL 1H 151J-T-A
C389	4030007130	S.CERAMIC	C1608 CH 1H 101J-T-A
C390	4030007130	S.CERAMIC	C1608 CH 1H 101J-T-A
C391	4030008960	S.CERAMIC	C2012 JB 1C 104K-T-A
C392	4030006880	S.CERAMIC	C1608 JB 1H 472K-T-A
C393	4030006880	S.CERAMIC	C1608 JB 1H 472K-T-A
C394	4030008860	S.CERAMIC	C1608 JB 1C 153K-T-A
C395	4030008960	S.CERAMIC	C2012 JB 1C 104K-T-A
C396	4030006880	S.CERAMIC	C1608 JB 1H 472K-T-A
C397	4030006880	S.CERAMIC	C1608 JB 1H 472K-T-A
C399	4030007080	S.CERAMIC	C1608 CH 1H 390J-T-A
C400	4810002030	TRIMMER	ECR-HA030E41
C401	4030006880	S.CERAMIC	C1608 JB 1H 472K-T-A
C402	4030007170	S.CERAMIC	C1608 CH 1H 221J-T-A
C403	4030007170	S.CERAMIC	C1608 CH 1H 221J-T-A
C404	4030006880	S.CERAMIC	C1608 JB 1H 472K-T-A
C405	4030006880	S.CERAMIC	C1608 JB 1H 472K-T-A
C406	4030006900	S.CERAMIC	C1608 JB 1E 103K-T-A
C407	4030008960	S.CERAMIC	C2012 JB 1C 104K-T-A
C409	4030006880	S.CERAMIC	C1608 JB 1H 472K-T-A
C411	4030006880	S.CERAMIC	C1608 JB 1H 472K-T-A
C413	4030006880	S.CERAMIC	C1608 JB 1H 472K-T-A
C414	4510003790	ELECTROLITIC	16 MV 10 SW
C415	4030008960	S.CERAMIC	C2012 JB 1C 104K-T-A
C416	4030008960	S.CERAMIC	C2012 JB 1C 104K-T-A
C417	4030008960	S.CERAMIC	C2012 JB 1C 104K-T-A
C422	4030006880	S.CERAMIC	C1608 JB 1H 472K-T-A
C423	4030006880	S.CERAMIC	C1608 JB 1H 472K-T-A
C424	4030006880	S.CERAMIC	C1608 JB 1H 472K-T-A
C425	4030006880	S.CERAMIC	C1608 JB 1H 472K-T-A
C426	4030006880	S.CERAMIC	C1608 JB 1H 472K-T-A
C427	4030006880	S.CERAMIC	C1608 JB 1H 472K-T-A
C428	4030006880	S.CERAMIC	C1608 JB 1H 472K-T-A
C429	4030008960	S.CERAMIC	C2012 JB 1C 104K-T-A
C430	4030006880	S.CERAMIC	C1608 JB 1H 472K-T-A
C431	4030006880	S.CERAMIC	C1608 JB 1H 472K-T-A
C432	4030006880	S.CERAMIC	C1608 JB 1H 472K-T-A
C433	4030006880	S.CERAMIC	C1608 JB 1H 472K-T-A
C434	4030006880	S.CERAMIC	C1608 JB 1H 472K-T-A
C435	4030006880	S.CERAMIC	C1608 JB 1H 472K-T-A
C436	4030006880	S.CERAMIC	C1608 JB 1H 472K-T-A
C437	4030006880	S.CERAMIC	C1608 JB 1H 472K-T-A
C438	4030006880	S.CERAMIC	C1608 JB 1H 472K-T-A
C439	4030006880	S.CERAMIC	C1608 JB 1H 472K-T-A
C440	4030006880	S.CERAMIC	C1608 JB 1H 472K-T-A
C441	4030006880	S.CERAMIC	C1608 JB 1H 472K-T-A
C442	4030006880	S.CERAMIC	C1608 JB 1H 472K-T-A
C443	4030006880	S.CERAMIC	C1608 JB 1H 472K-T-A
C444	4030006880	S.CERAMIC	C1608 JB 1H 472K-T-A
C445	4030006880	S.CERAMIC	C1608 JB 1H 472K-T-A
C446	4030006880	S.CERAMIC	C1608 JB 1H 472K-T-A
C447	4030008920	S.CERAMIC	C1608 JB 1C 473K-T-A
C448	4030008960	S.CERAMIC	C2012 JB 1C 104K-T-A
C451	4030006880	S.CERAMIC	C1608 JB 1H 472K-T-A
C452*	4030006880	S.CERAMIC	C1608 JB 1H 472K-T-A
C453	4030006840	S.CERAMIC	C1608 SL 1H 180J-T-A
C454	4030008960	S.CERAMIC	C2012 JB 1C 104K-T-A
C455	4030008920	S.CERAMIC	C1608 JB 1C 473K-T-A
C456	4030006880	S.CERAMIC	C1608 JB 1H 472K-T-A
C457	4030008660	S.CERAMIC	C1608 SL 1H 220J-T-A
C458	4030010110	S.CERAMIC	C1608 SL 1H 471J-T-A
C461	4030008960	S.CERAMIC	C2012 JB 1C 104K-T-A

S.=Surface mount

[MAIN UNIT]

REF. NO.	ORDER NO.	DESCRIPTION	
C462	4030008900	S.CERAMIC	C1608 JB 1E 103K-T-A
C463	4030008860	S.CERAMIC	C1608 JB 1H 102K-T-A
C464	4030008920	S.CERAMIC	C1608 JB 1C 473K-T-A
C465	4030008900	S.CERAMIC	C1608 JB 1E 103K-T-A
C466	4030008880	S.CERAMIC	C1608 JB 1H 472K-T-A
C467	4030007090	S.CERAMIC	C1608 CH 1H 470J-T-A
C468	4030006580	S.CERAMIC	C1608 SL 1H 070D-T-A
C469	4030007130	S.CERAMIC	C1608 CH 1H 101J-T-A
C470	4030007130	S.CERAMIC	C1608 CH 1H 101J-T-A
C471	4030008880	S.CERAMIC	C1608 JB 1H 472K-T-A
C472	4030008880	S.CERAMIC	C1608 JB 1H 472K-T-A
C473	4030008880	S.CERAMIC	C1608 JB 1H 472K-T-A
C474	4030008880	S.CERAMIC	C1608 JB 1H 472K-T-A
C475	4030007130	S.CERAMIC	C1608 CH 1H 101J-T-A
C477	4510003910	ELECTROLITIC	18 MV 47 HW
C478	4510003830	ELECTROLITIC	50 MV R47 SW
C479	4510003790	ELECTROLITIC	18 MV 10 SW
C480	4030008960	S.CERAMIC	C2012 JB 1C 104K-T-A
C481	4030008960	S.CERAMIC	C2012 JB 1C 104K-T-A
C482	4030008960	S.CERAMIC	C2012 JB 1C 104K-T-A
C484	4030008880	S.CERAMIC	C1608 JB 1H 472K-T-A
C485*	4030008690	S.CERAMIC	C1608 SL 1H 330J-T-A
C486*	4030008810	S.CERAMIC	C1608 SL 1H 271J-T-A
C487*	4030008670	S.CERAMIC	C1608 SL 1H 270J-T-A
C488*	4030007130	S.CERAMIC	C1608 CH 1H 101J-T-A
C489*	4030007080	S.CERAMIC	C1608 CH 1H 390J-T-A
C490*	4030006730	S.CERAMIC	C1608 SL 1H 680J-T-A
C493*	4030006730	S.CERAMIC	C1608 SL 1H 680J-T-A
C495*	4030006730	S.CERAMIC	C1608 SL 1H 680J-T-A
C498*	4030008920	S.CERAMIC	C1608 JB 1C 473K-T-A
C497*	4030008920	S.CERAMIC	C1608 JB 1C 473K-T-A
C498	4030008880	S.CERAMIC	C1608 JB 1H 472K-T-A
C499	4030008880	S.CERAMIC	C1608 JB 1H 472K-T-A
C500	4030008640	S.CERAMIC	C1608 SL 1H 180J-T-A
C501*	4030008920	S.CERAMIC	C1608 JB 1C 473K-T-A
C503	4030008880	S.CERAMIC	C1608 JB 1H 472K-T-A
C504	4030008880	S.CERAMIC	C1608 JB 1H 472K-T-A
C505*	4030006730	S.CERAMIC	C1608 SL 1H 680J-T-A
C506*	4030009230	S.CERAMIC	C1608 SL 1H 240J-T-A
C507	4030006770	S.CERAMIC	C1608 SL 1H 151J-T-A
C508	4510004990	ELECTROLITIC	18 MV 100 HC
C509	4560000050	CERAMIC	D87X5T 1E 684M51
C510	4030006730	S.CERAMIC	C1608 SL 1H 680J-T-A [IC-736]
	4030006700	S.CERAMIC	C1608 SL 1H 390J-T-A [IC-738]
C511	4030006730	S.CERAMIC	C1608 SL 1H 680J-T-A [IC-736]
	4030006760	S.CERAMIC	C1608 SL 1H 121J-T-A [IC-738]
C512	4030008880	S.CERAMIC	C1608 JB 1H 472K-T-A
C513	4030008880	S.CERAMIC	C1608 JB 1H 472K-T-A
C514	4030008880	S.CERAMIC	C1608 JB 1H 472K-T-A
C515	4030008900	S.CERAMIC	C1608 JB 1E 103K-T-A
C516	4510004600	ELECTROLITIC	18 MV 1000 HC
C517	4030008960	S.CERAMIC	C2012 JB 1C 104K-T-A [IC-738 only]
C518	4030008880	S.CERAMIC	C1608 JB 1H 472K-T-A
C519	4510003840	ELECTROLITIC	50 MV 1 SW SA
RL1	6330000050	RELAY	FBR211BD012-M
RL2	6330000540	RELAY	OMR-109F
W3	7120000380	JUMPER	JPW 01 R-01
W4	7120000380	JUMPER	JPW 01 R-01
W5	7030003840	S.JUMPER	ERJ3GE-JPW [IC-738 only]
J1	6510014300	CONNECTOR	52030-1610
J2	6510003420	CONNECTOR	B06B-EH-S
J3	6510003440	CONNECTOR	B08B-EH-S

[MAIN UNIT]

REF. NO.	ORDER NO.	DESCRIPTION	
J4	6510003250	CONNECTOR	TMP-J01X-A2
J5	6510003250	CONNECTOR	TMP-J01X-A2
J6	6510003420	CONNECTOR	B06B-EH-S
J7	6510003460	CONNECTOR	B10B-EH-S
J8	6510003400	CONNECTOR	B04B-EH-S
J9	6510003410	CONNECTOR	B05B-EH-S
J10	6510003410	CONNECTOR	B05B-EH-S
J11	6510003250	CONNECTOR	TMP-J01X-A2
J12	6510003250	CONNECTOR	TMP-J01X-A2
J13	6450000140	CONNECTOR	HSJ0807-01-010
J14	6450000140	CONNECTOR	HSJ0807-01-010
J15	6450001260	CONNECTOR	HLJ4306-01-3080
J16	6450001260	CONNECTOR	HLJ4306-01-3080
J17	6450001130	CONNECTOR	JPJ2042-01-110
J18	6450000160	CONNECTOR	TCS4470-01-1111
J19	6450000170	CONNECTOR	TCS4480-01-1111
J24	6510013780	CONNECTOR	PDK-2081-85
J25	6510013780	CONNECTOR	PDK-2081-85
J26	6510003410	CONNECTOR	B05B-EH-S
J27	6510003400	CONNECTOR	B04B-EH-S
J29	6510003400	CONNECTOR	B04B-EH-S
J30	6510003390	CONNECTOR	B03B-EH-S
J31	6510003390	CONNECTOR	B03B-EH-S
J33	6510002480	CONNECTOR	TSL-P03P-V1
J34	6510003080	CONNECTOR	RT01T-1.0B
EP1	0910044281	PCB	B-4449A

[NOTCH BOARD]

REF. NO.	ORDER NO.	DESCRIPTION	
IC1	1110001220	S.IC	BA4558F T1
IC2	1130005640	S.IC	TC4W53F (TE12L)
IC3	1130005640	S.IC	TC4W53F (TE12L)
R1	7030003410	S.RESISTOR	ERJ3GEYJ 581 V (580 Ω)
R2	7030003640	S.RESISTOR	ERJ3GEYJ 473 V (47 kΩ)
R3	7030003680	S.RESISTOR	ERJ3GEYJ 104 V (100 kΩ)
R4	7030003680	S.RESISTOR	ERJ3GEYJ 104 V (100 kΩ)
R5	7030003780	S.RESISTOR	ERJ3GEYJ 684 V (680 kΩ)
R6	7030003680	S.RESISTOR	ERJ3GEYJ 104 V (100 kΩ)
R7	7030003670	S.RESISTOR	ERJ3GEYJ 823 V (82 kΩ)
R9	7030003680	S.RESISTOR	ERJ3GEYJ 104 V (100 kΩ)
R10	7030003680	S.RESISTOR	ERJ3GEYJ 104 V (100 kΩ)
R11	7030003680	S.RESISTOR	ERJ3GEYJ 104 V (100 kΩ)
R12	7030003680	S.RESISTOR	ERJ3GEYJ 104 V (100 kΩ)
R13	7030003680	S.RESISTOR	ERJ3GEYJ 104 V (100 kΩ)
R14	7030003440	S.RESISTOR	ERJ3GEYJ 102 V (1 kΩ)
R20	7030003560	S.RESISTOR	ERJ3GEYJ 103 V (10 kΩ)
R21	7030003680	S.RESISTOR	ERJ3GEYJ 104 V (100 kΩ)
C1	4030009880	S.CERAMIC	C1608 JB 1H 682K-T-A
C2	4030009880	S.CERAMIC	C1608 JB 1H 682K-T-A
C3	4030008810	S.CERAMIC	C1608 SL 1H 271J-T-A
C4	4550000270	S.TANTALUM	TESVA 1E 474M1-8L
C5	4550000550	S.TANTALUM	TESVA 1V 224M1-8L
C6	4550000460	S.TANTALUM	TESVA 1C 105M1-8L
W1	7030003860	S.JUMPER	ERJ3GE JPW V
W2	7030003860	S.JUMPER	ERJ3GE JPW V
W3	7030003860	S.JUMPER	ERJ3GE JPW V
W4	7030003860	S.JUMPER	ERJ3GE JPW V
W5	7030003860	S.JUMPER	ERJ3GE JPW V
W6	7030003860	S.JUMPER	ERJ3GE JPW V
EP1	0910039971	PCB	B-3962A
EP2	6910002720	LEADFRAM	HFB2.54-0.9-8 (N)

\*=IC-736 only

S.=Surface mount



[SWR BOARD]

REF. NO.	ORDER NO.	DESCRIPTION	
IC1	1110001220	S.IC	BA4558F T1
IC2	1110001220	S.IC	BA4558F T1
Q1	1560000540	S.FET	2SK880-Y (TE85R)
Q2	1560000540	S.FET	2SK880-Y (TE85R)
D1	1750000290	S.DIODE	1SS300 (TE85R)
R1	7030003600	S.RESISTOR	ERJ3GEYJ 223 V (22 kΩ)
R2	7030003560	S.RESISTOR	ERJ3GEYJ 103 V (10 kΩ)
R3	7030003560	S.RESISTOR	ERJ3GEYJ 103 V (10 kΩ)
R4	7030003560	S.RESISTOR	ERJ3GEYJ 103 V (10 kΩ)
R5	7030003630	S.RESISTOR	ERJ3GEYJ 393 V (39 kΩ)
R6	7030003630	S.RESISTOR	ERJ3GEYJ 393 V (39 kΩ)
R7	7030003640	S.RESISTOR	ERJ3GEYJ 473 V (47 kΩ)
R8	7030003640	S.RESISTOR	ERJ3GEYJ 473 V (47 kΩ)
R9	7030003600	S.RESISTOR	ERJ3GEYJ 223 V (22 kΩ)
R10	7030003560	S.RESISTOR	ERJ3GEYJ 103 V (10 kΩ)
R11	7030003560	S.RESISTOR	ERJ3GEYJ 103 V (10 kΩ)
R12	7030003560	S.RESISTOR	ERJ3GEYJ 103 V (10 kΩ)
R13	7030003690	S.RESISTOR	ERJ3GEYJ 124 V (120 kΩ)
R14	7030003560	S.RESISTOR	ERJ3GEYJ 103 V (10 kΩ)
R15	7030003540	S.RESISTOR	ERJ3GEYJ 682 V (6.8 kΩ)
R16	7030003560	S.RESISTOR	ERJ3GEYJ 103 V (10 kΩ)
R17	7030003630	S.RESISTOR	ERJ3GEYJ 393 V (39 kΩ)
R18	7030003800	S.RESISTOR	ERJ3GEYJ 105 V (1 MΩ)
R19	7030003630	S.RESISTOR	ERJ3GEYJ 393 V (39 kΩ)
C1	4030008920	S.CERAMIC	C1608 JB 1C 473K-T-A
C2	4030008900	S.CERAMIC	C1608 JB 1E 103K-T-A
C3	4030008920	S.CERAMIC	C1608 JB 1C 473K-T-A
C4	4030008920	S.CERAMIC	C1608 JB 1C 473K-T-A
C5	4030008920	S.CERAMIC	C1608 JB 1C 473K-T-A
C6	4030008850	S.CERAMIC	C1608 JB 1H 471K-T-A
C7	4030008770	S.CERAMIC	C1608 JB 1H 562K-T-A
EP1	0910039961	PCB	B-3961A
EP2	6910002720	LEADFRAM	HFB2.54-0.9-8 (N)

[PLL UNIT]

REF. NO.	ORDER NO.	DESCRIPTION	
Q23	1530002560	S.TRANSISTOR	2SC4403-3-TR
Q24	1530002600	S.TRANSISTOR	2SC4215-O (TE85R)
Q28	1530002600	S.TRANSISTOR	2SC4215-O (TE85R)
Q30	1530002060	S.TRANSISTOR	2SC4081 T107 R
Q33	1530002060	S.TRANSISTOR	2SC4081 T107 R
Q37	1590000680	S.TRANSISTOR	DTC114EU T107
Q38	1530002060	S.TRANSISTOR	2SC4081 T107 R
Q39*	1530002600	S.TRANSISTOR	2SC4215-O (TE85R)
D1	1790000540	S.VARICAP	MA338(TX)
D2	1790000620	S.DIODE	MA77(TW)
D3	1790000540	S.VARICAP	MA338(TX)
D4	1790000620	S.DIODE	MA77(TW)
D5	1790000540	S.VARICAP	MA338(TX)
D6	1790000620	S.DIODE	MA77(TW)
D7	1790000540	S.VARICAP	MA338(TX)
D8	1790000620	S.DIODE	MA77(TW)
D9*	1790000540	S.VARICAP	MA338(TX)
D10*	1790000620	S.DIODE	MA77(TW)
D11	1790000620	S.DIODE	MA77(TW)
D13	1750000270	S.DIODE	1SS301 (TE85R)
D14	1750000270	S.DIODE	1SS301 (TE85R)
D16	1790000540	S.VARICAP	MA338(TX)
D19	1730000840	S.ZENER	RD9.1M-T2B2
D20*	1750000380	S.DIODE	1SS312(TE85R)
D21*	1750000380	S.DIODE	1SS312(TE85R)
D22*	1750000380	S.DIODE	1SS312(TE85R)
D23*	1750000380	S.DIODE	1SS312(TE85R)
X1	6050005710	XTAL	CR-275
L1	6140002220	COIL	LR-270
L2	6190000950	COIL	C-13975-6.5T
L3	6170000230	COIL	LW-25
L4	6140002220	COIL	LR-270
L5	6190000950	COIL	C-13975-6.5T
L6	6170000230	COIL	LW-25
L7	6140002220	COIL	LR-270
L8	6190000950	COIL	C-13975-6.5T
L9	6170000230	COIL	LW-25
L10	6140002220	COIL	LR-270
L11	6190000950	COIL	C-13975-6.5T
L12	6170000230	COIL	LW-25
L13*	6140002220	COIL	LR-270
L14*	6190000960	COIL	C-13975-5.5T
L15*	6170000230	COIL	LW-25
L16	6200003260	S.COIL	NL 322522T-101J
L17	6200003260	S.COIL	NL 322522T-101J
L18	6200002980	S.COIL	NL 322522T-R56J-3
L19	6200003260	S.COIL	NL 322522T-101J
L20	6110001560	COIL	LA-236
L21	6110002050	COIL	LA-229
L22	6110002050	COIL	LA-229
L23	6200003260	S.COIL	NL 322522T-101J
L27	6200001830	S.COIL	NL 322522T-100J
L28	6170000230	COIL	LW-25
L29	6150000760	COIL	LS-94
L30	6200003260	S.COIL	NL 322522T-101J
L31	6200003260	S.COIL	NL 322522T-101J
L32	6200003260	S.COIL	NL 322522T-101J
L33	6150000990	COIL	LS-114
L34	6150000990	COIL	LS-114
L35	6200003260	S.COIL	NL 322522T-101J
L36	6200003260	S.COIL	NL 322522T-101J
L37	6200001830	S.COIL	NL 322522T-100J
L38	6200001830	S.COIL	NL 322522T-100J
L39	6180002960	S.COIL	NL 322522T-R18J-3
L40	6200003010	S.COIL	NL 322522T-R27J-3
L41	6200003010	S.COIL	NL 322522T-R27J-3
L42	6200003260	S.COIL	NL 322522T-101J
L46	6140002220	COIL	LR-270

[PLL UNIT]

REF. NO.	ORDER NO.	DESCRIPTION	
IC2	1130007131	S.IC	TC74HC390AF(EL)
IC3	1130006440	S.IC	TC7S08F (TE85R)
IC4	1110002020	IC	TA7805S
IC5	1110001900	S.IC	μPC4570G2-T1
IC6	1130007700	S.IC	BU4094BCF-T1
IC8	1110003440	S.IC	μPC1886G-E1
IC9	1110003440	S.IC	μPC1886G-E1
IC10	1130000330	IC	TC5081AP
IC11*	1130005720	S.IC	TC7W04F (TE12L)
IC201	1140003641	S.IC	SC-1246 (L7B1106)
Q1	1560000330	S.FET	2SK210-GR (TE85R)
Q2	1590000680	S.TRANSISTOR	DTC114EU T107
Q3	1560000330	S.FET	2SK210-GR (TE85R)
Q4	1590000680	S.TRANSISTOR	DTC114EU T107
Q5	1560000330	S.FET	2SK210-GR (TE85R)
Q6	1590000680	S.TRANSISTOR	DTC114EU T107
Q7	1560000330	S.FET	2SK210-GR (TE85R)
Q8	1590000680	S.TRANSISTOR	DTC114EU T107
Q9*	1560000330	S.FET	2SK210-GR (TE85R)
Q10*	1590000680	S.TRANSISTOR	DTC114EU T107
Q11	1530002600	S.TRANSISTOR	2SC4215-O (TE85R)
Q12	1530002600	S.TRANSISTOR	2SC4215-O (TE85R)
Q13	1590000680	S.TRANSISTOR	DTC114EU T107
Q22	1530002600	S.TRANSISTOR	2SC4215-O (TE85R)

\*=IC-736 only

S.=Surface mount



[PLL UNIT]

REF. NO.	ORDER NO.	DESCRIPTION	
L47	6190000950	COIL	C-13975-6.5T
L48	6200002960	S.COIL	NL 322522T-4R7J-3
L49	6200001830	S.COIL	NL 322522T-100J
L59	6200003260	S.COIL	NL 322522T-101J
L60	6200003120	S.COIL	NL 322522T-8R2J
L62	6200001830	S.COIL	NL 322522T-100J
L63	6200001830	S.COIL	NL 322522T-100J
L64	6200001830	S.COIL	NL 322522T-100J
L65	6200001830	S.COIL	NL 322522T-100J
L66*	6200001830	S.COIL	NL 322522T-100J
L67	6200001830	S.COIL	NL 322522T-100J
L68	6180002960	S.COIL	NL 322522T-R18J-3
L69	6180002960	S.COIL	NL 322522T-R18J-3
L70*	6200003420	S.COIL	NL 322522T-R15J-3
L71*	6200003420	S.COIL	NL 322522T-R15J-3
L81*	6200003430	S.COIL	NL 322522T-R10J
L82*	6200003430	S.COIL	NL 322522T-R10J
L83*	6200003430	S.COIL	NL 322522T-R10J
L84*	6200003430	S.COIL	NL 322522T-R10J
L85*	6200003260	S.COIL	NL 322522T-101J
L87*	6140002220	COIL	LR-270
L88	6110002050	COIL	LA-229
L201	6200003230	S.COIL	NL 322522T-181J
L202	6200003230	S.COIL	NL 322522T-181J
L203	6200003230	S.COIL	NL 322522T-181J
R1	7030003680	S.RESISTOR	ERJ3GEYJ 104 V (100 kΩ)
R2	7030003680	S.RESISTOR	ERJ3GEYJ 104 V (100 kΩ)
R3	7030003340	S.RESISTOR	ERJ3GEYJ 151 V (150 Ω)
R4	7030003500	S.RESISTOR	ERJ3GEYJ 332 V (3.3 kΩ)
R7	7030003680	S.RESISTOR	ERJ3GEYJ 104 V (100 kΩ)
R8	7030003680	S.RESISTOR	ERJ3GEYJ 104 V (100 kΩ)
R9	7030003340	S.RESISTOR	ERJ3GEYJ 151 V (150 Ω)
R10	7030003500	S.RESISTOR	ERJ3GEYJ 332 V (3.3 kΩ)
R13	7030003680	S.RESISTOR	ERJ3GEYJ 104 V (100 kΩ)
R14	7030003680	S.RESISTOR	ERJ3GEYJ 104 V (100 kΩ)
R15	7030003340	S.RESISTOR	ERJ3GEYJ 151 V (150 Ω)
R16	7030003500	S.RESISTOR	ERJ3GEYJ 332 V (3.3 kΩ)
R19	7030003680	S.RESISTOR	ERJ3GEYJ 104 V (100 kΩ)
R20	7030003680	S.RESISTOR	ERJ3GEYJ 104 V (100 kΩ)
R21	7030003340	S.RESISTOR	ERJ3GEYJ 151 V (150 Ω)
R22	7030003500	S.RESISTOR	ERJ3GEYJ 332 V (3.3 kΩ)
R25*	7030003680	S.RESISTOR	ERJ3GEYJ 104 V (100 kΩ)
R26*	7030003680	S.RESISTOR	ERJ3GEYJ 104 V (100 kΩ)
R27*	7030003340	S.RESISTOR	ERJ3GEYJ 151 V (150 Ω)
R28*	7030003500	S.RESISTOR	ERJ3GEYJ 332 V (3.3 kΩ)
R31	7030003340	S.RESISTOR	ERJ3GEYJ 151 V (150 Ω)
R32	7030003280	S.RESISTOR	ERJ3GEYJ 470 V (47 Ω)
R33	7030003520	S.RESISTOR	ERJ3GEYJ 472 V (4.7 kΩ)
R34	7030003380	S.RESISTOR	ERJ3GEYJ 331 V (330 Ω)
R35	7030003360	S.RESISTOR	ERJ3GEYJ 221 V (220 Ω)
R36	7030003320	S.RESISTOR	ERJ3GEYJ 101 V (100 Ω)
R37	7030003530	S.RESISTOR	ERJ3GEYJ 562 V (5.6 kΩ)
R38	7030003440	S.RESISTOR	ERJ3GEYJ 102 V (1 kΩ)
R39	7030003360	S.RESISTOR	ERJ3GEYJ 221 V (220 Ω)
R40	7030003260	S.RESISTOR	ERJ3GEYJ 330 V (33 Ω)
R41	7030003280	S.RESISTOR	ERJ3GEYJ 470 V (47 Ω)
R42	7030003560	S.RESISTOR	ERJ3GEYJ 103 V (10 kΩ)
R43	7030003560	S.RESISTOR	ERJ3GEYJ 103 V (10 kΩ)
R47	7030003540	S.RESISTOR	ERJ3GEYJ 682 V (6.8 kΩ)
R48	7030003360	S.RESISTOR	ERJ3GEYJ 221 V (220 Ω)
R49	7030003540	S.RESISTOR	ERJ3GEYJ 682 V (6.8 kΩ)
R50	7030003360	S.RESISTOR	ERJ3GEYJ 221 V (220 Ω)
R51	7030003320	S.RESISTOR	ERJ3GEYJ 101 V (100 Ω)
R52	7030003400	S.RESISTOR	ERJ3GEYJ 471 V (470 Ω)
R53	7030003480	S.RESISTOR	ERJ3GEYJ 222 V (2.2 kΩ)
R59	7030003580	S.RESISTOR	ERJ3GEYJ 153 V (15 kΩ)
R60	7030003520	S.RESISTOR	ERJ3GEYJ 472 V (4.7 kΩ)
R61	7030003400	S.RESISTOR	ERJ3GEYJ 471 V (470 Ω)
R64	7030003590	S.RESISTOR	ERJ3GEYJ 183 V (18 kΩ)
R65	7030003380	S.RESISTOR	ERJ3GEYJ 331 V (330 Ω)
R66	7030003360	S.RESISTOR	ERJ3GEYJ 221 V (220 Ω)
R67	7030003660	S.RESISTOR	ERJ3GEYJ 683 V (68 kΩ)
R68	7030003600	S.RESISTOR	ERJ3GEYJ 223 V (22 kΩ)

[PLL UNIT]

REF. NO.	ORDER NO.	DESCRIPTION	
R69	7030003360	S.RESISTOR	ERJ3GEYJ 221 V (220 Ω)
R70	7030003320	S.RESISTOR	ERJ3GEYJ 101 V (100 Ω)
R71	7070000260	RESISTOR	CRH200 R-02J 22 Ω (220)
R76	7030003440	S.RESISTOR	ERJ3GEYJ 102 V (1 kΩ)
R77	7030003440	S.RESISTOR	ERJ3GEYJ 102 V (1 kΩ)
R78	7030003440	S.RESISTOR	ERJ3GEYJ 102 V (1 kΩ)
R79	7030003440	S.RESISTOR	ERJ3GEYJ 102 V (1 kΩ)
R80	7030003440	S.RESISTOR	ERJ3GEYJ 102 V (1 kΩ)
R95	7030003360	S.RESISTOR	ERJ3GEYJ 221 V (220 Ω)
R96	7030003400	S.RESISTOR	ERJ3GEYJ 471 V (470 Ω)
R97	7030003600	S.RESISTOR	ERJ3GEYJ 223 V (22 kΩ)
R98	7030003560	S.RESISTOR	ERJ3GEYJ 103 V (10 kΩ)
R102	7030003280	S.RESISTOR	ERJ3GEYJ 470 V (47 Ω)
R105	7030003300	S.RESISTOR	ERJ3GEYJ 680 V (68 Ω)
R106	7030003640	S.RESISTOR	ERJ3GEYJ 473 V (47 kΩ)
R107	7030003360	S.RESISTOR	ERJ3GEYJ 221 V (220 Ω)
R108	7030003280	S.RESISTOR	ERJ3GEYJ 470 V (47 Ω)
R112	7030003290	S.RESISTOR	ERJ3GEYJ 560 V (56 Ω)
R117*	7030003480	S.RESISTOR	ERJ3GEYJ 222 V (2.2 kΩ)
R130	7030003760	S.RESISTOR	ERJ3GEYJ 474 V (470 kΩ)
R131	7030003480	S.RESISTOR	ERJ3GEYJ 222 V (2.2 kΩ)
R132	7030003540	S.RESISTOR	ERJ3GEYJ 682 V (6.8 kΩ)
R133	7030003350	S.RESISTOR	ERJ3GEYJ 181 V (180 Ω)
R136	7030003400	S.RESISTOR	ERJ3GEYJ 471 V (470 Ω)
R137	7030003680	S.RESISTOR	ERJ3GEYJ 104 V (100 kΩ)
R138	7030003680	S.RESISTOR	ERJ3GEYJ 104 V (100 kΩ)
R139	7030003480	S.RESISTOR	ERJ3GEYJ 222 V (2.2 kΩ)
R145*	7030003480	S.RESISTOR	ERJ3GEYJ 222 V (2.2 kΩ)
R146*	7030003440	S.RESISTOR	ERJ3GEYJ 102 V (1 kΩ)
R147*	7030003440	S.RESISTOR	ERJ3GEYJ 102 V (1 kΩ)
R148*	7030003300	S.RESISTOR	ERJ3GEYJ 680 V (68 Ω)
R149*	7030003480	S.RESISTOR	ERJ3GEYJ 222 V (2.2 kΩ)
R150*	7030003480	S.RESISTOR	ERJ3GEYJ 222 V (2.2 kΩ)
R151*	7030003480	S.RESISTOR	ERJ3GEYJ 222 V (2.2 kΩ)
R152	7030003560	S.RESISTOR	ERJ3GEYJ 103 V (10 kΩ)
	7030003540	S.RESISTOR	ERJ3GEYJ 682 V (6.8 kΩ)
			[IC-736]
R154*	7030003400	S.RESISTOR	ERJ3GEYJ 471 V (470 Ω)
R157*	7030003440	S.RESISTOR	ERJ3GEYJ 102 V (1 kΩ)
R158*	7030003440	S.RESISTOR	ERJ3GEYJ 102 V (1 kΩ)
R159*	7030003300	S.RESISTOR	ERJ3GEYJ 680 V (68 Ω)
R160*	7030003640	S.RESISTOR	ERJ3GEYJ 473 V (47 kΩ)
R161	7030003340	S.RESISTOR	ERJ3GEYJ 151 V (150 Ω)
R162	7030003200	S.RESISTOR	ERJ3GEYJ 100 V (10 Ω)
R201	7030003640	S.RESISTOR	ERJ3GEYJ 473 V (47 kΩ)
R205	7030005400	S.RESISTOR	RR0816P-202-D (2 kΩ)
R206	7030005400	S.RESISTOR	RR0816P-202-D (2 kΩ)
R207	7030005390	S.RESISTOR	RR0816P-102-D (1 kΩ)
R208	7030005400	S.RESISTOR	RR0816P-202-D (2 kΩ)
R209	7030005390	S.RESISTOR	RR0816P-102-D (1 kΩ)
R210	7030005400	S.RESISTOR	RR0816P-202-D (2 kΩ)
R211	7030005390	S.RESISTOR	RR0816P-102-D (1 kΩ)
R212	7030005400	S.RESISTOR	RR0816P-202-D (2 kΩ)
R213	7030005390	S.RESISTOR	RR0816P-102-D (1 kΩ)
R214	7030005400	S.RESISTOR	RR0816P-202-D (2 kΩ)
R215	7030005390	S.RESISTOR	RR0816P-102-D (1 kΩ)
R216	7030005400	S.RESISTOR	RR0816P-202-D (2 kΩ)
R217	7030005390	S.RESISTOR	RR0816P-102-D (1 kΩ)
R218	7030005400	S.RESISTOR	RR0816P-202-D (2 kΩ)
R219	7030005380	S.RESISTOR	RR0816P-102-B (1 kΩ)
R220	7030005370	S.RESISTOR	RR0816P-202-B (2 kΩ)
R221	7030005380	S.RESISTOR	RR0816P-102-B (1 kΩ)
R222	7030005370	S.RESISTOR	RR0816P-202-B (2 kΩ)
R223	7030005380	S.RESISTOR	RR0816P-102-B (1 kΩ)
R224	7030005370	S.RESISTOR	RR0816P-202-B (2 kΩ)
R225	7030005380	S.RESISTOR	RR0816P-102-B (1 kΩ)
R226	7030005370	S.RESISTOR	RR0816P-202-B (2 kΩ)
R227	7030005380	S.RESISTOR	RR0816P-102-B (1 kΩ)
R228	7030005370	S.RESISTOR	RR0816P-202-B (2 kΩ)
R229	7030003400	S.RESISTOR	ERJ3GEYJ 471 V (470 Ω)
R230	7030003370	S.RESISTOR	ERJ3GEYJ 271 V (270 Ω)
R231	7030003230	S.RESISTOR	ERJ3GEYJ 180 V (18 Ω)
R232	7030003370	S.RESISTOR	ERJ3GEYJ 271 V (270 Ω)
R233	7030003350	S.RESISTOR	ERJ3GEYJ 181 V (180 Ω)

\*=IC-736 only

S.=Surface mount

[PLL UNIT]

REF. NO.	ORDER NO.	DESCRIPTION	
R234	7030003420	S.RESISTOR	ERJ3GEYJ 681 V (680 Ω) [IC-736]
	7030003480	S.RESISTOR	ERJ3GEYJ 222 V (2.2 k Ω) [IC-738]
R235*	7030003290	S.RESISTOR	ERJ3GEYJ 560 V (56 Ω)
C1	4030007130	S.CERAMIC	C1608 CH 1H 101J-T-A
C2	4030007040	S.CERAMIC	C1608 CH 1H 180J-T-A
C3	4610001270	S.TRIMMER	ECR-JA010 A12W
C4	4030007110	S.CERAMIC	C1608 CH 1H 680J-T-A
C5	4030007020	S.CERAMIC	C1608 CH 1H 120J-T-A
C6	4030007020	S.CERAMIC	C1608 CH 1H 120J-T-A
C7	4030006880	S.CERAMIC	C1608 JB 1H 472K-T-A
C8	4030006540	S.CERAMIC	C1608 SL 1H 030C-T-A
C10	4030007110	S.CERAMIC	C1608 CH 1H 680J-T-A
C11	4030007030	S.CERAMIC	C1608 CH 1H 150J-T-A
C12	4610001270	S.TRIMMER	ECR-JA010 A12W
C13	4030007090	S.CERAMIC	C1608 CH 1H 470J-T-A
C14	4030007020	S.CERAMIC	C1608 CH 1H 120J-T-A
C15	4030007020	S.CERAMIC	C1608 CH 1H 120J-T-A
C16	4030006880	S.CERAMIC	C1608 JB 1H 472K-T-A
C17	4030006520	S.CERAMIC	C1608 SL 1H 010C-T-A
C19	4030007090	S.CERAMIC	C1608 CH 1H 470J-T-A
C20	4030007010	S.CERAMIC	C1608 CH 1H 100D-T-A
C21	4610001170	S.TRIMMER	ECR-JA006 A12W
C22	4030007090	S.CERAMIC	C1608 CH 1H 470J-T-A
C23	4030007020	S.CERAMIC	C1608 CH 1H 120J-T-A
C24	4030007020	S.CERAMIC	C1608 CH 1H 120J-T-A
C25	4030006880	S.CERAMIC	C1608 JB 1H 472K-T-A
C26	4030006520	S.CERAMIC	C1608 SL 1H 010C-T-A
C28	4030007090	S.CERAMIC	C1608 CH 1H 470J-T-A
C29	4030006860	S.CERAMIC	C1608 CH 1H 050C-T-A
C30	4610001170	S.TRIMMER	ECR-JA006 A12W
C31	4030007070	S.CERAMIC	C1608 CH 1H 330J-T-A
C32	4030007020	S.CERAMIC	C1608 CH 1H 120J-T-A
C33	4030007020	S.CERAMIC	C1608 CH 1H 120J-T-A
C34	4030006880	S.CERAMIC	C1608 JB 1H 472K-T-A
C35	4030006520	S.CERAMIC	C1608 SL 1H 010C-T-A
C37*	4030007070	S.CERAMIC	C1608 CH 1H 330J-T-A
C38*	4030006930	S.CERAMIC	C1608 CH 1H 020C-T-A
C39*	4610001170	S.TRIMMER	ECR-JA006 A12W
C40*	4030007090	S.CERAMIC	C1608 CH 1H 470J-T-A
C41*	4030006940	S.CERAMIC	C1608 CH 1H 030C-T-A
C42*	4030006940	S.CERAMIC	C1608 CH 1H 030C-T-A
C43*	4030006880	S.CERAMIC	C1608 JB 1H 472K-T-A
C44*	4030006520	S.CERAMIC	C1608 SL 1H 010C-T-A
C47	4510005240	ELECTROLITIC	16 MV 22 SWB
C48	4030006820	S.CERAMIC	C1608 JB 1C 473K-T-A
C50	4030006880	S.CERAMIC	C1608 JB 1H 472K-T-A
C51	4030006880	S.CERAMIC	C1608 JB 1H 472K-T-A
C52	4030006850	S.CERAMIC	C1608 JB 1H 471K-T-A
C53	4030006800	S.CERAMIC	C1608 SL 1H 221J-T-A
C54	4030006880	S.CERAMIC	C1608 JB 1H 472K-T-A
C55	4030006880	S.CERAMIC	C1608 JB 1H 472K-T-A
C56	4030006670	S.CERAMIC	C1608 SL 1H 270J-T-A
C57	4030006620	S.CERAMIC	C1608 SL 1H 120J-T-A
C58	4030006690	S.CERAMIC	C1608 SL 1H 330J-T-A
C59	4030006580	S.CERAMIC	C1608 SL 1H 070D-T-A
C60	4030006620	S.CERAMIC	C1608 SL 1H 120J-T-A
C61	4030006690	S.CERAMIC	C1608 SL 1H 330J-T-A
C62	4030006860	S.CERAMIC	C1608 JB 1H 102K-T-A
C65	4030006880	S.CERAMIC	C1608 JB 1H 472K-T-A
C69	4510005250	ELECTROLITIC	50 MV 2R2 SWNP
C70	4510005250	ELECTROLITIC	50 MV 2R2 SWNP
C71	4510004990	ELECTROLITIC	16 MV 100 HC
C72	4510004990	ELECTROLITIC	16 MV 100 HC
C73	4030006880	S.CERAMIC	C1608 JB 1H 472K-T-A
C77	4510003910	ELECTROLITIC	16 MV 47 HW
C78	4030006920	S.CERAMIC	C1608 JB 1C 473K-T-A
C79	4610001260	S.TRIMMER	ECR-JA020 E12W
C80	4030008300	S.CERAMIC	C1608 UJ 1H 330J-T-A
C81	4030008100	S.CERAMIC	C1608 TH 1H 820J-T-A
C82	4030006880	S.CERAMIC	C1608 JB 1H 472K-T-A
C83	4030008110	S.CERAMIC	C1608 TH 1H 101J-T-A

[PLL UNIT]

REF. NO.	ORDER NO.	DESCRIPTION	
C84	4030006880	S.CERAMIC	C1608 JB 1H 472K-T-A
C86	4030006880	S.CERAMIC	C1608 JB 1H 472K-T-A
C87	4030006880	S.CERAMIC	C1608 JB 1H 472K-T-A
C88	4030006920	S.CERAMIC	C1608 JB 1C 473K-T-A
C90	4030006860	S.CERAMIC	C1608 JB 1H 102K-T-A
C91	4030006800	S.CERAMIC	C1608 SL 1H 221J-T-A
C92	4030006880	S.CERAMIC	C1608 JB 1H 472K-T-A
C93	4030006920	S.CERAMIC	C1608 JB 1C 473K-T-A
C94	4030006600	S.CERAMIC	C1608 SL 1H 090D-T-A
C95	4030006510	S.CERAMIC	C1608 SL 1H 0R5C-T-A
C96	4030006600	S.CERAMIC	C1608 SL 1H 090D-T-A
C97	4510003790	ELECTROLITIC	16 MV 10 SW
C98	4030006920	S.CERAMIC	C1608 JB 1C 473K-T-A
C99	4030006920	S.CERAMIC	C1608 JB 1C 473K-T-A
C100	4510003790	ELECTROLITIC	16 MV 10 SW
C104	4030006920	S.CERAMIC	C1608 JB 1C 473K-T-A
C105	4030006880	S.CERAMIC	C1608 JB 1H 472K-T-A
C108	4030006880	S.CERAMIC	C1608 JB 1H 472K-T-A
C108*	4030006880	S.CERAMIC	C1608 JB 1H 472K-T-A
C109	4030006690	S.CERAMIC	C1608 SL 1H 330J-T-A
C110	4030006880	S.CERAMIC	C1608 JB 1H 472K-T-A
C111	4030006880	S.CERAMIC	C1608 JB 1H 472K-T-A
C113	4030006880	S.CERAMIC	C1608 JB 1H 472K-T-A
C114	4030006710	S.CERAMIC	C1608 SL 1H 470J-T-A
C115	4030006700	S.CERAMIC	C1608 SL 1H 390J-T-A
C116	4030006740	S.CERAMIC	C1608 SL 1H 820J-T-A
C117	4030006620	S.CERAMIC	C1608 SL 1H 120J-T-A
C118	4030006750	S.CERAMIC	C1608 SL 1H 101J-T-A
C119	4030006560	S.CERAMIC	C1608 SL 1H 050C-T-A
C120	4030006730	S.CERAMIC	C1608 SL 1H 680J-T-A
C121	4030006880	S.CERAMIC	C1608 JB 1H 472K-T-A
C125	4030006990	S.CERAMIC	C1608 CH 1H 080D-T-A
C126	4030007750	S.CERAMIC	C1608 SH 1H 120J-T-A [IC-736]
	4030007080	S.CERAMIC	C1608 CH 1H 470J-T-A [IC-738]
C127	4610001170	S.TRIMMER	ECR-JA006 A12W
C128	4030007040	S.CERAMIC	C1608 CH 1H 180J-T-A
C129	4030007140	S.CERAMIC	C1608 CH 1H 121J-T-A
C130	4030007140	S.CERAMIC	C1608 CH 1H 121J-T-A
C131	4030006860	S.CERAMIC	C1608 JB 1H 102K-T-A
C132	4030006880	S.CERAMIC	C1608 JB 1H 472K-T-A
C150	4030006880	S.CERAMIC	C1608 JB 1H 472K-T-A
C151	4030006880	S.CERAMIC	C1608 JB 1H 472K-T-A
C154	4030006920	S.CERAMIC	C1608 JB 1C 473K-T-A
C155	4030006920	S.CERAMIC	C1608 JB 1C 473K-T-A
C156	4030006960	S.CERAMIC	C2012 JB 1C 104K-T-A
C157	4030006870	S.CERAMIC	C1608 JB 1H 222K-T-A
C158	4030006830	S.CERAMIC	C1608 SL 1H 331J-T-A
C159	4030006870	S.CERAMIC	C1608 JB 1H 222K-T-A
C160	4030006860	S.CERAMIC	C1608 JB 1H 102K-T-A
C161	4030006880	S.CERAMIC	C1608 JB 1H 472K-T-A
C162	4030006880	S.CERAMIC	C1608 JB 1H 472K-T-A
C163	4030006690	S.CERAMIC	C1608 SL 1H 330J-T-A
C164	4030006920	S.CERAMIC	C1608 JB 1C 473K-T-A
C165*	4030006880	S.CERAMIC	C1608 JB 1H 472K-T-A
C166*	4030006920	S.CERAMIC	C1608 JB 1C 473K-T-A
C201	4030006780	S.CERAMIC	C1608 SL 1H 181J-T-A
C202	4030006660	S.CERAMIC	C1608 SL 1H 220J-T-A
C203	4030006800	S.CERAMIC	C1608 SL 1H 221J-T-A
C204	4030006710	S.CERAMIC	C1608 SL 1H 470J-T-A
C205	4030006780	S.CERAMIC	C1608 SL 1H 181J-T-A
C206	4030006920	S.CERAMIC	C1608 JB 1C 473K-T-A
C207	4030006920	S.CERAMIC	C1608 JB 1C 473K-T-A
C208	4030006920	S.CERAMIC	C1608 JB 1C 473K-T-A
C209	4030006920	S.CERAMIC	C1608 JB 1C 473K-T-A
C210	4030006920	S.CERAMIC	C1608 JB 1C 473K-T-A
C211	4030006920	S.CERAMIC	C1608 JB 1C 473K-T-A
C212	4030006920	S.CERAMIC	C1608 JB 1C 473K-T-A
C213	4030006920	S.CERAMIC	C1608 JB 1C 473K-T-A
C214	4030006920	S.CERAMIC	C1608 JB 1C 473K-T-A
C215	4030006920	S.CERAMIC	C1608 JB 1C 473K-T-A
C216	4030006920	S.CERAMIC	C1608 JB 1C 473K-T-A
C217	4030006920	S.CERAMIC	C1608 JB 1C 473K-T-A
C218	4030006920	S.CERAMIC	C1608 JB 1C 473K-T-A
C219	4030006920	S.CERAMIC	C1608 JB 1C 473K-T-A

\*=IC-736 only

S.=Surface mount

[PLL UNIT]

REF. NO.	ORDER NO.	DESCRIPTION	
C220	4030008880	S.CERAMIC	C1808 JB 1H 472K-T-A
C221*	4030008880	S.CERAMIC	C1808 JB 1H 472K-T-A
C222	4030008880	S.CERAMIC	C1808 JB 1H 472K-T-A
C223	4030008880	S.CERAMIC	C1808 JB 1H 472K-T-A
C224	4030008880	S.CERAMIC	C1808 JB 1H 472K-T-A
C225	4030008880	S.CERAMIC	C1808 JB 1H 472K-T-A
C226	4030008880	S.CERAMIC	C1808 JB 1H 472K-T-A
C227	4030008880	S.CERAMIC	C1808 JB 1H 472K-T-A
C228	4030008880	S.CERAMIC	C1808 JB 1H 472K-T-A
C229	4030008880	S.CERAMIC	C1808 JB 1H 472K-T-A
C230*	4030008880	S.CERAMIC	C1808 JB 1H 472K-T-A
C231	4030008880	S.CERAMIC	C1808 JB 1H 472K-T-A
C232	4030008880	S.CERAMIC	C1808 JB 1H 472K-T-A
C233	4030008880	S.CERAMIC	C1808 JB 1H 472K-T-A
C234	4030008880	S.CERAMIC	C1808 JB 1H 472K-T-A
C235	4030008880	S.CERAMIC	C1808 JB 1H 472K-T-A
C236	4030008880	S.CERAMIC	C1808 JB 1H 472K-T-A
C237	4030008880	S.CERAMIC	C1808 JB 1H 472K-T-A
C238	4030008880	S.CERAMIC	C1808 JB 1H 472K-T-A
C240	4030008880	S.CERAMIC	C1808 JB 1H 472K-T-A
C241	4030008720	S.CERAMIC	C1808 SL 1H 560J-T-A
C242	4030008610	S.CERAMIC	C1808 SL 1H 100D-T-A
C243	4030008710	S.CERAMIC	C1808 SL 1H 470J-T-A
C244*	4030008690	S.CERAMIC	C1808 SL 1H 330J-T-A
C245*	4030008580	S.CERAMIC	C1808 SL 1H 050C-T-A
C246*	4030008690	S.CERAMIC	C1808 SL 1H 330J-T-A
C247*	4030008670	S.CERAMIC	C1808 SL 1H 270J-T-A
C248*	4030008730	S.CERAMIC	C1808 SL 1H 680J-T-A
C249*	4030008640	S.CERAMIC	C1808 SL 1H 180J-T-A
C250*	4030008810	S.CERAMIC	C1808 SL 1H 271J-T-A
C251*	4030008630	S.CERAMIC	C1808 SL 1H 150J-T-A
C252*	4030008670	S.CERAMIC	C1808 SL 1H 270J-T-A
C253*	4030008590	S.CERAMIC	C1808 SL 1H 080D-T-A
C254*	4030008710	S.CERAMIC	C1808 SL 1H 470J-T-A
C255*	4030008880	S.CERAMIC	C1808 JB 1H 472K-T-A
C256*	4030008880	S.CERAMIC	C1808 JB 1H 472K-T-A
C257*	4030008880	S.CERAMIC	C1808 JB 1H 472K-T-A
C259*	4030008880	S.CERAMIC	C1808 JB 1H 472K-T-A
C260*	4030008990	S.CERAMIC	C1808 CH 1H 080D-T-A
C261*	4030008750	S.CERAMIC	C1808 CH 1H 360J-T-A
C262*	4610001270	S.TRIMMER	ECR-JA010 A12W
C264	4030008880	S.CERAMIC	C1808 JB 1H 472K-T-A
C265	4030008880	S.CERAMIC	C1808 JB 1H 472K-T-A
C266	4030008880	S.CERAMIC	C1808 JB 1H 472K-T-A
C267	4030008880	S.CERAMIC	C1808 JB 1H 472K-T-A
C268	4030008880	S.CERAMIC	C1808 JB 1H 472K-T-A
C269	4030008880	S.CERAMIC	C1808 JB 1H 472K-T-A
C270	4030008880	S.CERAMIC	C1808 JB 1H 472K-T-A
C271*	4030008880	S.CERAMIC	C1808 JB 1H 472K-T-A
C272	4030008880	S.CERAMIC	C1808 JB 1H 472K-T-A
C273	4030008880	S.CERAMIC	C1808 JB 1H 472K-T-A
C274	4030008710	S.CERAMIC	C1808 SL 1H 470J-T-A
C275	4030008660	S.CERAMIC	C1808 SL 1H 220J-T-A
C276*	4030008640	S.CERAMIC	C1808 SL 1H 180J-T-A
C277	4030008750	S.CERAMIC	C1808 SL 1H 101J-T-A
W6	7120000010	JUMPER	JPW 02A
J3	6510014300	CONNECTOR	52030-1610
J4	6510003080	CONNECTOR	RT01T-1.0B
J5	6510003080	CONNECTOR	RT01T-1.0B
EP1	0910039728	PCB	B-3825F

[REAR PANEL]

REF. NO.	ORDER NO.	DESCRIPTION	
Q1	1520000290	TRANSISTOR	2SB1015-Y
MF1	2710000330	FAN	FBA08A12HA [IC-736]
	2710000520	FAN	SB0812H-ICON00 [IC-738]
MF2	2710000470	FAN	MF80B-12H901
FI1*	2040000220	FILTER	10DEEG3M
SP1	2510000040	SPEAKER	C065K1210810
J2	6510004880	CONNECTOR	MR-DS-E 01
J3	6510004880	CONNECTOR	MR-DS-E 01
EP1	6910008111	UNIT BOARD	RPS-3604-1
EP4	8930030420	COVER	FG60B

[FILTER UNIT]

REF. NO.	ORDER NO.	DESCRIPTION	
D1	1790000070	DIODE	1SS237
D2	1790000070	DIODE	1SS237
D3	1710000030	DIODE	1S1555
D4	1710000030	DIODE	1S1555
D5	1710000030	DIODE	1S1555
D6	1710000030	DJODE	1S1555
D7	1710000030	DIODE	1S1555
D8	1710000030	DIODE	1S1555
D10	1790000070	DIODE	1SS237
D11*	1710000030	DIODE	1S1555
D12	1710000030	DIODE	1S1555
D13	1710000030	DIODE	1S1555
L1	6140002570	COIL	LR-294 [IC-736]
	6140001990	COIL	LR-228 [IC-738]
L2	6140002580	COIL	LR-295 [IC-736]
	6140002000	COIL	LR-227 [IC-738]
L3	6140001780	COIL	LR-214
L4	6140001790	COIL	LR-215
L5	6140001800	COIL	LR-216
L6	6140001800	COIL	LR-216
L7	6140001820	COIL	LR-218 [IC-736]
	6140002010	COIL	LR-228 [IC-738]
L8	6140002580	COIL	LR-293 [IC-736]
	6140001810	COIL	LR-217 [IC-738]
L9	6110002920	COIL	LA-481
L10	6110002910	COIL	LA-480
L11	6110002900	COIL	LA-479
L12	6110002890	COIL	LA-478
L13	6180000900	COIL	LAL 03NA 101K
L14	6180000900	COIL	LAL 03NA 101K
L15	6180000900	COIL	LAL 03NA 101K
L16	6180000900	COIL	LAL 03NA 101K
L17	6180000900	COIL	LAL 03NA 101K
L18	6180000900	COIL	LAL 03NA 101K
L19	6180000900	COIL	LAL 03NA 101K
L20	6180000900	COIL	LAL 03NA 101K
L21	6180000880	COIL	LAL 03NA 100K
L22	6180000880	COIL	LAL 03NA 100K
L23	6180000880	COIL	LAL 03NA 100K
L24	6180000880	COIL	LAL 03NA 100K
L27	6140002600	COIL	LR-297
L28	6140002560	COIL	LR-293 [IC-736]
	6140001820	COIL	LR-218 [IC-738]
L29*	6110002230	COIL	LA-215
L30*	6110002230	COIL	LA-215
L31*	6110002220	COIL	LA-214
L32*	6180000880	COIL	LAL 03NA 100K
L33*	6180000880	COIL	LAL 03NA 100K
L35	6180000880	COIL	LAL 03NA 100K

\*=IC-736 only

S.=Surface mount



[FILTER UNIT]

REF. NO.	ORDER NO.	DESCRIPTION	
L36	6180000880	COIL	LAL 03NA 100K
L37	6110001560	COIL	LA-236
L38	6110001630	COIL	LA-246
L39	6180000770	COIL	LAL 03NA 1R0M
R1	7010003990	RESISTOR	R20J 22 Ω
R2	7010004320	RESISTOR	R20J 10 kΩ
R3	7010003530	RESISTOR	ELR20J 10 kΩ
R4	7010003620	RESISTOR	ELR20J 47 kΩ
R6	7010004320	RESISTOR	R20J 10 kΩ
R7	7010004450	RESISTOR	R20J 100 kΩ
R11	7540000010	ABSORBER	DSA-301LA
R12	7540000010	ABSORBER	DSA-301LA
R13	7540000100	ABSORBER	SRYH-350L
C2	4010005830	CERAMIC	HM74SJ SL 151J 500V
C3	4010005370	CERAMIC	HM11SJ SL 331J 500V
C5	4010005820	CERAMIC	HM74SJ SL 121J 500V
C7	4010004070	CERAMIC	DD12 SL 221J 500V [IC-736]
	4010005370	CERAMIC	HM11SJ SL 331J 500V [IC-738]
C8	4010005370	CERAMIC	HM11SJ SL 331J 500V
C10	4010005870	CERAMIC	HM95SJ SL 221J 500V
C12	4010005750	CERAMIC	HM60SJ SL 680J 500V
C14	4010005370	CERAMIC	HM11SJ SL 331J 500V
C15	4010005370	CERAMIC	HM11SJ SL 331J 500V
C16	4010004070	CERAMIC	DD12 SL 221J 500V [IC-736]
	4010004060	CERAMIC	DD12 SL 201K 500V [IC-738]
C17	4010005850	CERAMIC	HM95SJ SL 181J 500V
C18	4010004010	CERAMIC	DD09 SL 101K 500V [IC-736]
	4010005750	CERAMIC	HM60SJ SL 680J 500V [IC-738]
C20	4010004100	CERAMIC	DD14 SL 331K 500V
C21	4010004100	CERAMIC	DD14 SL 331K 500V [IC-736]
	4010005360	CERAMIC	HM11SJ SL 301J 500V [IC-738]
C22	4010003950	CERAMIC	DD06 SL 330K 500V [IC-736]
	4010005780	CERAMIC	HM60SJ SL 101J 500V [IC-738]
C23	4010004080	CERAMIC	DD12 SL 271K 500V [IC-736]
	4010005870	CERAMIC	HM95SJ SL 221J 500V [IC-738]
C24	4010004040	CERAMIC	DD10 SL 151K 500V [IC-736]
	4010005880	CERAMIC	HM95SJ SL 271J 500V [IC-738]
C28	4010004030	CERAMIC	DD10 SL 121K 500V [IC-736]
	4010005770	CERAMIC	HM60SJ SL 820J 500V [IC-738]
C30	4010004020	CERAMIC	DD09 SL 111K 500V [IC-736]
	4010005820	CERAMIC	HM74SJ SL 121J 500V [IC-738]
C31	4010004030	CERAMIC	DD10 SL 121K 500V
C32	4010004030	CERAMIC	DD10 SL 121K 500V [IC-736]
	4010005760	CERAMIC	HM60SJ SL 750J 500V [IC-738]
C33	4010003890	CERAMIC	DD06 SL 180K 500V [IC-736]
	4010005660	CERAMIC	HM60SJ SL 220J 500V [IC-738]
C34	4010004020	CERAMIC	DD09 SL 111K 500V [IC-736]
	4010005870	CERAMIC	HM95SJ SL 221J 500V [IC-738]
C35	4010003960	CERAMIC	DD06 SL 390K 500V [IC-736]
	4010005740	CERAMIC	HM60SJ SL 560J 500V [IC-738]
C36	4010004020	CERAMIC	DD09 SL 111K 500V [IC-736]
	4010005780	CERAMIC	HM60SJ SL 101J 500V [IC-738]
C37	4010004010	CERAMIC	DD09 SL 101K 500V [IC-736]
	4010005760	CERAMIC	HM60SJ SL 750J 500V [IC-738]
C38	4010003880	CERAMIC	DD06 SL 150K 500V [IC-736]
	4010005620	CERAMIC	HM60SJ SL 120J 500V [IC-738]
C39	4010005830	CERAMIC	HM74SJ SL 151J 500V
C40	4010003970	CERAMIC	DD07 SL 470K 500V [IC-736]
	4010005720	CERAMIC	HM60SJ SL 390J 500V [IC-738]
C41	4010003990	CERAMIC	DD09 SL 680K 500V [IC-736]
	4010005740	CERAMIC	HM60SJ SL 560J 500V [IC-738]
C42	4040000690	BARRIERLAYR	UAT 08X 473K
C43	4040000690	BARRIERLAYR	UAT 08X 473K
C44	4040000690	BARRIERLAYR	UAT 08X 473K
C45	4040000690	BARRIERLAYR	UAT 08X 473K
C46	4040000690	BARRIERLAYR	UAT 08X 473K
C47	4040000690	BARRIERLAYR	UAT 08X 473K
C48	4010000520	CERAMIC	DD108 B 472K 50V
C49	4010000520	CERAMIC	DD108 B 472K 50V
C50	4010000520	CERAMIC	DD108 B 472K 50V
C51	4010000520	CERAMIC	DD108 B 472K 50V
C52	4010000520	CERAMIC	DD108 B 472K 50V

[FILTER UNIT]

REF. NO.	ORDER NO.	DESCRIPTION	
C53	4010000520	CERAMIC	DD108 B 472K 50V
C54	4810001990	TRIMMER	ECR-HA010A41
C55	4010000360	CERAMIC	DD108 SL 181J 50V
C56	4020000540	CYLINDER	UP050 B 331K
C57	4010000430	CERAMIC	DD109 SL 471J 50V
C58	4010000430	CERAMIC	DD109 SL 471J 50V
C63	4010003980	CERAMIC	DD09 SL 560J 500V [IC-736]
	4010005720	CERAMIC	HM60SJ SL 390J 500V [IC-738]
C65	4010004000	CERAMIC	DD09 SL 820K 500V [IC-736]
	4010005780	CERAMIC	HM60SJ SL 101J 500V [IC-738]
C66	4010005360	CERAMIC	HM11SJ SL 301J 500V
C67	4010005360	CERAMIC	HM11SJ SL 301J 500V
C68	4010005360	CERAMIC	HM11SJ SL 301J 500V
C69	4010005360	CERAMIC	HM11SJ SL 301J 500V
C72	4010005870	CERAMIC	HM95SJ SL 221J 500V
C73	4010005290	CERAMIC	DD12 SL 621K 500V
C74	4010005290	CERAMIC	DD12 SL 621K 500V
C75	4010005290	CERAMIC	DD12 SL 621K 500V
C77*	4010003970	CERAMIC	DD07 SL 470K 500V
C78*	4010003990	CERAMIC	DD09 SL 680K 500V
C80*	4010004680	CERAMIC	DD09 SL 750K 500V
C82*	4010003910	CERAMIC	DD06 SL 220K 500V
C83*	4010003830	CERAMIC	DD06 SL 060D 500V
C85*	4010003880	CERAMIC	DD06 SL 150K 500V
C86*	4010003950	CERAMIC	DD06 SL 330K 500V
C87*	4010000520	CERAMIC	DD108 B 472K 50V
C88*	4010000520	CERAMIC	DD108 B 472K 50V
C90	4010000520	CERAMIC	DD108 B 472K 50V
C91	4010000520	CERAMIC	DD108 B 472K 50V
C93	4010000320	CERAMIC	DD104 SL 820J 50V
C94	4010000260	CERAMIC	DD104 SL 470J 50V
C95	4010000310	CERAMIC	DD104 SL 750J 50V
C96	4010000150	CERAMIC	DD104 SL 150J 50V
C97	4010005290	CERAMIC	DD12 SL 621K 500V
C98	4010005290	CERAMIC	DD12 SL 621K 500V
C99	4010005290	CERAMIC	DD12 SL 621K 500V
C100	4010005290	CERAMIC	DD12 SL 621K 500V
C101	4010000410	CERAMIC	DD107 SL 331J 50V
C102	4010005820	CERAMIC	HM74SJ SL 121J 500V
C103	4010004030	CERAMIC	DD10 SL 121K 500V [IC-736]
	4010005810	CERAMIC	HM74SJ SL 111J 500V [IC-738]
C104*	4010004040	CERAMIC	DD10 SL 151K 500V
C106	4010000220	CERAMIC	DD104 SL 330J 50V
C110	4010000460	CERAMIC	DD104 B 471K 50V
C111	4010000260	CERAMIC	DD104 SL 470J 50V
C112	4010000260	CERAMIC	DD104 SL 470J 50V
C114	4040000260	BARRIERLAYR	UZE 08X 104M
C115	4010003890	CERAMIC	DD06 SL 180K 500V [IC-736]
	4010005780	CERAMIC	HM60SJ SL 101J 500V [IC-738]
C116	4010003960	CERAMIC	DD06 SL 390K 500V [IC-736 only]
C117	4010005870	CERAMIC	HM95SJ SL 221J 500V [IC-736 only]
C118	4010005390	CERAMIC	HM15SJ SL 621J 500V
C119	4010005390	CERAMIC	HM15SJ SL 621J 500V
C120	4010005390	CERAMIC	HM15SJ SL 621J 500V
C121	4010005730	CERAMIC	HM60SJ SL 470J 500V [IC-736 only]
RL1	6330000050	RELAY	FBR211BD012-M
RL2	6330000050	RELAY	FBR211BD012-M
RL3	6330000050	RELAY	FBR211BD012-M
RL4	6330000050	RELAY	FBR211BD012-M
RL5	6330000050	RELAY	FBR211BD012-M
RL6	6330000050	RELAY	FBR211BD012-M
RL7	6330000050	RELAY	FBR211BD012-M
RL8	6330000050	RELAY	FBR211BD012-M
RL9	6330000050	RELAY	FBR211BD012-M
RL10	6330000050	RELAY	FBR211BD012-M
RL11	6330000050	RELAY	FBR211BD012-M
RL12	6330000050	RELAY	FBR211BD012-M
RL13*	6330000720	RELAY	DS1-M-DC12V (AG2013)
RL14*	6330000720	RELAY	DS1-M-DC12V (AG2013)
RL15	6330000470	RELAY	NR-HD (12V) AE5343
RL16	6330000800	RELAY	G5A-237P DC12V

\*=IC-736 only

S.=Surface mount



[FILTER UNIT]

REF. NO.	ORDER NO.	DESCRIPTION	
W2	7120000010	JUMPER	JPW 02A
W7	7120000010	JUMPER	JPW 02A
W25	7120000380	JUMPER	JPW 01 R-01
W26	7120000380	JUMPER	JPW 01 R-01
W27	7120000380	JUMPER	JPW 01 R-01
W28	7120000380	JUMPER	JPW 01 R-01
W29	7120000380	JUMPER	JPW 01 R-01
W30	7120000380	JUMPER	JPW 01 R-01
W32	8910001030	JUMPER	IPS-1041-4
W35*	8910001030	JUMPER	IPS-1041-4
W38	8910001020	JUMPER	IPS-1041-2
W37*	8910001030	JUMPER	IPS-1041-4
J2	8510003250	CONNECTOR	TMP-J01X-A2
J8	8510003250	CONNECTOR	TMP-J01X-A2
J9	8510003250	CONNECTOR	TMP-J01X-A2
EP1	0910039735	PCB	B-3908E

[PA UNIT] (for IC-736)

REF. NO.	ORDER NO.	DESCRIPTION	
Q1	1560000750	FET	2SK819
Q2	1560000730	FET	2SK408
Q3	1560000740	FET	2SK409
Q5	1560000780	FET	MRF174MP
Q7	1520000080	TRANSISTOR	2SB909M R
Q8	1590000340	TRANSISTOR	RN1202
D5	1710000030	DIODE	1S1555
D8	1710000030	DIODE	1S1555
L1	8140001830	COIL	LR-179
L2	8910000870	COIL	BL01RN1-A62-001
L3	8910000870	COIL	BL01RN1-A62-001
L4	8140001540	COIL	LR-189
L5	8140002590	COIL	LR-298
L6	8140000720	COIL	LR-95
L7	8140002030	COIL	LR-230 (SK-10M-15Y 120)
L8	8180001230	COIL	LAL 04NA 8R2K
L9	8180001570	COIL	LAL 04NA 4R7K
L12	8180000880	COIL	LAL 03NA 100K
L14	8910000870	COIL	BL01RN1-A62-001
L15	8910000870	COIL	BL01RN1-A62-001
L16	8140002220	COIL	LR-270
L17	8140002220	COIL	LR-270
R1	7010004310	RESISTOR	R20J 8.2 kΩ
R2	7010004150	RESISTOR	R20J 470 Ω
R3	7010004230	RESISTOR	R20J 2.2 kΩ
R7	7010004190	RESISTOR	R20J 1 kΩ
R8	7310003170	TRIMMER	EVN-2ACA00 B53 (502)
R9	7010004250	RESISTOR	R20J 3.3 kΩ
R10	7010004250	RESISTOR	R20J 3.3 kΩ
R11	7010004760	RESISTOR	R50XJ 270 Ω
R12	7010004760	RESISTOR	R50XJ 270 Ω
R20	7010004230	RESISTOR	R20J 2.2 kΩ
R21	7010004230	RESISTOR	R20J 2.2 kΩ
R22	7070000380	RESISTOR	CRH200 R-02J 10 Ω (100)
R23	7070000380	RESISTOR	CRH200 R-02J 10 Ω (100)
R25	7010004250	RESISTOR	R20J 3.3 kΩ
R26	7100000640	RESISTOR	5 S1 0.012 Ω (J)
R27	7010004250	RESISTOR	R20J 3.3 kΩ
R28	7010004650	RESISTOR	R50XJ 10 Ω
R29	7070000560	RESISTOR	CRH100X R-02J 56 Ω (580)
R30	7010003400	RESISTOR	ELR20J 1 kΩ
R31	7010003490	RESISTOR	ELR20J 5.8 kΩ

[PA UNIT] (for IC-736)

REF. NO.	ORDER NO.	DESCRIPTION	
R32	7510000070	THERMISTOR	ERT-D2FHL 503S
R33	7010004390	RESISTOR	R20J 33 kΩ
R36	7070000270	RESISTOR	CRH100X R-02J 100 Ω (101)
R37	7070000270	RESISTOR	CRH100X R-02J 100 Ω (101)
R38	7070000260	RESISTOR	CRH200 R-02J 22 Ω (220)
R41	7010004250	RESISTOR	R20J 3.3 kΩ
R42	7010004250	RESISTOR	R20J 3.3 kΩ
R43	7010004230	RESISTOR	R20J 2.2 kΩ
R44	7310003170	TRIMMER	EVN-2ACA00 B53 (502)
R48	7010004230	RESISTOR	R20J 2.2 kΩ
R49	7310003240	TRIMMER	EVN-2ACA00 B23 (202)
R50	7010001030	RESISTOR	R25XJ 100 Ω
R51	7010001030	RESISTOR	R25XJ 100 Ω
R52	7010004730	RESISTOR	R50XJ 120 Ω
R53	7010004110	RESISTOR	R20J 220 Ω
R54	7070000400	RESISTOR	CRH300 R-02J 100 Ω (101)
C1	4010000590	CERAMIC	DD110 F 473Z 50V
C3	4040000250	BARRIERLAYR	UAT 08X 473M
C5	4010000590	CERAMIC	DD110 F 473Z 50V
C7	4040000260	BARRIERLAYR	UZE 08X 104M
C8	4040000260	BARRIERLAYR	UZE 08X 104M
C10	4010000590	CERAMIC	DD110 F 473Z 50V
C11	4010000520	CERAMIC	DD108 B 472K 50V
C12	4030001370	S.CERAMIC	GR44 CH 682K
C13	4030001370	S.CERAMIC	GR44 CH 682K
C17	4010004070	CERAMIC	DD12 SL 221K 500V
C24	4510005930	ELECTROLITIC	35 MV 470 AZ
C25	4510005930	ELECTROLITIC	35 MV 470 AZ
C28	4010000590	CERAMIC	DD110 F 473Z 50V
C27	4010000520	CERAMIC	DD108 B 472K 50V
C28	4010000480	CERAMIC	DD104 B 471K 50V
C29	4010000460	CERAMIC	DD104 B 471K 50V
C30	4040000690	BARRIERLAYR	UAT 08X 473K
C31	4010000520	CERAMIC	DD108 B 472K 50V
C32	4010000590	CERAMIC	DD110 F 473Z 50V
C33	4510003860	ELECTROLITIC	50 MV 3R3 SW
C34	4510003790	ELECTROLITIC	18 MV 10 SW
C35	4010000520	CERAMIC	DD108 B 472K 50V
C38	4510005000	ELECTROLITIC	18 MV 220 HC
C38	4010000520	CERAMIC	DD108 B 472K 50V
C39	4010000520	CERAMIC	DD108 B 472K 50V
C41	4510003910	ELECTROLITIC	18 MV 47 HW
C42	4010000520	CERAMIC	DD108 B 472K 50V
C46	4030001420	S.CERAMIC	GR44 Y5V 684Z
C47	4030001420	S.CERAMIC	GR44 Y5V 684Z
C51	4030001420	S.CERAMIC	GR44 Y5V 684Z
C52	4030001420	S.CERAMIC	GR44 Y5V 684Z
C57	4010000510	CERAMIC	DD108 B 222K 50V
C58	4010000510	CERAMIC	DD108 B 222K 50V
C59	4010000520	CERAMIC	DD108 B 472K 50V
C60	4010000590	CERAMIC	DD110 F 473Z 50V
C61	4310000480	MYLAR	50 F2D 104J
C62	4310000480	MYLAR	50 F2D 104J
C63	4010000520	CERAMIC	DD108 B 472K 50V
C64	4010004130	CERAMIC	DD09 B 222K 500V
C65	4010004130	CERAMIC	DD09 B 222K 500V
C66	4510005000	ELECTROLITIC	16 MV 220 HC
C67	4010000520	CERAMIC	DD108 B 472K 50V
C68	4510003790	ELECTROLITIC	18 MV 10 SW
C69	4580000040	CERAMIC	D87X5T 1H 884M51
C70	4010003870	CERAMIC	DD06 SL 120K 500V
W41	8900004870	CABLE	OPC-472
W41	8900005420	CABLE	OPC-532
J2	6510003390	CONNECTOR	B03B-EH-S
J9	6510003080	CONNECTOR	RT01T-1.0B
J15	6510003080	CONNECTOR	RT01T-1.0B
J18	6510003080	CONNECTOR	RT01T-1.0B
J17	6510003080	CONNECTOR	RT01T-1.0B
J18	6510003080	CONNECTOR	RT01T-1.0B
J19	6510003080	CONNECTOR	RT01T-1.0B

S.=Surface mount

[PA UNIT] (for IC-736)

REF. NO.	ORDER NO.	DESCRIPTION	
J20	6510003400	CONNECTOR	B04B-EH-S
S1	6910000060	THERMAL	OHD-3 90M
EP1	6910000810	BEAD	FSOH050RN01
EP2	6910000810	BEAD	FSOH050RN01
EP13	0910039744	PCB	B-3907D
EP21	6910000630	BEAD	FSOH070RN
EP26	6910000810	BEAD	FSOH050RN01
EP27	6910000810	BEAD	FSOH050RN01

[PA UNIT] (for IC-738)

REF. NO.	ORDER NO.	DESCRIPTION	
F1	5220000110	HOLDER	TFH-S30
F2	5210000130	FUSE	FGB 4A
Q1	1530000790	TRANSISTOR	2SC1971
Q2	1530000190	TRANSISTOR	2SC3133
Q3	1530000190	TRANSISTOR	2SC3133
Q4	1530000200	TRANSISTOR	2SC2904
Q5	1530000200	TRANSISTOR	2SC2904
Q6	1590000340	TRANSISTOR	RN1202
Q7	1520000080	TRANSISTOR	2SB909M R
Q8	1540000200	TRANSISTOR	2SD1408 Y
D1	1790000710	VARISTOR	MA29B
D2	1790000710	VARISTOR	MA29B
D3	1710000050	DIODE	1SS53
D4	1710000010	DIODE	15CD11
D5	1710000030	DIODE	1S1555
D6	1710000030	DIODE	1S1555
L1	6140002350	COIL	LR-274
L2	6910000670	COIL	BL01RN1-A62-001
L3	6910000670	COIL	BL01RN1-A62-001
L4	6140001180	COIL	LR-143
L5	6910000670	COIL	BL01RN1-A62-001
L6	6140001190	COIL	LR-144
L7	6140000610	COIL	LR-83
L8	6140002030	COIL	LR-230 (SK-10M-15Y 120)
L10	6180001230	COIL	LAL 04NA 8R2K
L11	6910000670	COIL	BL01RN1-A62-001
L12	6180000880	COIL	LAL 03NA 100K
L13	6180001570	COIL	LAL 04NA 4R7K
R1	7010004150	RESISTOR	R20J 470 Ω
R2	7010003960	RESISTOR	R20J 12 Ω
R3	7010004150	RESISTOR	R20J 470 Ω
R4	7010004090	RESISTOR	R20J 150 Ω
R5	7010004130	RESISTOR	R20J 330 Ω
R6	7010004110	RESISTOR	R20J 220 Ω
R7	7010004830	RESISTOR	R50XJ 4.7 Ω
R8	7010004110	RESISTOR	R20J 220 Ω
R10	7010001110	RESISTOR	R25XJ 470 Ω
R11	7310003750	TRIMMER	EVN-2ACA00 B52 (501)
R12	7010004720	RESISTOR	R50XJ 100 Ω
R13	7010004030	RESISTOR	R20J 47 Ω
R14	7010004030	RESISTOR	R20J 47 Ω
R15	7070000570	RESISTOR	CRH100X R-02J 68 Ω (680)
R16	7010004700	RESISTOR	R50XJ 68 Ω
R17	7010004650	RESISTOR	R50XJ 10 Ω
R18	7310003240	TRIMMER	EVN-2ACA00 B23 (202)
R19	7010003440	RESISTOR	ELR20J 2.2 kΩ
R20	7070000320	RESISTOR	CRH100X R-02J 3.3 Ω (3R3)

[PA UNIT] (for IC-738)

REF. NO.	ORDER NO.	DESCRIPTION	
R21	7070000320	RESISTOR	CRH100X R-02J 3.3 Ω (3R3)
R22	7070000320	RESISTOR	CRH100X R-02J 3.3 Ω (3R3)
R23	7070000320	RESISTOR	CRH100X R-02J 3.3 Ω (3R3)
R24	7070000320	RESISTOR	CRH100X R-02J 3.3 Ω (3R3)
R25	7070000320	RESISTOR	CRH100X R-02J 3.3 Ω (3R3)
R26	7010004650	RESISTOR	R50XJ 10 Ω
R27	7010004650	RESISTOR	R50XJ 10 Ω
R28	7100000640	RESISTOR	5 SI 0.012 Ω (J)
R29	7010003400	RESISTOR	ELR20J 1 kΩ
R31	7010004190	RESISTOR	R20J 1 kΩ
R33	7010004650	RESISTOR	R50XJ 10 Ω
R34	7010004390	RESISTOR	R20J 33 kΩ
R35	7010004190	RESISTOR	R20J 1 kΩ
R36	7070000560	RESISTOR	CRH100X R-02J 56 Ω (560)
R37	7010004730	RESISTOR	R50XJ 120 Ω
R38	7070000250	RESISTOR	CRH200 R-02J 4.7 Ω (4R7)
R39	7010003490	RESISTOR	ELR20J 5.6 kΩ
R40	7510000070	THERMISTOR	ERT-D2FHL 503S
R41	7070000280	RESISTOR	CRH100X R-02J 2.2 Ω (2R2)
R42	7070000280	RESISTOR	CRH100X R-02J 2.2 Ω (2R2)
C1	4010000520	CERAMIC	DD108 B 472K 50V
C2	4040000690	BARRIERLAYR	UAT 08X 473K
C3	4040000690	BARRIERLAYR	UAT 08X 473K
C4	4010000510	CERAMIC	DD108 B 222K 50V
C5	4040000690	BARRIERLAYR	UAT 08X 473K
C7	4040000690	BARRIERLAYR	UAT 08X 473K
C8	4510003910	ELECTROLITIC	16 MV 47 HW
C9	4040000150	BARRIERLAYR	UAT 05X 472K
C10	4010000380	CERAMIC	DD107 SL 221J 50V
C11	4310000360	MYLAR	50 F2D 103J
C12	4310000360	MYLAR	50 F2D 103J
C13	4010000500	CERAMIC	DD104 B 102K 50V
C14	4010000520	CERAMIC	DD108 B 472K 50V
C15	4040000690	BARRIERLAYR	UAT 08X 473K
C16	4510003910	ELECTROLITIC	16 MV 47 HW
C17	4040000150	BARRIERLAYR	UAT 05X 472K
C18	4040000150	BARRIERLAYR	UAT 05X 472K
C19	4040000690	BARRIERLAYR	UAT 08X 473K
C20	4040000690	BARRIERLAYR	UAT 08X 473K
C21	4030001370	S.CERAMIC	GR44 CH 682K
C22	4030001370	S.CERAMIC	GR44 CH 682K
C23	4030001370	S.CERAMIC	GR44 CH 682K
C24	4030001370	S.CERAMIC	GR44 CH 682K
C25	4030003310	S.CERAMIC	GR111 CH 102K 50PB
C26	4010000640	CERAMIC	HM13SJ SL 471J 500V
C28	4010005360	CERAMIC	HM11SJ SL 301J 500V
C29	4010005360	CERAMIC	HM11SJ SL 301J 500V
C30	4040000260	BARRIERLAYR	UZE 08X 104M
C31	4010000380	CERAMIC	DD107 SL 221J 50V
C32	4010000520	CERAMIC	DD108 B 472K 50V
C33	4010000520	CERAMIC	DD108 B 472K 50V
C34	4040000150	BARRIERLAYR	UAT 05X 472K
C35	4040000690	BARRIERLAYR	UAT 08X 473K
C36	4510004600	ELECTROLITIC	16 MV 1000 HC
C37	4040000260	BARRIERLAYR	UZE 08X 104M
C38	4010000380	CERAMIC	DD107 SL 221J 50V
C39	4510004600	ELECTROLITIC	16 MV 1000 HC
C40	4510004600	ELECTROLITIC	16 MV 1000 HC
C43	4010000520	CERAMIC	DD108 B 472K 50V
C44	4510003910	ELECTROLITIC	16 MV 47 HW
C45	4010000520	CERAMIC	DD108 B 472K 50V
C46	4010000520	CERAMIC	DD108 B 472K 50V
C47	4510005000	ELECTROLITIC	16 MV 220 HC
C48	4010000520	CERAMIC	DD108 B 472K 50V
C49	4510003790	ELECTROLITIC	16 MV 10 SW
C50	4510005000	ELECTROLITIC	16 MV 220 HC
C51	4040000150	BARRIERLAYR	UAT 05X 472K
C52	4510003790	ELECTROLITIC	16 MV 10 SW
C55	4040000690	BARRIERLAYR	UAT 08X 473K
C56	4010000520	CERAMIC	DD108 B 472K 50V
C57	4320000820	DIP MIKA	DM19C561J5-N
C58	4320000790	DIP MIKA	DM20C102J5-N
C59	4510004590	ELECTROLITIC	16 MV 470 HC
C60	4040000690	BARRIERLAYR	UAT 08X 473K

S.=Surface mount

[PA UNIT] (for IC-738)

REF. NO.	ORDER NO.	DESCRIPTION	
C81	4010000520	CERAMIC	DD108 B 472K 50V
J4	8510003390	CONNECTOR	B03B-EH-S
J5	8510003400	CONNECTOR	B04B-EH-S
J6	8510003080	CONNECTOR	RT01T-1.0B
J7	8510003080	CONNECTOR	RT01T-1.0B
J8	8510003080	CONNECTOR	RT01T-1.0B
J9	8510003080	CONNECTOR	RT01T-1.0B
S1	8910000060	THERMAL	OHD-3 90M
EP1	0910042841	PCB	B-4281A
EP2	8910000610	BEAD	FSOH050RN01
EP3	8910000610	BEAD	FSOH050RN01
EP4	8910000610	BEAD	FSOH050RN01
EP5	8910000610	BEAD	FSOH050RN01
EP6	8910000610	BEAD	FSOH050RN01
EP7	8910000610	BEAD	FSOH050RN01
EP8	8910000630	BEAD	FSOH070RN

[TUNER UNIT]

REF. NO.	ORDER NO.	DESCRIPTION	
MF1	2710000460	MOTOR	MP28GA
MF2	2710000460	MOTOR	MP28GA
IC1	1120000970	IC	M54562P
IC2	1120000970	IC	M54562P
L1	8110003010	COIL	LA-488
L2	8110003020	COIL	LA-489
L3	8110003020	COIL	LA-489
L4	8110003030	COIL	LA-490
L5	8110003020	COIL	LA-489
L6	8110003030	COIL	LA-490
L7	8140002630	COIL	LR-304
L8	8140002690	COIL	LR-308
L9	8140002690	COIL	LR-308
L10	8140002690	COIL	LR-308
L11	8140002690	COIL	LR-308
L12	8140002630	COIL	LR-304
L13	8910000670	COIL	BL01RN1-A62-001
R1	7410000170	ARRAY	RMX- 8 102K
R2	7410000170	ARRAY	RMX- 8 102K
C1	4620000110	VARIABLE	UV35 150P
C2	4010007530	CERAMIC	DD06 SL 820K 500V
C3	4010007540	CERAMIC	DD07 SL 151K 500V
C4	4010007520	CERAMIC	DD06 SL 101K 500V
C5	4620000110	VARIABLE	UV35 150P
C6	4010007520	CERAMIC	DD06 SL 101K 500V
C7	4010007540	CERAMIC	DD07 SL 151K 500V
C8	4010007520	CERAMIC	DD06 SL 101K 500V
C9	4040000150	BARRIERLAYR	UAT 05X 472K
C10	4040000150	BARRIERLAYR	UAT 05X 472K
C11	4040000150	BARRIERLAYR	UAT 05X 472K
C12	4040000150	BARRIERLAYR	UAT 05X 472K
C13	4040000150	BARRIERLAYR	UAT 05X 472K
C14	4040000150	BARRIERLAYR	UAT 05X 472K
C16	4040000150	BARRIERLAYR	UAT 05X 472K
C17	4040000150	BARRIERLAYR	UAT 05X 472K
C18	4040000150	BARRIERLAYR	UAT 05X 472K
C19	4040000150	BARRIERLAYR	UAT 05X 472K

[TUNER UNIT]

REF. NO.	ORDER NO.	DESCRIPTION	
C20	4040000150	BARRIERLAYR	UAT 05X 472K
C21	4040000150	BARRIERLAYR	UAT 05X 472K
C24	4010007520	CERAMIC	DD06 SL 101K 500V
C25	4530000250	ARRAY	B8XC0112-32N
C26	4530000250	ARRAY	B8XC0112-32N
C29	4010007520	CERAMIC	DD06 SL 101K 500V
C30	4010000500	CERAMIC	DD104 B 102K 50V
RL1	6330001110	RELAY	NY-12W-K
RL2	6330001110	RELAY	NY-12W-K
RL3	6330001110	RELAY	NY-12W-K
RL4	6330001110	RELAY	NY-12W-K
RL5	6330001110	RELAY	NY-12W-K
RL8	6330001110	RELAY	NY-12W-K
RL8	6330001110	RELAY	NY-12W-K
RL9	6330001110	RELAY	NY-12W-K
RL10	6330001110	RELAY	NY-12W-K
RL11	6330001110	RELAY	NY-12W-K
RL12	6330001110	RELAY	NY-12W-K
RL13	6330001110	RELAY	NY-12W-K
W22	8910001030	JUMPER	IPS-1041-4
W23	8910001030	JUMPER	IPS-1041-4
W24	8910001020	JUMPER	IPS-1041-2
W25	8910001020	JUMPER	IPS-1041-2
J5	8510003100	CONNECTOR	RT01T-1.3B
J6	8510003100	CONNECTOR	RT01T-1.3B
EP1	0910040216	PCB	B-3931F

[CTRL UNIT]

REF. NO.	ORDER NO.	DESCRIPTION	
IC1	1110000960	S.IC	NJM4558M (T1)
IC2	1110001850	IC	MC10118 L
IC3	1110001860	IC	MC10125 L
IC4	1120002251	S.IC	TC74ACT32F (TP1)
IC5	1120002241	S.IC	TC74AC112F (TP1)
IC6	1110000960	S.IC	NJM4558M (T1)
IC7	1180001070	S.IC	TA7805F (TE16L)
IC8	1180001140	S.IC	S-8437AF-ZA-T1
IC9	1180000110	S.IC	TD62164AF (TP1)
IC10	1180000110	S.IC	TD62164AF (TP1)
IC11	1140003610	S.IC	X24C04S8-2.7
IC12	1140004120	S.IC	M38022M2-138FP
IC13	1110001550	S.IC	S-8054ALB-LM-T1
IC14	1130003920	S.IC	TC4S89F (TE85R)
IC16	1130003920	S.IC	TC4S89F (TE85R)
IC17	1180000040	IC	TA78L009AP
Q1	1580000040	FET	2SK30ATM-Y
Q2	1520000530	S.TRANSISTOR	2SB1119S-TD
Q3	1590001220	S.TRANSISTOR	RN1302 (TE85R)
Q8	1530002690	S.TRANSISTOR	2SC4116-GR (TE85R)
Q8	1530002690	S.TRANSISTOR	2SC4116-GR (TE85R)
Q10	1510000780	S.TRANSISTOR	2SA1586-Y (TE85R)
Q11	1590001220	S.TRANSISTOR	RN1302 (TE85R)
Q12	1510000780	S.TRANSISTOR	2SA1586-Y (TE85R)
Q15	1530002690	S.TRANSISTOR	2SC4116-GR (TE85R)
D1	1790000070	DIODE	1SS237
D2	1790000070	DIODE	1SS237
D3	1710000580	DIODE	1SS265
D4	1710000580	DIODE	1SS265
D5	1710000580	DIODE	1SS265

S.=Surface mount



[CTRL UNIT]

REF. NO.	ORDER NO.	DESCRIPTION	
D6	1710000580	DIODE	1SS285
D7	1750000220	S.DIODE	DA113W T107
D8	1750000220	S.DIODE	DA113W T107
D9	1790000240	DIODE	1SS99
D10	1790000240	DIODE	1SS99
D11	1790000070	DIODE	1SS237
D12	1790000070	DIODE	1SS237
D13	1750000220	S.DIODE	DA113W T107
D14	1750000220	S.DIODE	DA113W T107
D20	1710000550	DIODE	1S954
D21	1790001130	S.DIODE	D2FS4-4063
D24	1750000220	S.DIODE	DA113W T107
D25	1730000410	S.ZENER	RD5.1M-T2B2
D26	1730000730	S.ZENER	RD6.2M-T2B2
D29	1750000200	S.DIODE	1SS319 (TE85R)
D30	1750000200	S.DIODE	1SS319 (TE85R)
D31	1750000200	S.DIODE	1SS319 (TE85R)
X1	8050009080	XTAL	AT-49 8.144MHz
L1	8180000450	COIL	RFC L8 222K
L2	8140000100	COIL	LR-22A
L3	8200003260	S.COIL	NL 322522T-101J
L4	8200003260	S.COIL	NL 322522T-101J
L5	8200001830	S.COIL	NL 322522T-100J
L6	8180000960	COIL	LAL 03NA 102K
L7	8140002660	COIL	LR-299
L8	8180000960	COIL	LAL 03NA 102K
L9	8200003260	S.COIL	NL 322522T-101J
L10	8140002650	COIL	LR-298
L11	8200003260	S.COIL	NL 322522T-101J
L12	8200003260	S.COIL	NL 322522T-101J
L13	8200003260	S.COIL	NL 322522T-101J
L16	8180000990	COIL	LAL 04NA 101K
L18	8180000900	COIL	LAL 03NA 101K
L19	8180000900	COIL	LAL 03NA 101K
L20	8180000900	COIL	LAL 03NA 101K
L21	8180000900	COIL	LAL 03NA 101K
L23	8180000900	COIL	LAL 03NA 101K
L24	8180000900	COIL	LAL 03NA 101K
L25	8180000900	COIL	LAL 03NA 101K
L26	8180000900	COIL	LAL 03NA 101K
L27	8910000670	COIL	BL01RN1-A82-001
L28	8200003260	S.COIL	NL 322522T-101J
L29	8200003260	S.COIL	NL 322522T-101J
L30	8200003260	S.COIL	NL 322522T-101J
L31	8200003260	S.COIL	NL 322522T-101J
L32	8200003260	S.COIL	NL 322522T-101J
L33	8200003260	S.COIL	NL 322522T-101J
L34	8200003260	S.COIL	NL 322522T-101J
L35	8200003260	S.COIL	NL 322522T-101J
L36	8200003260	S.COIL	NL 322522T-101J
L37	8200003260	S.COIL	NL 322522T-101J
L38	8200003260	S.COIL	NL 322522T-101J
L39	8200003260	S.COIL	NL 322522T-101J
L41	8200003260	S.COIL	NL 322522T-101J
L42	8180000450	COIL	RFC L8 222K
L44	8190000220	COIL	S0971138-101K
L45	8180000990	COIL	LAL 04NA 101K
L46	8180000990	COIL	LAL 04NA 101K
R1	7030001130	S.RESISTOR	MCR50JZHJ 100 Ω (101)
R2	7030003560	S.RESISTOR	ERJ3GEYJ 103 V (10 kΩ)
R3	7030003640	S.RESISTOR	ERJ3GEYJ 473 V (47 kΩ)
R4	7030003720	S.RESISTOR	ERJ3GEYJ 224 V (220 kΩ)
R5	7030003670	S.RESISTOR	ERJ3GEYJ 823 V (82 kΩ)
R7	7030003720	S.RESISTOR	ERJ3GEYJ 224 V (220 kΩ)
R8	7030003670	S.RESISTOR	ERJ3GEYJ 823 V (82 kΩ)
R9	7030003720	S.RESISTOR	ERJ3GEYJ 224 V (220 kΩ)
R10	7030003560	S.RESISTOR	ERJ3GEYJ 103 V (10 kΩ)
R11	7030003640	S.RESISTOR	ERJ3GEYJ 473 V (47 kΩ)
R12	7030003720	S.RESISTOR	ERJ3GEYJ 224 V (220 kΩ)
R13	7030003720	S.RESISTOR	ERJ3GEYJ 224 V (220 kΩ)

[CTRL UNIT]

REF. NO.	ORDER NO.	DESCRIPTION	
R14	7030003720	S.RESISTOR	ERJ3GEYJ 224 V (220 kΩ)
R16	7030003480	S.RESISTOR	ERJ3GEYJ 222 V (2.2 kΩ)
R17	7030000080	S.RESISTOR	MCR10EZHZ 3.3 Ω (3R3)
R19	7030003330	S.RESISTOR	ERJ3GEYJ 121 V (120 Ω)
R20	7030003280	S.RESISTOR	ERJ3GEYJ 470 V (47 Ω)
R22	7030003470	S.RESISTOR	ERJ3GEYJ 182 V (1.8 kΩ)
R23	7030001070	S.RESISTOR	MCR50JZHJ 33 Ω (330)
R24	7030000080	S.RESISTOR	MCR10EZHZ 3.3 Ω (3R3)
R25	7030003330	S.RESISTOR	ERJ3GEYJ 121 V (120 Ω)
R26	7030003280	S.RESISTOR	ERJ3GEYJ 470 V (47 Ω)
R27	7030003480	S.RESISTOR	ERJ3GEYJ 222 V (2.2 kΩ)
R28	7030003360	S.RESISTOR	ERJ3GEYJ 221 V (220 Ω)
R30	7030001100	S.RESISTOR	MCR50JZHJ 58 Ω (560)
R31	7030003580	S.RESISTOR	ERJ3GEYJ 103 V (10 kΩ)
R32	7030003800	S.RESISTOR	ERJ3GEYJ 105 V (1 M Ω)
R33	7030003560	S.RESISTOR	ERJ3GEYJ 103 V (10 kΩ)
R34	7030003560	S.RESISTOR	ERJ3GEYJ 103 V (10 kΩ)
R35	7030003520	S.RESISTOR	ERJ3GEYJ 472 V (4.7 kΩ)
R36	7030003440	S.RESISTOR	ERJ3GEYJ 102 V (1 kΩ)
R37	7030003560	S.RESISTOR	ERJ3GEYJ 103 V (10 kΩ)
R38	7030003670	S.RESISTOR	ERJ3GEYJ 823 V (82 kΩ)
R39	7030003480	S.RESISTOR	ERJ3GEYJ 222 V (2.2 kΩ)
R40	7030003680	S.RESISTOR	ERJ3GEYJ 104 V (100 kΩ)
R41	7030003780	S.RESISTOR	ERJ3GEYJ 884 V (880 kΩ)
R42	7030003680	S.RESISTOR	ERJ3GEYJ 104 V (100 kΩ)
R43	7030003580	S.RESISTOR	ERJ3GEYJ 153 V (15 kΩ)
R44	7030003680	S.RESISTOR	ERJ3GEYJ 104 V (100 kΩ)
R45	7030003580	S.RESISTOR	ERJ3GEYJ 103 V (10 kΩ)
R46	7030003680	S.RESISTOR	ERJ3GEYJ 104 V (100 kΩ)
R47	7030003780	S.RESISTOR	ERJ3GEYJ 884 V (880 kΩ)
R48	7030003680	S.RESISTOR	ERJ3GEYJ 104 V (100 kΩ)
R50	7030003580	S.RESISTOR	ERJ3GEYJ 103 V (10 kΩ)
R51	7030003440	S.RESISTOR	ERJ3GEYJ 102 V (1 kΩ)
R57	7070000510	RESISTOR	CRH100X R-02J 18 Ω (180)
R62	7030003580	S.RESISTOR	ERJ3GEYJ 103 V (10 kΩ)
R63	7030003580	S.RESISTOR	ERJ3GEYJ 103 V (10 kΩ)
R64	7030003680	S.RESISTOR	ERJ3GEYJ 104 V (100 kΩ)
R65	7030003680	S.RESISTOR	ERJ3GEYJ 104 V (100 kΩ)
R66	7030003680	S.RESISTOR	ERJ3GEYJ 104 V (100 kΩ)
R67	7030003680	S.RESISTOR	ERJ3GEYJ 104 V (100 kΩ)
R68	7030003440	S.RESISTOR	ERJ3GEYJ 102 V (1 kΩ)
R69	7030003440	S.RESISTOR	ERJ3GEYJ 102 V (1 kΩ)
R70	7030003440	S.RESISTOR	ERJ3GEYJ 102 V (1 kΩ)
R71	7030003440	S.RESISTOR	ERJ3GEYJ 102 V (1 kΩ)
R72	7030003440	S.RESISTOR	ERJ3GEYJ 102 V (1 kΩ)
R73	7030003440	S.RESISTOR	ERJ3GEYJ 102 V (1 kΩ)
R74	7030003440	S.RESISTOR	ERJ3GEYJ 102 V (1 kΩ)
R75	7030003440	S.RESISTOR	ERJ3GEYJ 102 V (1 kΩ)
R76	7030003440	S.RESISTOR	ERJ3GEYJ 102 V (1 kΩ)
R77	7030003440	S.RESISTOR	ERJ3GEYJ 102 V (1 kΩ)
R78	7030003440	S.RESISTOR	ERJ3GEYJ 102 V (1 kΩ)
R79	7030003440	S.RESISTOR	ERJ3GEYJ 102 V (1 kΩ)
R81	7030003680	S.RESISTOR	ERJ3GEYJ 104 V (100 kΩ)
R82	7030003720	S.RESISTOR	ERJ3GEYJ 224 V (220 kΩ)
R83	7030003720	S.RESISTOR	ERJ3GEYJ 224 V (220 kΩ)
R84	7030003760	S.RESISTOR	ERJ3GEYJ 474 V (470 kΩ)
R85	7030003440	S.RESISTOR	ERJ3GEYJ 102 V (1 kΩ)
R86	7030003560	S.RESISTOR	ERJ3GEYJ 103 V (10 kΩ)
R87	7030003410	S.RESISTOR	ERJ3GEYJ 581 V (580 Ω)
R88	7030003640	S.RESISTOR	ERJ3GEYJ 473 V (47 kΩ)
R89	7030003410	S.RESISTOR	ERJ3GEYJ 581 V (580 Ω)
R90	7030003560	S.RESISTOR	ERJ3GEYJ 103 V (10 kΩ)
R92	7030003640	S.RESISTOR	ERJ3GEYJ 473 V (47 kΩ)
R93	7030003680	S.RESISTOR	ERJ3GEYJ 104 V (100 kΩ)
R94	7030003440	S.RESISTOR	ERJ3GEYJ 102 V (1 kΩ)
R95	7030003650	S.RESISTOR	ERJ3GEYJ 583 V (58 kΩ)
R96	7030003440	S.RESISTOR	ERJ3GEYJ 102 V (1 kΩ)
R97	7030003440	S.RESISTOR	ERJ3GEYJ 102 V (1 kΩ)
R100	7030003440	S.RESISTOR	ERJ3GEYJ 102 V (1 kΩ)
R102	7030003560	S.RESISTOR	ERJ3GEYJ 103 V (10 kΩ)
R103	7030003560	S.RESISTOR	ERJ3GEYJ 103 V (10 kΩ)
R104	7030003640	S.RESISTOR	ERJ3GEYJ 473 V (47 kΩ)
R105	7030003680	S.RESISTOR	ERJ3GEYJ 104 V (100 kΩ)
R106	7030003680	S.RESISTOR	ERJ3GEYJ 104 V (100 kΩ)
R107	7030003640	S.RESISTOR	ERJ3GEYJ 473 V (47 kΩ)
R108	7030003500	S.RESISTOR	ERJ3GEYJ 332 V (3.3 kΩ)

S.=Surface mount



## [CTRL UNIT]

REF. NO.	ORDER NO.	DESCRIPTION	
R109	7030003580	S.RESISTOR	ERJ3GEYJ 153 V (15 kΩ)
R110	7030003580	S.RESISTOR	ERJ3GEYJ 153 V (15 kΩ)
R112	7030003410	S.RESISTOR	ERJ3GEYJ 581 V (580 Ω)
R113	7030003680	S.RESISTOR	ERJ3GEYJ 104 V (100 kΩ)
R114	7030003310	S.RESISTOR	ERJ3GEYJ 820 V (82 Ω)
R115	7030003310	S.RESISTOR	ERJ3GEYJ 820 V (82 Ω)
C1	4030006880	S.CERAMIC	C1608 SL 1H 300J-T-A
C2	4030006880	S.CERAMIC	C1608 JB 1H 102K-T-A
C3	4010005540	CERAMIC	HM60SJ SL 030C 500V
C4	4030006880	S.CERAMIC	C1608 JB 1H 102K-T-A
C5	4030008920	S.CERAMIC	C1608 JB 1C 473K-T-A
C8	4510003790	ELECTROLITIC	16 MV 10 SW
C8	4030008920	S.CERAMIC	C1608 JB 1C 473K-T-A
C9	4510003790	ELECTROLITIC	16 MV 10 SW
C11	4010005530	CERAMIC	HM60SJ SL 020C 500V
C12	4030006840	S.CERAMIC	C1608 SL 1H 180J-T-A
C13	4030006840	S.CERAMIC	C1608 SL 1H 180J-T-A
C14	4030006750	S.CERAMIC	C1608 SL 1H 101J-T-A
C15	4030008920	S.CERAMIC	C1608 JB 1C 473K-T-A
C16	4510003790	ELECTROLITIC	16 MV 10 SW
C18	4030006800	S.CERAMIC	C1608 SL 1H 221J-T-A
C19	4030006750	S.CERAMIC	C1608 SL 1H 101J-T-A
C20	4030006880	S.CERAMIC	C1608 JB 1H 472K-T-A
C21	4030006800	S.CERAMIC	C1608 SL 1H 221J-T-A
C22	4030006880	S.CERAMIC	C1608 JB 1H 472K-T-A
C24	4510003790	ELECTROLITIC	16 MV 10 SW
C25	4030008920	S.CERAMIC	C1608 JB 1C 473K-T-A
C26	4030008920	S.CERAMIC	C1608 JB 1C 473K-T-A
C27	4030006800	S.CERAMIC	C1608 SL 1H 221J-T-A
C28	4030006850	S.CERAMIC	C1608 JB 1H 471K-T-A
C29	4030008920	S.CERAMIC	C1608 JB 1C 473K-T-A
C30	4010005540	CERAMIC	HM60SJ SL 030C 500V
C31	4030006750	S.CERAMIC	C1608 SL 1H 101J-T-A
C32	4030006750	S.CERAMIC	C1608 SL 1H 101J-T-A
C33	4030006880	S.CERAMIC	C1608 JB 1H 472K-T-A
C34	4030006880	S.CERAMIC	C1608 JB 1H 472K-T-A
C35	4030006880	S.CERAMIC	C1608 JB 1H 102K-T-A
C36	4030006880	S.CERAMIC	C1608 JB 1H 472K-T-A
C37	4030008920	S.CERAMIC	C1608 JB 1C 473K-T-A
C38	4030006800	S.CERAMIC	C1608 SL 1H 221J-T-A
C39	4030006850	S.CERAMIC	C1608 JB 1H 471K-T-A
C40	4030008920	S.CERAMIC	C1608 JB 1C 473K-T-A
C41	4510003790	ELECTROLITIC	16 MV 10 SW
C43	4030008920	S.CERAMIC	C1608 JB 1C 473K-T-A
C44	4030008920	S.CERAMIC	C1608 JB 1C 473K-T-A
C45	4030008920	S.CERAMIC	C1608 JB 1C 473K-T-A
C51	4510004590	ELECTROLITIC	16 MV 470 HC
C52	4030008630	S.CERAMIC	C1608 JF 1C 104Z-T-A
C53	4030008630	S.CERAMIC	C1608 JF 1C 104Z-T-A
C54	4510003790	ELECTROLITIC	16 MV 10 SW
C55	4510004590	ELECTROLITIC	16 MV 470 HC
C56	4510005000	ELECTROLITIC	16 MV 220 HC
C57	4510003910	ELECTROLITIC	16 MV 47 HW
C73	4030008630	S.CERAMIC	C1608 JF 1C 104Z-T-A
C74	4030008630	S.CERAMIC	C1608 JF 1C 104Z-T-A
C75	4030009990	S.CERAMIC	C1608 CH 1H 200J-T-A
C76	4030009990	S.CERAMIC	C1608 CH 1H 200J-T-A
C77	4030008920	S.CERAMIC	C1608 JB 1C 473K-T-A
C78	4030008920	S.CERAMIC	C1608 JB 1C 473K-T-A
C79	4030008920	S.CERAMIC	C1608 JB 1C 473K-T-A
C80	4030008920	S.CERAMIC	C1608 JB 1C 473K-T-A
C81	4030008920	S.CERAMIC	C1608 JB 1C 473K-T-A
C82	4030008920	S.CERAMIC	C1608 JB 1C 473K-T-A
C83	4030008920	S.CERAMIC	C1608 JB 1C 473K-T-A
C84	4030008920	S.CERAMIC	C1608 JB 1C 473K-T-A
C85	4030008920	S.CERAMIC	C1608 JB 1C 473K-T-A
C86	4030008920	S.CERAMIC	C1608 JB 1C 473K-T-A
C87	4030008920	S.CERAMIC	C1608 JB 1C 473K-T-A
C88	4030008920	S.CERAMIC	C1608 JB 1C 473K-T-A
C90	4030006880	S.CERAMIC	C1608 JB 1H 472K-T-A
C91	4030006880	S.CERAMIC	C1608 JB 1H 472K-T-A
C92	4030006880	S.CERAMIC	C1608 JB 1H 102K-T-A
C93	4550002860	S.TANTALUM	TESVA 1V 224K1-8L

## [CTRL UNIT]

REF. NO.	ORDER NO.	DESCRIPTION	
C94	4030006880	S.CERAMIC	C1608 JB 1H 472K-T-A
C95	4030008920	S.CERAMIC	C1608 JB 1C 473K-T-A
C96	4030008920	S.CERAMIC	C1608 JB 1C 473K-T-A
C97	4030008920	S.CERAMIC	C1608 JB 1C 473K-T-A
C98	4030006880	S.CERAMIC	C1608 JB 1H 472K-T-A
C101	4030008920	S.CERAMIC	C1608 JB 1C 473K-T-A
C102	4030008920	S.CERAMIC	C1608 JB 1C 473K-T-A
C103	4030008920	S.CERAMIC	C1608 JB 1C 473K-T-A
C108	4030006900	S.CERAMIC	C1608 JB 1E 103K-T-A
C109	4030006900	S.CERAMIC	C1608 JB 1E 103K-T-A
C110	4030006870	S.CERAMIC	C1608 SL 1H 270J-T-A
C111	4030006720	S.CERAMIC	C1608 SL 1H 580J-T-A
C112	4030006720	S.CERAMIC	C1608 SL 1H 580J-T-A
C113	4030008920	S.CERAMIC	C1608 JB 1C 473K-T-A
C114	4030008920	S.CERAMIC	C1608 JB 1C 473K-T-A
C115	4510003790	ELECTROLITIC	16 MV 10 SW
RL1	6330001090	RELAY	FXE-12
RL2	6330001090	RELAY	FXE-12
DS1	5040001720	LED	TLG221
W1	7120000010	JUMPER	JPW 02A
W2	7120000010	JUMPER	JPW 02A
W3	7120000010	JUMPER	JPW 02A
J2	6510007020	CONNECTOR	TMP-J01X-V6
J4	6510007020	CONNECTOR	TMP-J01X-V6
J5	6510003530	CONNECTOR	S05B-EH-S
J6	6510003530	CONNECTOR	S05B-EH-S
J7	6510003530	CONNECTOR	S05B-EH-S
J8	6510003420	CONNECTOR	B06B-EH-S
J9	6510003460	CONNECTOR	B10B-EH-S
J11	6510003080	CONNECTOR	RT01T-1.0B
S1	2220000420	SWITCH	ESD-11H120
S2	2220000420	SWITCH	ESD-11H120
EP1	0910040205	PCB	B-3932E

S.=Surface mount

# SECTION 7 MECHANICAL PARTS AND DISASSEMBLY

## 7-1 CABINET PARTS

LABEL NO.	ORDER NO.	DESCRIPTION	QTY.
①	8610008450	Knob cover for N-96	1
②	8610008570	Knob N-96 (A) (incl. allen screw)	1
③	8210008120	1296 Front glass	1
④	8610008430	Button K-202 [TRANSMIT]	1
⑤	8610008420	Button K-201 [POWER]	1
⑥	8930027120	1296 Knob plate	1
⑦	8930027960	1296 Push spring	3
⑧	8930027110	Push spring (P)	1
⑨	8610008440	Button spacer K-201	1
⑩	8810000990	Screw OH B0 M2 x 5	9
⑪	8610008410	Button K-200	2
⑫	8610008510	Knob N-45 (D)	2
⑬	8610008500	Knob N-69 (A)	2
⑭	8810007750	Screw PH B1 M3 x 18 ZK	1
⑮	8930027460	1296 Knob sheet	1
⑯	8930027470	1296 Brake pad	1
⑰	8930027090	1296 Brake plate	1
⑱	8820000770	1296 Screw	1
⑲	8850001330	Insulate flat washer (M)	1
⑳	8810002260	Screw FH B0 3 x 6	8
㉑	8610008470	Knob N-113 (C)	2
㉒	8610008460	Knob N-113 (B)	2
㉓	8210009750	1296 Front panel (E) (IC-736)	1
	8210011290	1296 Front panel (F)-1 (IC-738)	
㉔	8610008390	Button K-198 [TUNER, PRE-AMP, etc.]	1
㉕	8930027330	1296 Meter sponge	1
㉖	5510000410	Meter ME-33	1
㉗	8010002990	Meter holder	1
㉘	8610008370	Button K-196 [SSB, CW/N, etc.]	1
㉙	8610008380	Button K-197 [XFC, TS, etc.]	1

LABEL NO.	ORDER NO.	DESCRIPTION	QTY.
⑳	8610008340	Button K-193 [SEL, SCAN, etc.]	2
㉑	8810004320	Screw OH M3 x 8 BS ZK	19
㉒	8110005240	1413 Top cover	1
㉓	8810004010	Screw OH B0 2 x 8	21
㉔	8930003200	Spacer (P)	1
㉕	6450001230	Snap plate HLJ 0999-01-480	1
㉖	8950002971	1296 Bushigs nut-1	1
㉗	8810003160	Set screw (A) 3 x 6	2
㉘	8010015070	1413 Sub chassis	1
㉙	8810002250	Screw FH B0 2.6 x 6	2
㉚	2260001580	Switch JPZ 2120-0101 (TV-3)	1
	2260001260	Switch SW-118 (SDDFA3) (for IC-736 Eur)	
㉛	6450000191	Connector HLJ 4815-01-030	1
㉜	6510000190	Connector FM214-8SS (P)	1
㉝	7210001990	RV-233 (RK1242210 10KB/10KA) [AF]	1
㉞	7210002270	RV-279 (RK1242210 250KC/10KB) [MIC]	1
㉟	2250000110	SW-147 (EC24B50B) [MAIN DIAL]	1
㊱	2260001870	SW-146 (SRBM1L) [M-CH]	1
㊲	7210002300	RV-282 (RK0971110, 10KB) [PBT]	1
㊳	2250000140	SW-153 (EC16B40) [RIT/ΔTX]	1
㊴	7210002290	RV-280 (RK0971110, 100KC) [NOTCH]	1
㊵	8930027140	1296 LCD rubber	1
㊶	5030000910	LCD FTD-11668AAPH	1
㊷	8930029390	1296 A-LCD filter (B)	1
㊸	8930029400	1296 B-LCD filter (A)	1
㊹	8930027040	1296 LCD holder	1
㊺	8930000200	Stand-off (P)	1
㊻	8810007970	Screw OH B0 M3 x 6 NI	7
㊼	8810000010	Screw OH M2 x 4	1
㊽	8810004970	1296 Bottom cover	1

**Screw abbreviations:** PH: Pan head OH: Oval countersunk head FH: Flat head B0, B1, C0: Self-tapping BS: Brass NI: Nickel ZK: Black

## 7-2 CHASSIS PARTS \*1...(IC-736) \*2...(IC-738)

LABEL NO.	ORDER NO.	DESCRIPTION	QTY.
①	8810007970	Screw OH B0 3 x 6 NI	59*1 53*2
②	8930029730	1413 Fan folder	1
③	2710000330	Fan FBA08A12HA	1
④	8820000550	Cap bolt M4 x 8 ZK	4
⑤	8510008850	1413 Shield cover	1
⑥	8810003960	Set screw (A) 2.6 x 5	4
⑦	8930004070	Grounding spring (C)	2
⑧	8010015060	1413 main chassis	1
⑨	6910001360	Water proof cap (A1) (IC-736)	1
⑩	8810008160	6 angle bolt (+) M5 x 18 NI	1
⑪	8810001360	Screw OH B1 3 x 8	1
⑫	8410001892	1413 Heat sink-2	1
⑬	2510000040	Speaker C065K12I0810	1
⑭	8930031560	1413 Speaker sheet	1
⑮	8930030820	Sponge (DL)	1
⑯	8850000150	Frat washer M5 BS NI	3
⑰	8850000440	Spring washer M5 NI	1
⑱	8830000210	Nut M5 BS NI	1
⑲	8830000360	Wing nut M5 NI	1
⑳	2040000220	AC line filter 10DEEG3M (IC-736)	1
㉑	8810007840	Screw PH B1 3 x 8 ZK	14*1 12*2
㉒	5220000240	Fuse holder PFP9090-0203 (IC-736)	1
㉓	5220000270	Fuse cap PFP9090-0403 (IC-736)	1
㉔	6510004880	Antenna connector MR-DSE-01	2

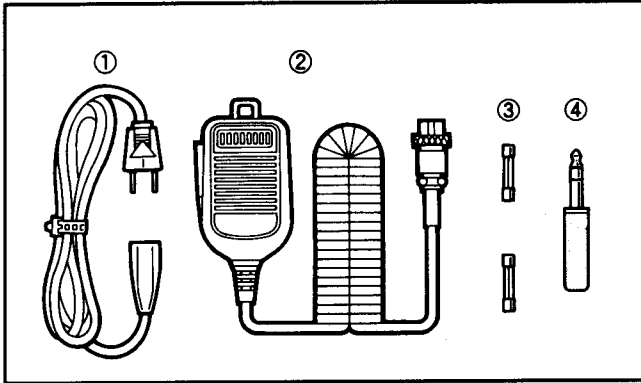
LABEL NO.	ORDER NO.	DESCRIPTION	QTY.
㉕	2710000470	Fan MF60B-12H 901	1
㉖	8930030420	Grill FG 60B	1
㉗	8810008150	Screw OH B1 4 x 25 NI	4
㉘	8810005980	Set screw (C) 4 x 15	5
㉙	8510008550	1413 T-cover (IC-736)	1
㉚	8930020860	IC-holder (IC-736)	3
㉛	8810005450	Screw PH B1 4 x 8 (IC-736)	2
㉜	8810001360	Screw OH B1 3 x 8	4
㉝	8950003270	Push rivets P3045B	1
㉞	8510008560	1413 PA cover	1
㉟	8510008750	1414 A-shield plate	1
㊱	8810015140	1414 U-chassis	1
㊲	8510008590	1414 Shild plate	1
㊳	8810003160	Set screw (A) 3 x 6	6
㊴	8930030100	1414 Angle	1
㊵	8950003200	Universal couplings UJ6-5	2
㊶	8930030110	1414 Plate	2
㊷	2710000460	Stepping motor MP28GA	2
㊸	8010015150	1414 L-chassis	1
㊹	8310034040	1592 Rear plate (IC-738)	1
㊺	8810008310	Screw PH B0 3 x 8 NI (IC-738)	2
㊻	8930021010	Domed plug DP-500 (IC-738)	1
㊼	6510001920	Connector 1490A [TUNER]	1
㊽	6510003780	Connector LLR-06 [DC13.8 V] (IC-738)	1

**Screw abbreviations:** PH: Pan head OH: Oval countersunk head FH: Flat head BS: Brass NI: Nickel B1, C0: Self-tapping screw



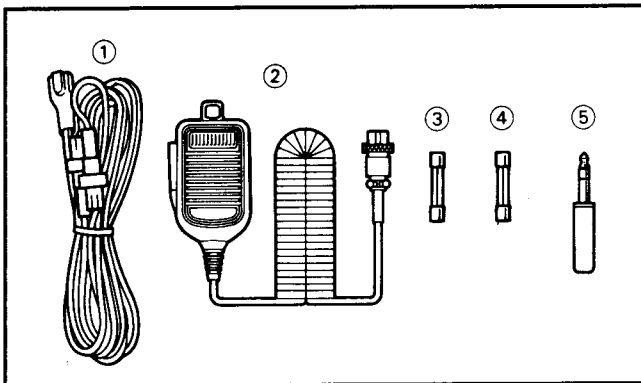
## 7-3 ACCESSORIES

### • IC-736

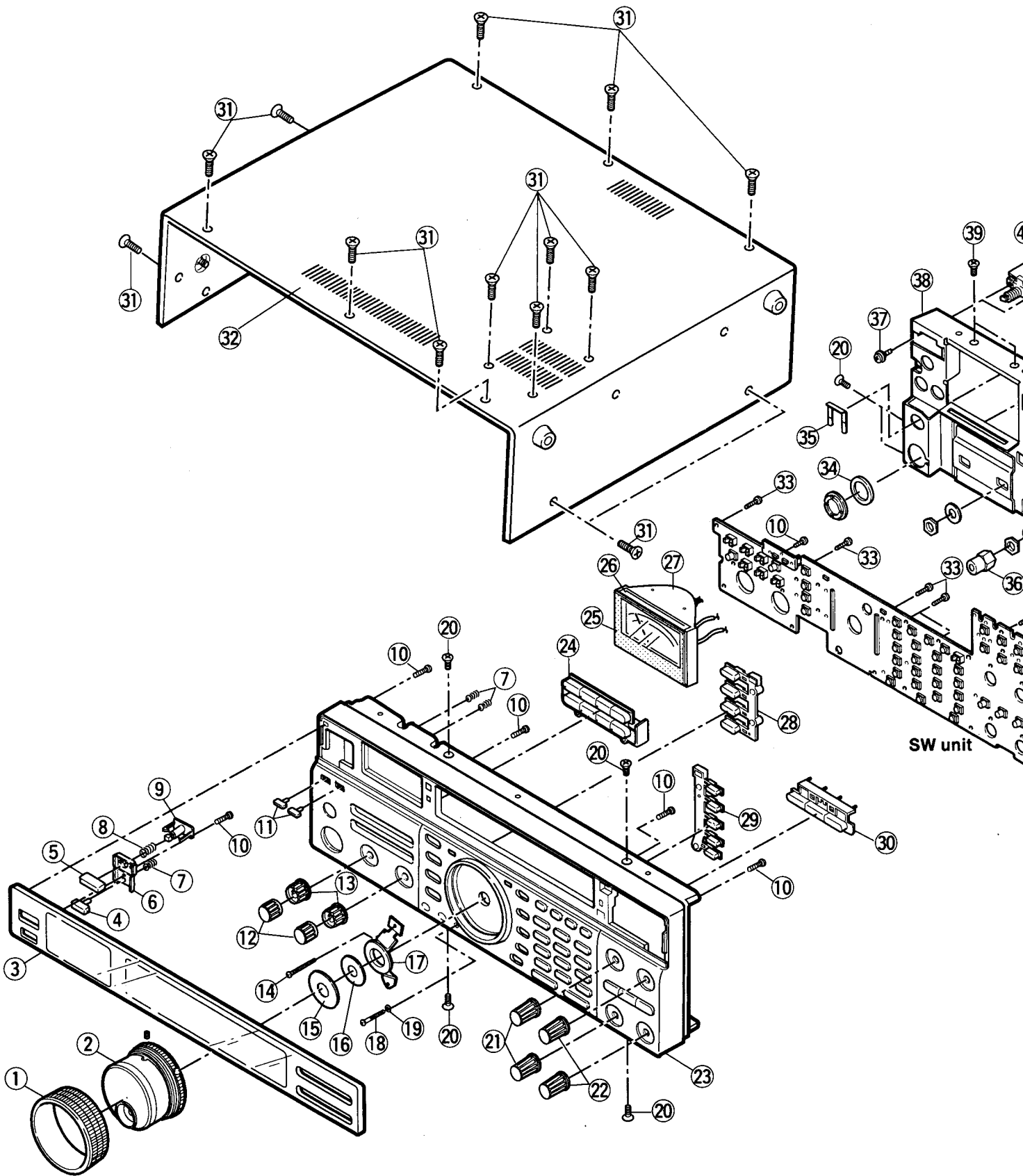


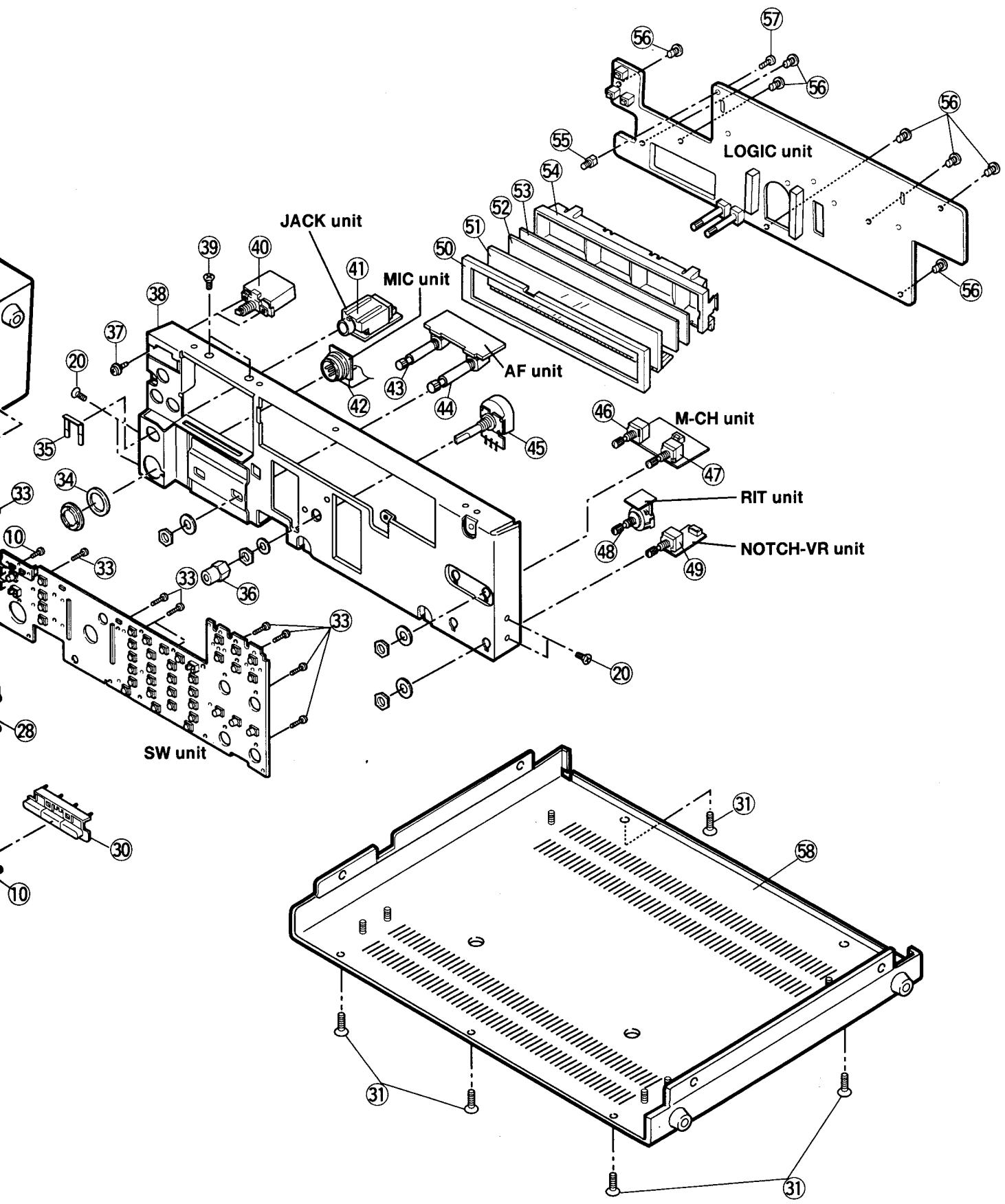
LABEL NO.	ORDER NO.	DESCRIPTION	QTY.
①	8900000330	AC power cable OPC-034 (USA)	1
	8900005130	AC power cable OPC-492 (FRA, EUR)	
	8900000870	AC power cable OPC-085 (AUS)	
②	Optional product	Microphone HM-36	1
③	5210000400	Fuse FGMB 125 V 10 A (USA)	2
	5210000410	Fuse S505-N5A-1 5 A (Other versions)	
④	5210000050	CW key plug AP330	1

### • IC-738



LABEL NO.	ORDER NO.	DESCRIPTION	QTY.
①	8900000220	DC power cable OPC-025A	1
②	Optional product	Microphone HM-36	1
③	5210000080	Fuse FGB 20 A	1
④	5210000130	Fuse FGB 4 A	1
⑤	5610000050	CW key plug AP330	1

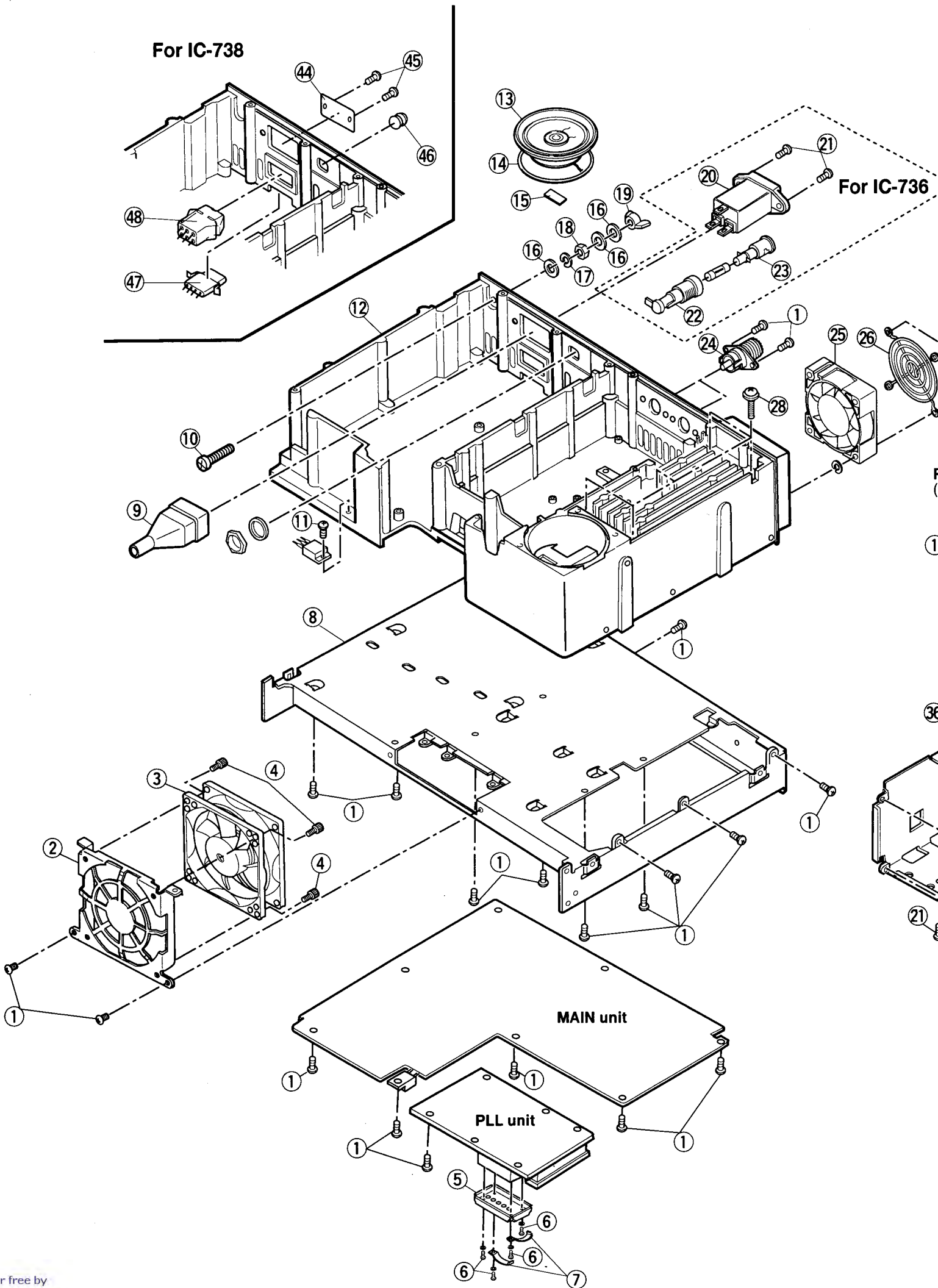




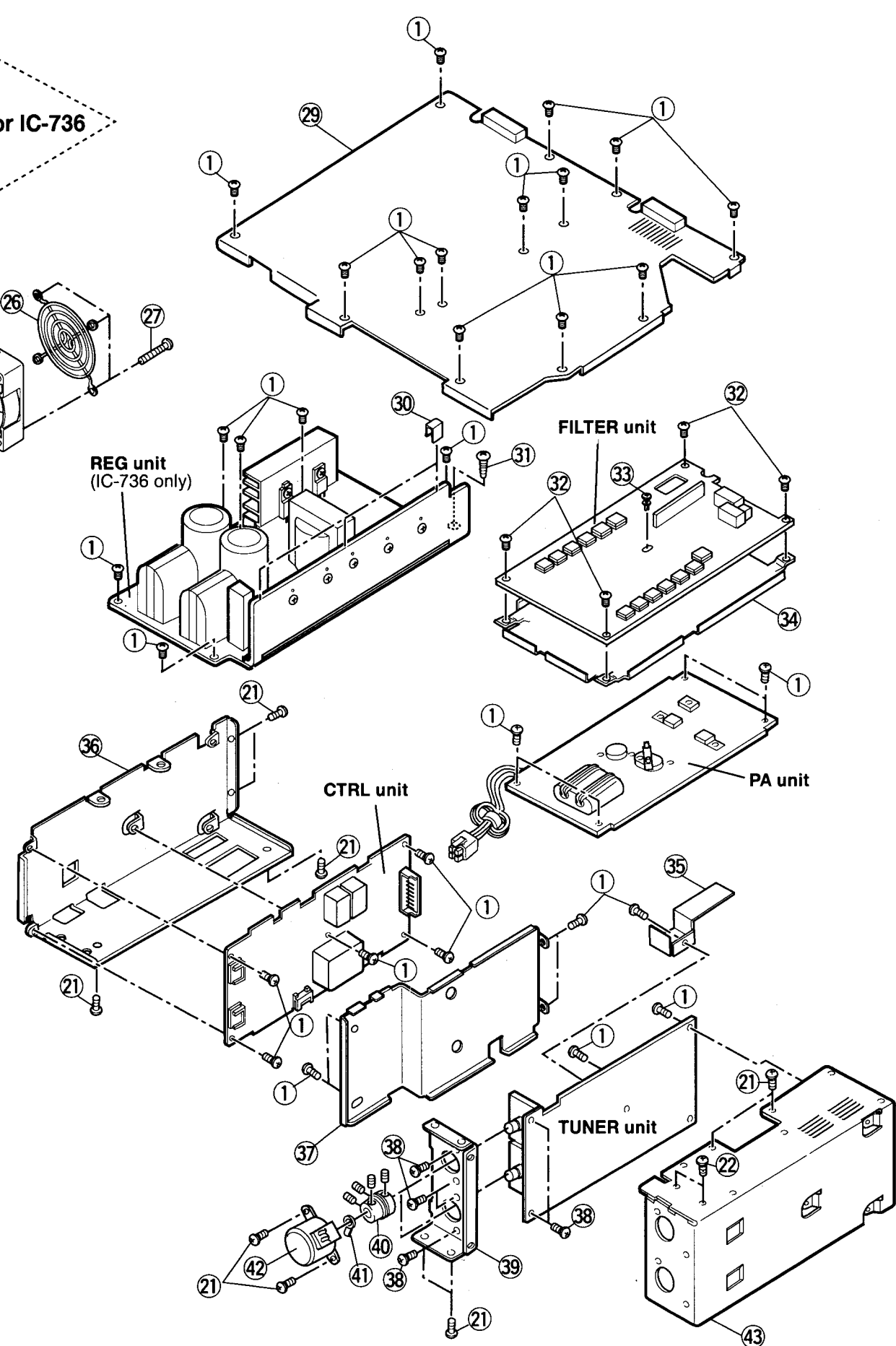
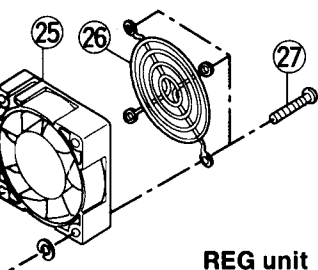


For IC-738

For IC-736

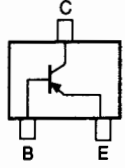
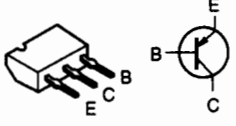
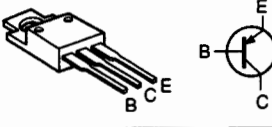
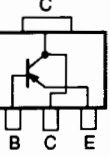
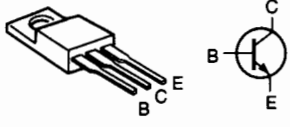
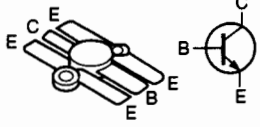
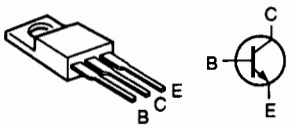
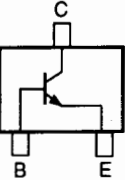


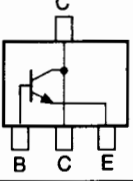
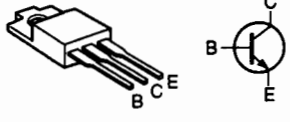
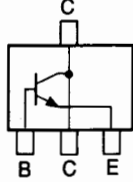
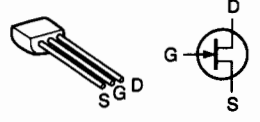
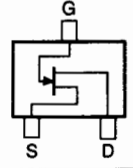
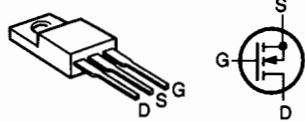
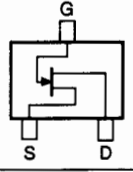
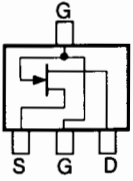
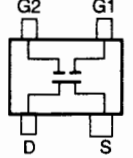
For IC-736



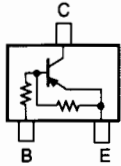
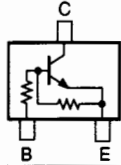
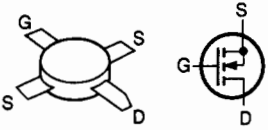
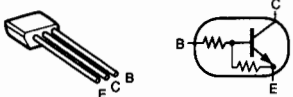
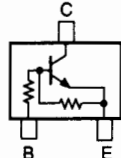
# SECTION 8 SEMI-CONDUCTOR INFORMATIONS

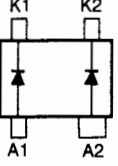
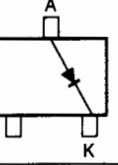
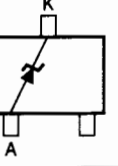
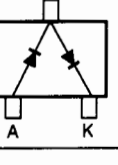


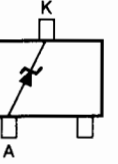
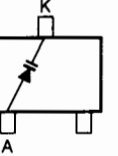
## 8-1 TRANSISTORS

NAME	SYMBOL	INSIDE VIEW
2SA1576-R	FR	
2SA1586-Y	SY	
2SB909M R	-	
2SB1015-Y	-	
2SB1119-S	BB	
2SC1971 (IC-738)	-	
2SC2904 (IC-738)	-	
2SC3133 (IC-738)	-	
2SC3324-BL	CBL	
2SC4081-R	BR	
2SC4116-GR	LG	
2SC4213-B	AB	
2SC4215-O	QO	
2SC4403-3	LY3	



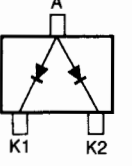
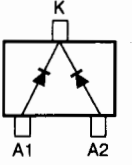
NAME	SYMBOL	INSIDE VIEW
2SC4673-D	CO	
2SD1406-Y (IC-738)	-	
2SD1623	DH	
2SK30A	-	
2SK210-GR/Y	YG/Y	
2SK408 (IC-736)	-	
2SK409 (IC-736)	-	
2SK619 (IC-736)	-	
2SK880-Y	XY	
2SK882-Y	TY	
2SK2171-4	KM	
2SK2218	KN	
3SK131-MAS	V13	



NAME	SYMBOL	INSIDE VIEW
DTA114EU	14	
DTC114EU	24	
MRF-174MP (IC-736)	-	
RN1202	-	
RN1302	XB	

NAME	SYMBOL	INSIDE VIEW
1SS319	A4	
DA113W	AY	
DA114	AV	
HSM88AS	C1	
MA77	4B	
MA338	H9	
RD3.6E B1	361	
RD3.9E B2	392	
RD4.7E B1 (IC-738)	471	
RD5.1E B2	512	
RD5.6MB2	562	
RD6.2M B2	622	
RD8.2E B1 (IC-738)	821	
RD9.1M B2	912	
SVC252	HV	

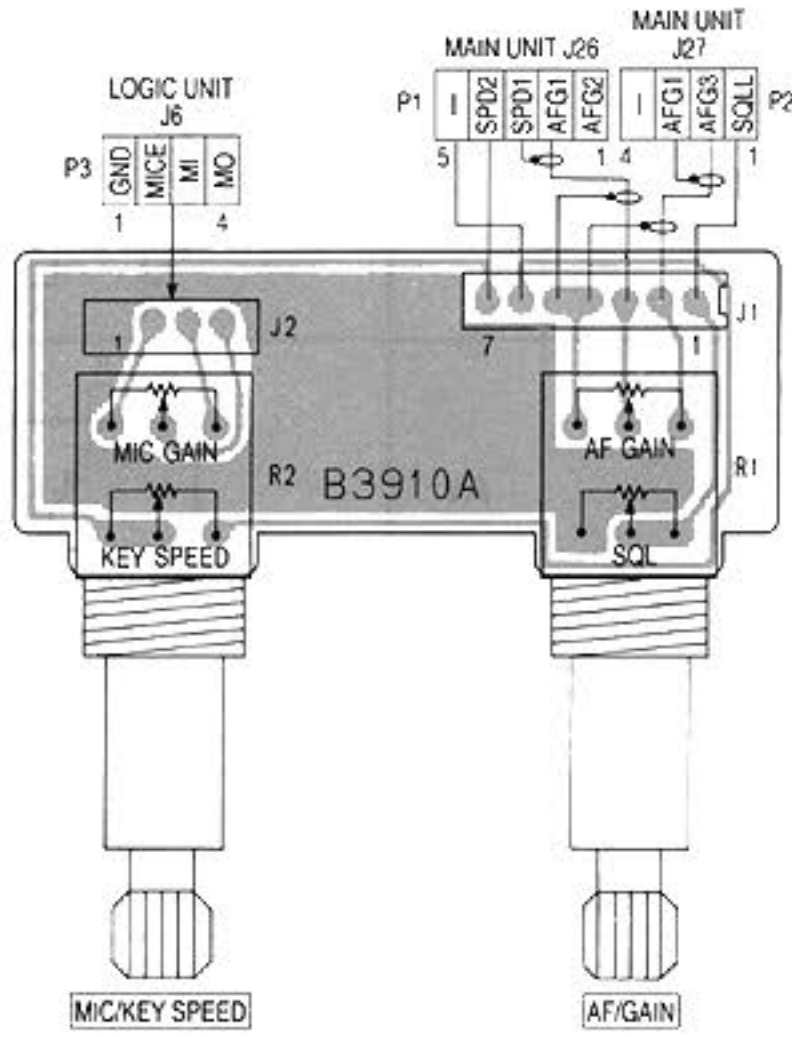
## 8-2 DIODES

NAME	SYMBOL	INSIDE VIEW
1SS133	yellow	
1SS237	green	
1SS265	gray	
1SS300	A3	
1SS301	B3	
1SS312	BF	

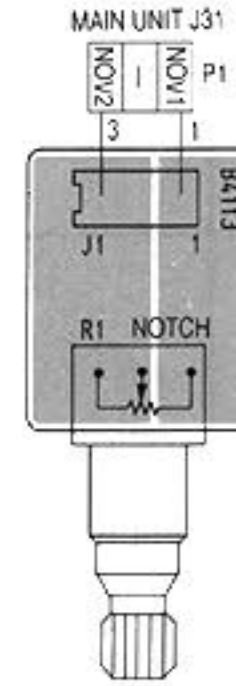
# SECTION 9 BOARD LAYOUTS

## 9-1 SW UNIT

### • AF UNIT (TOP VIEW)

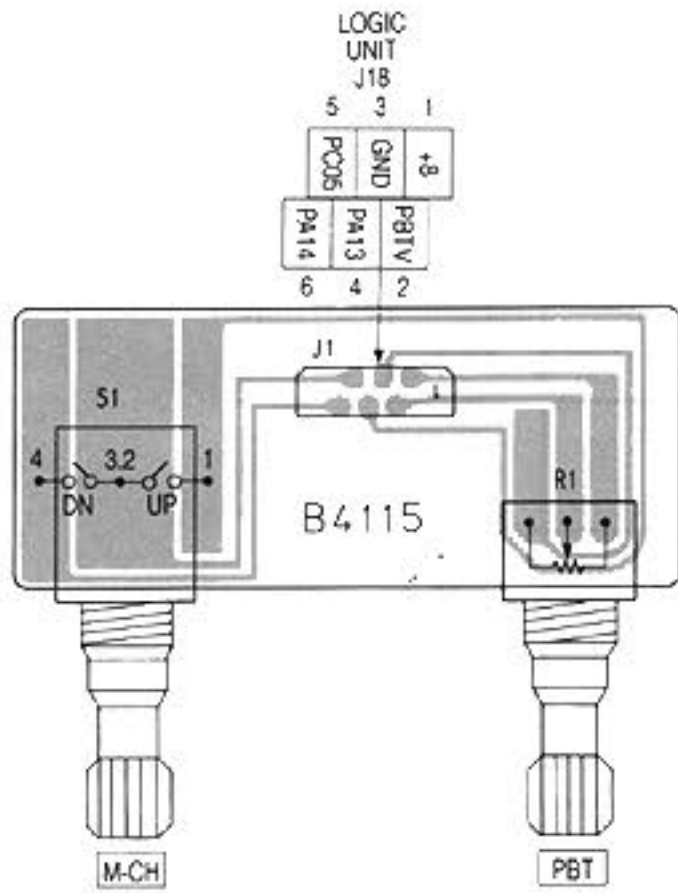


### • NOTCH-VR UNIT (TOP VIEW)

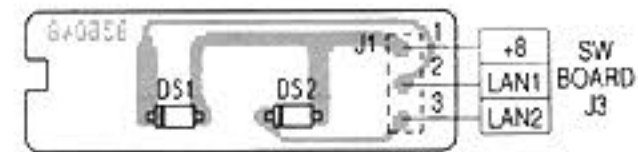


### • RIT UN

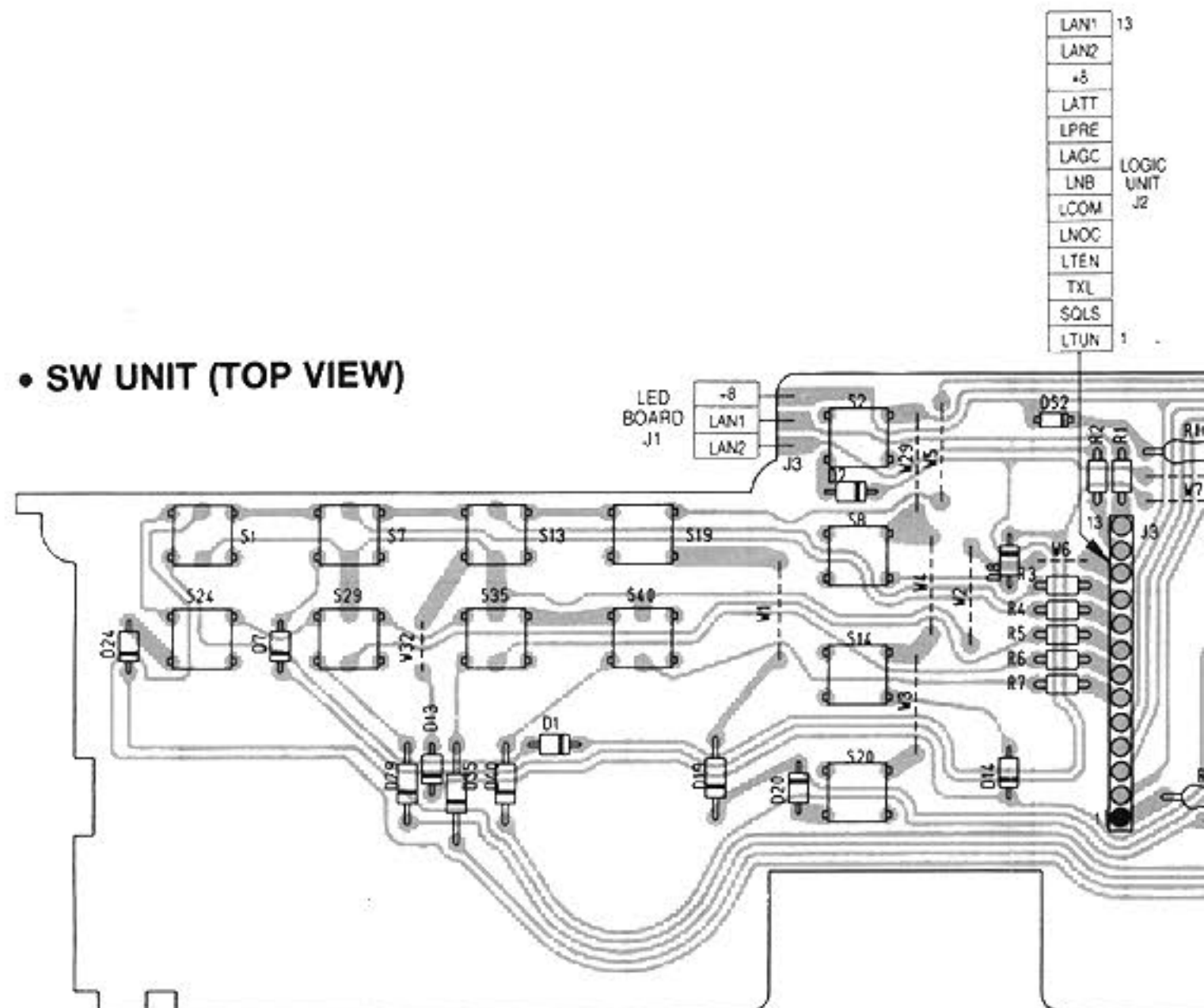
### • M-CH UNIT (TOP VIEW)



### • LED BOARD (TOP VIEW)

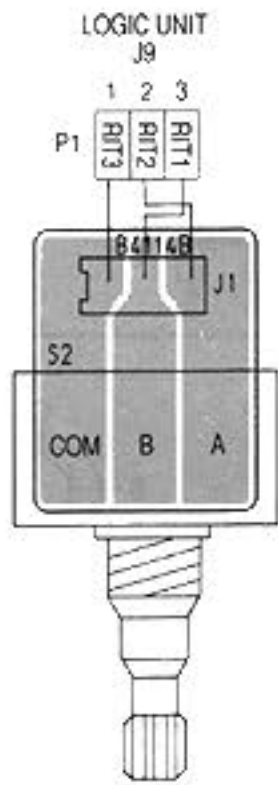


### • SW UNIT (TOP VIEW)

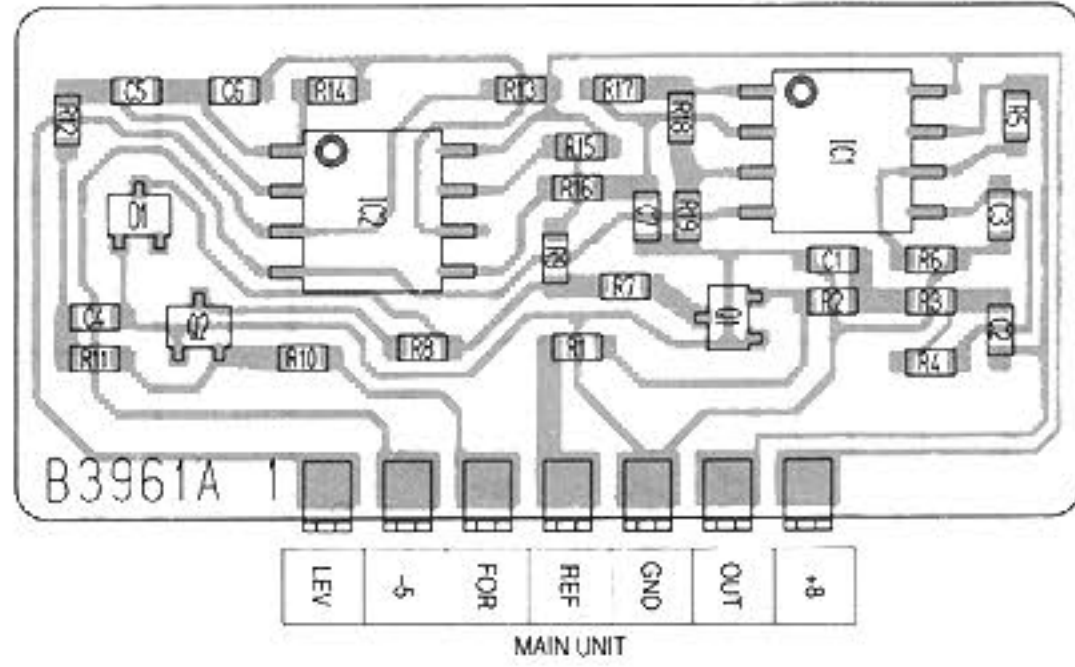




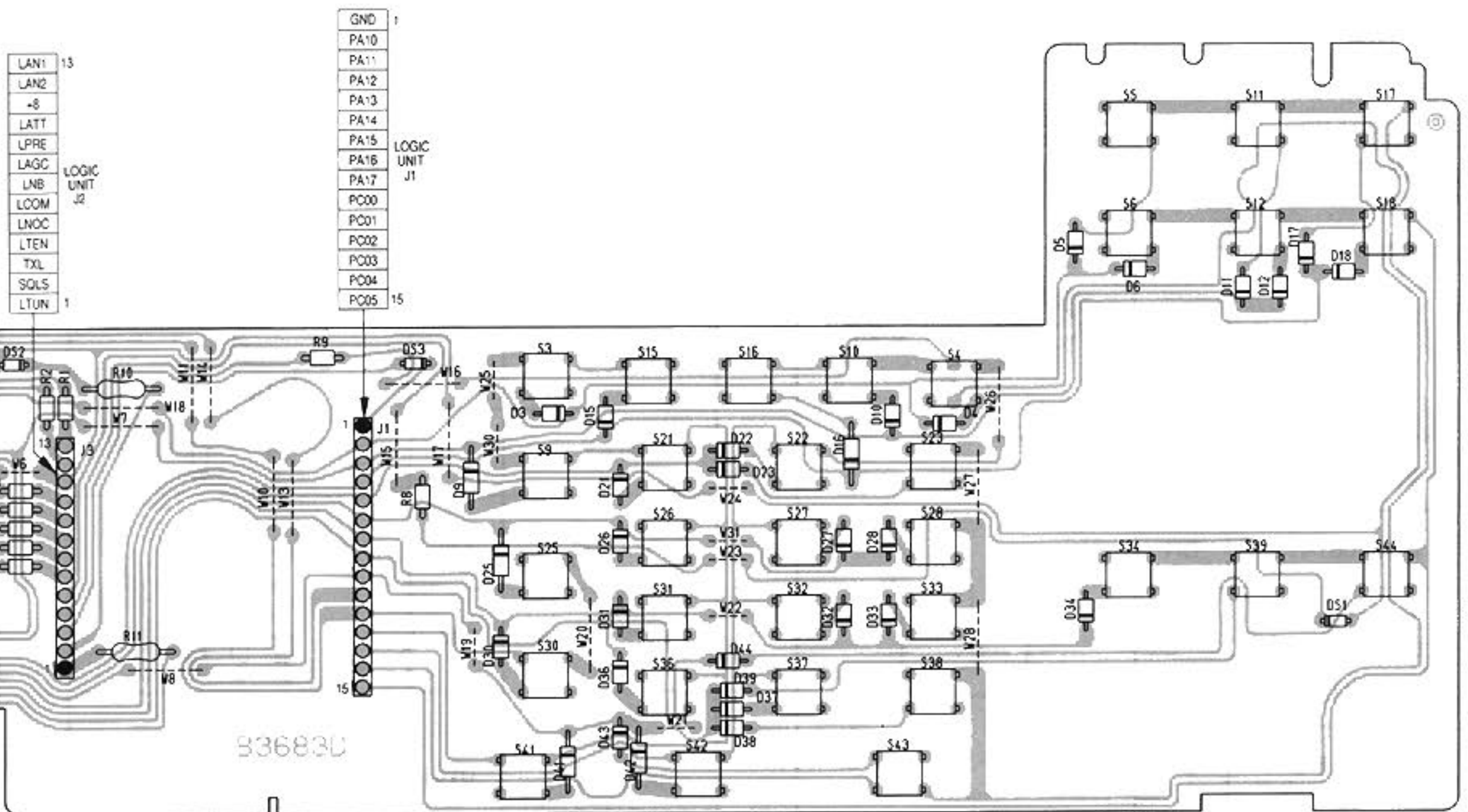
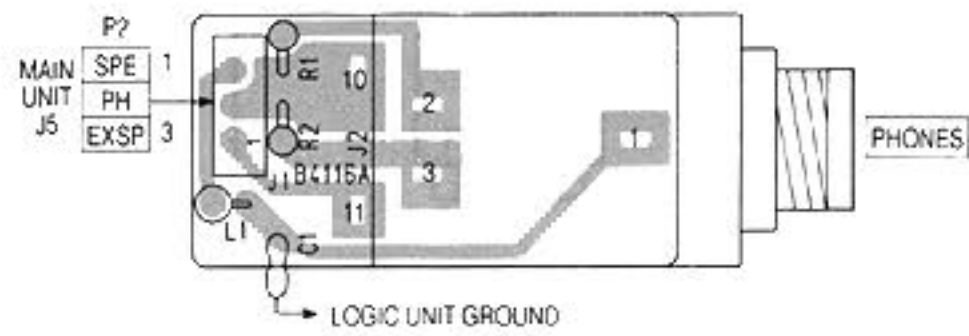
• RIT UNIT (TOP VIEW)



• SWR BOARD (TOP VIEW)



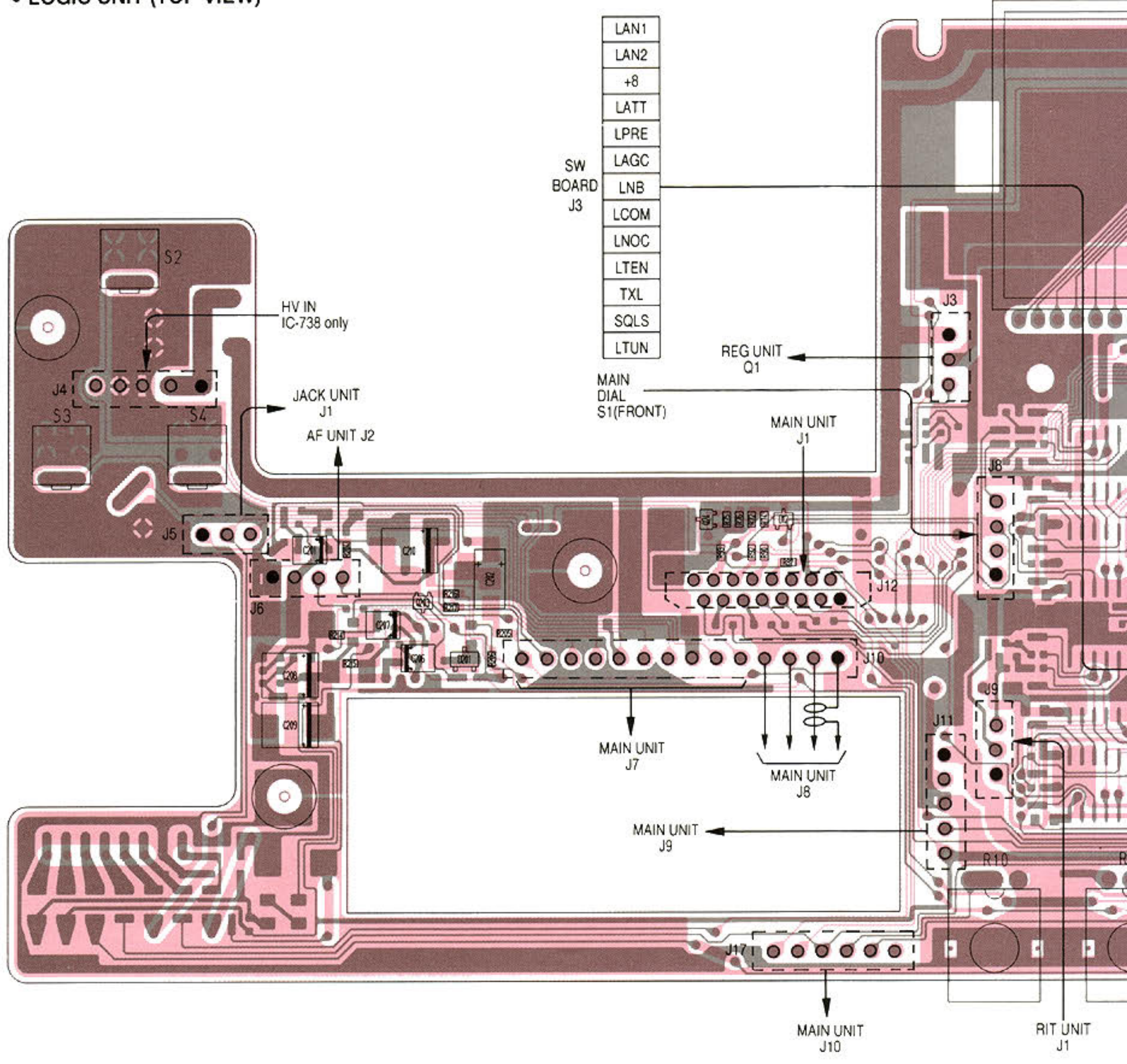
• JACK UNIT (TOP VIEW)



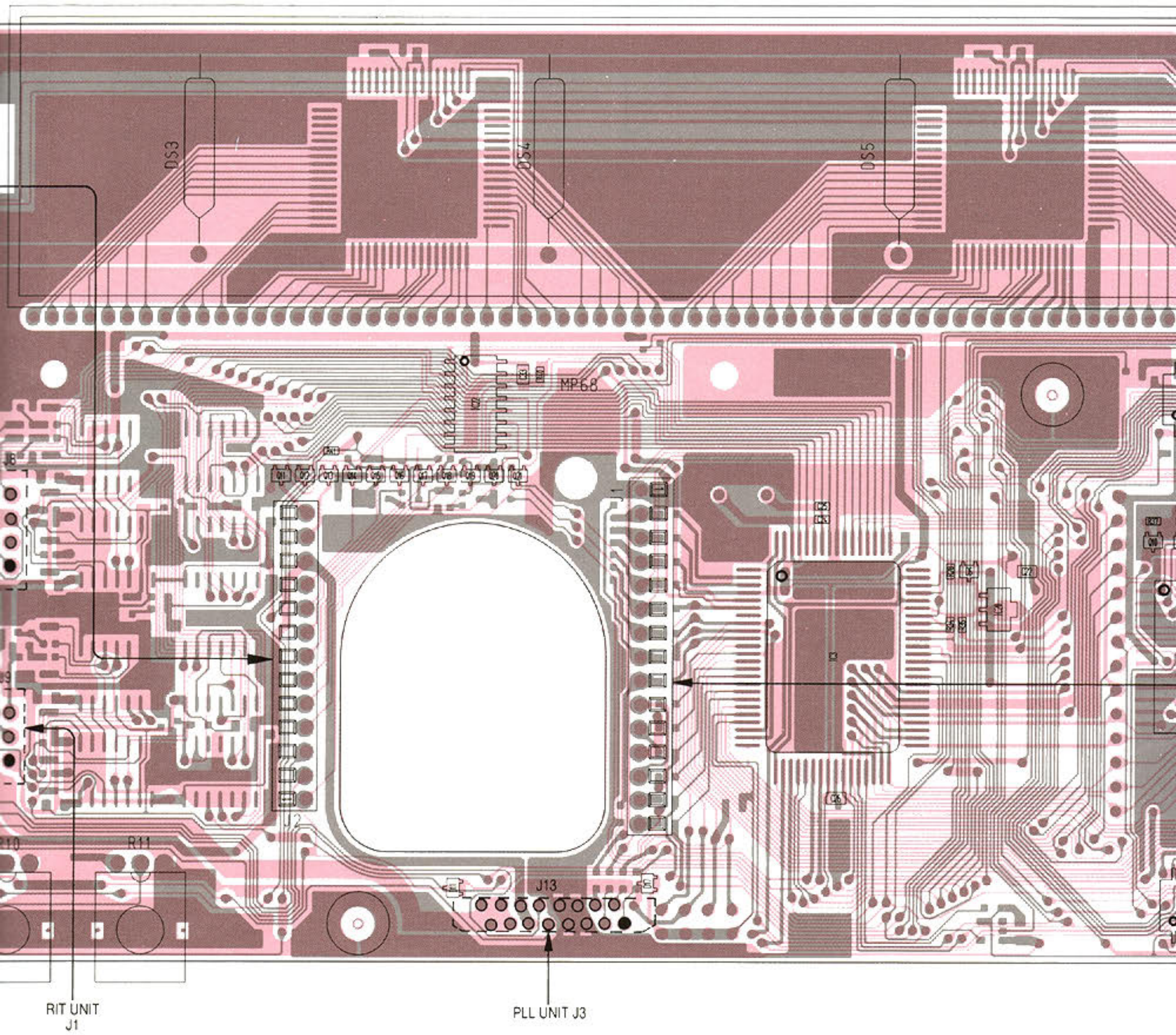


# 9-2 LOGIC UNIT

## • LOGIC UNIT (TOP VIEW)

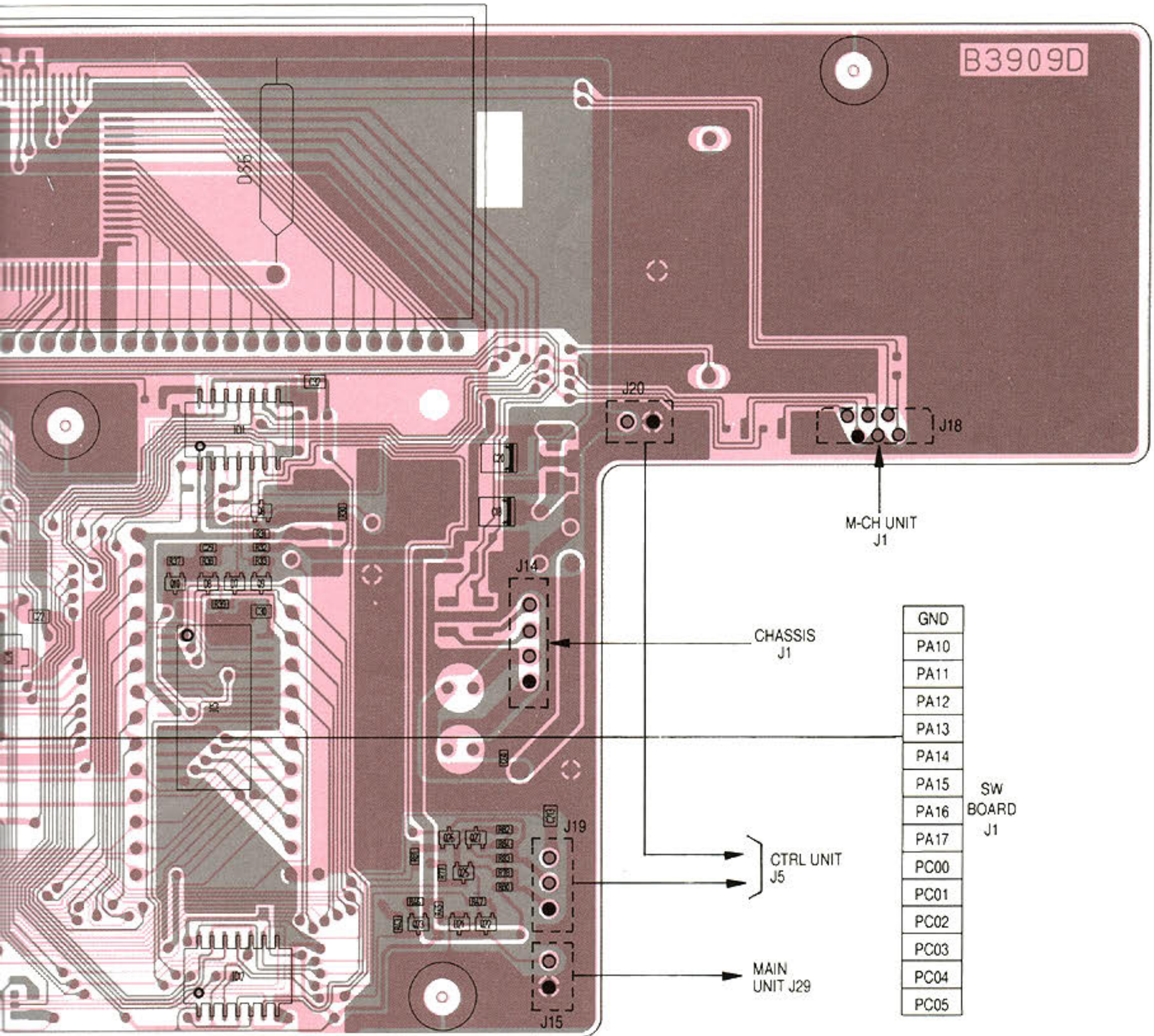








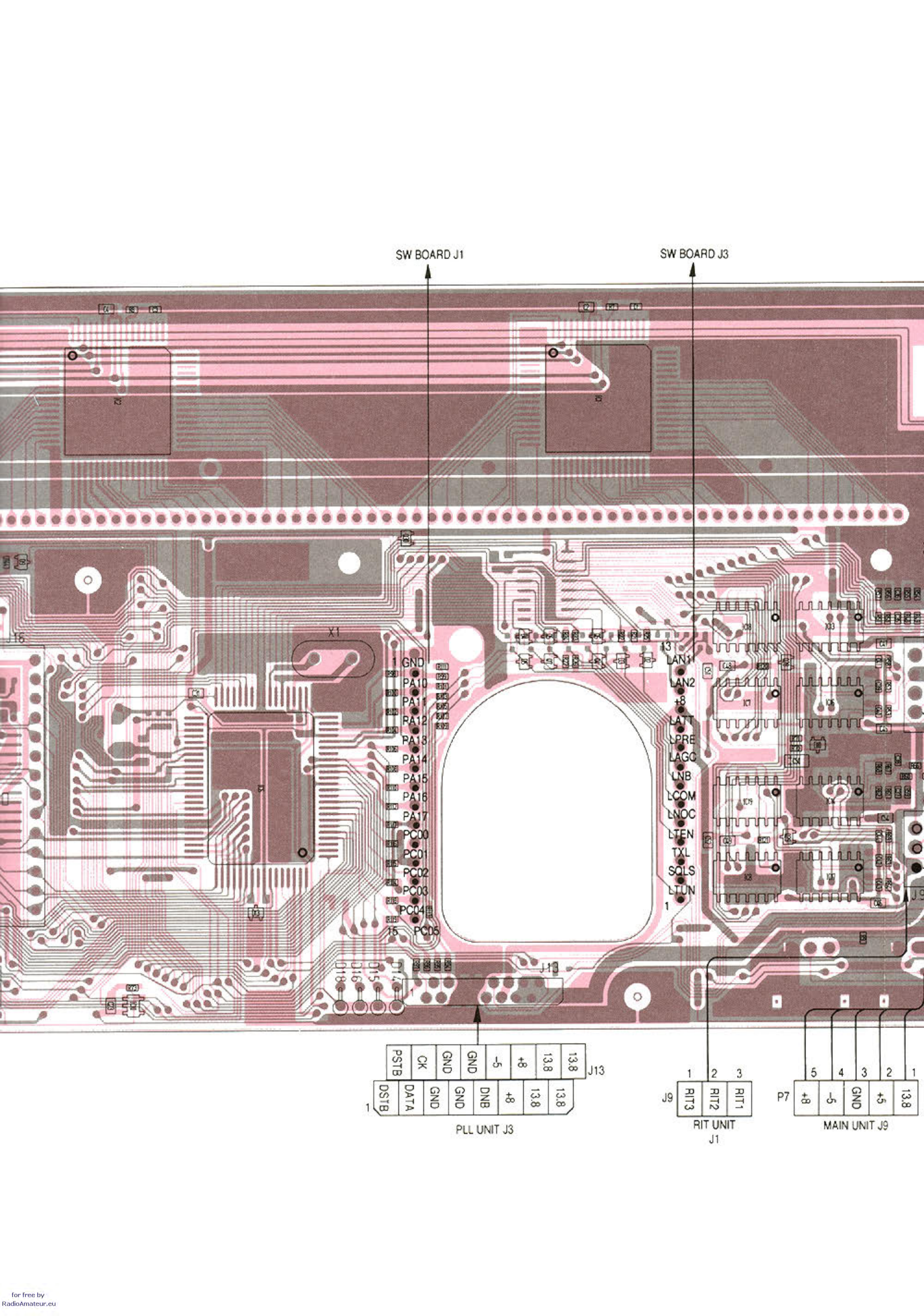
The combination of this page and the next page shows the unit layout in the same configuration as the actual P.C. Board.



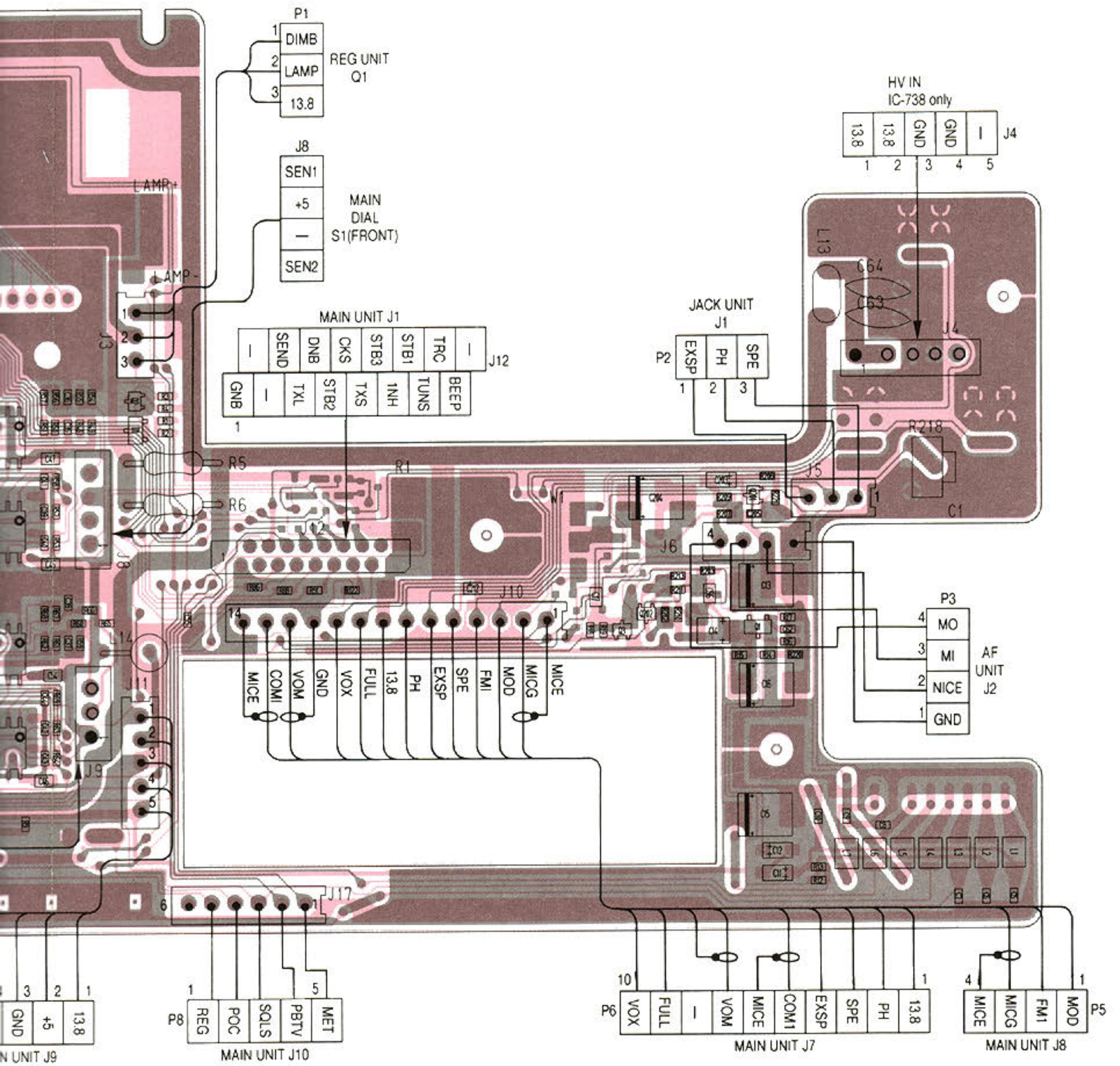








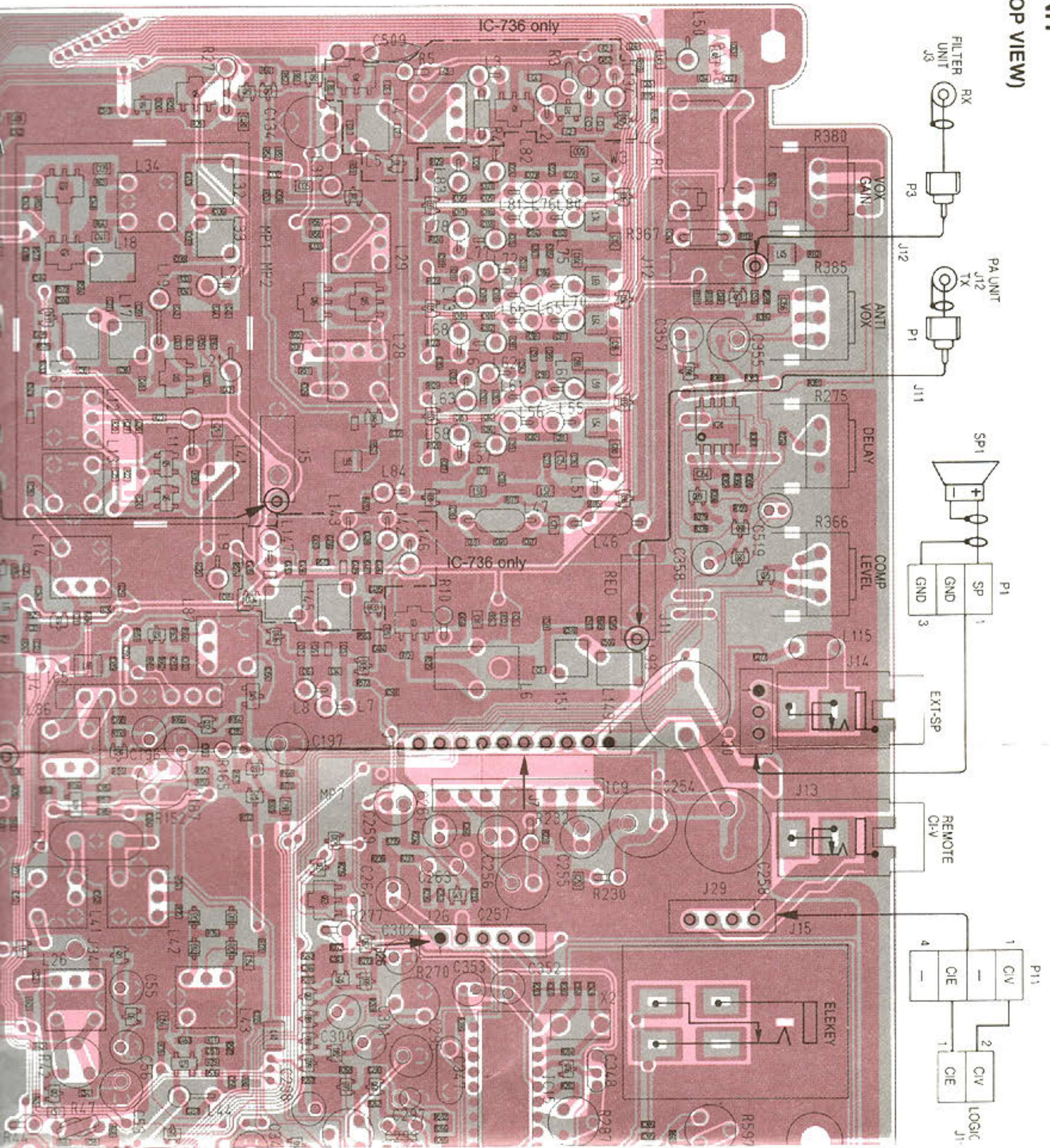




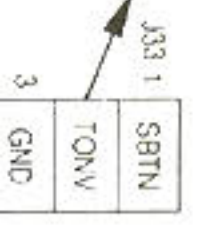
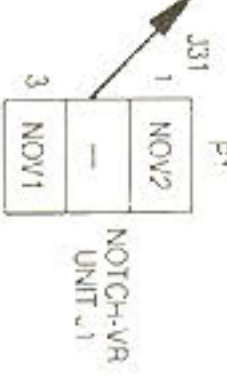
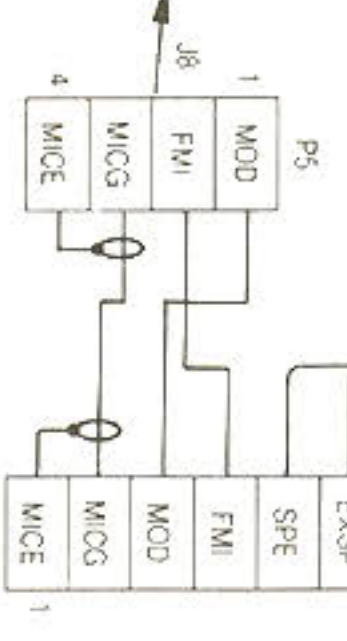
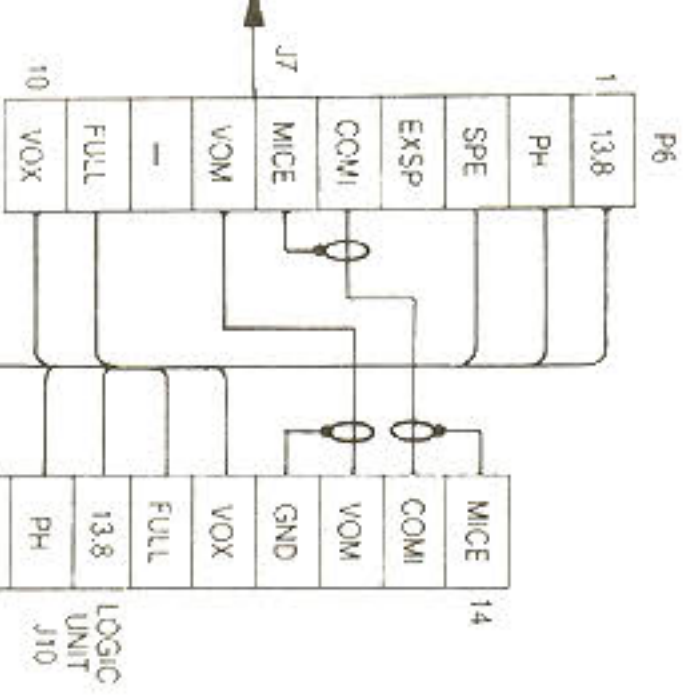
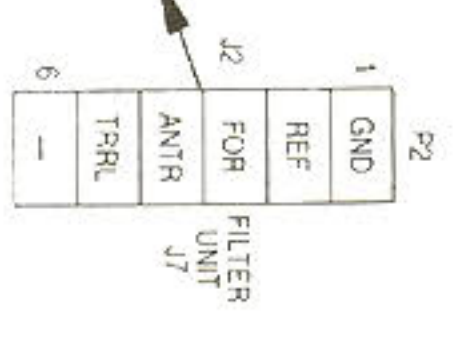
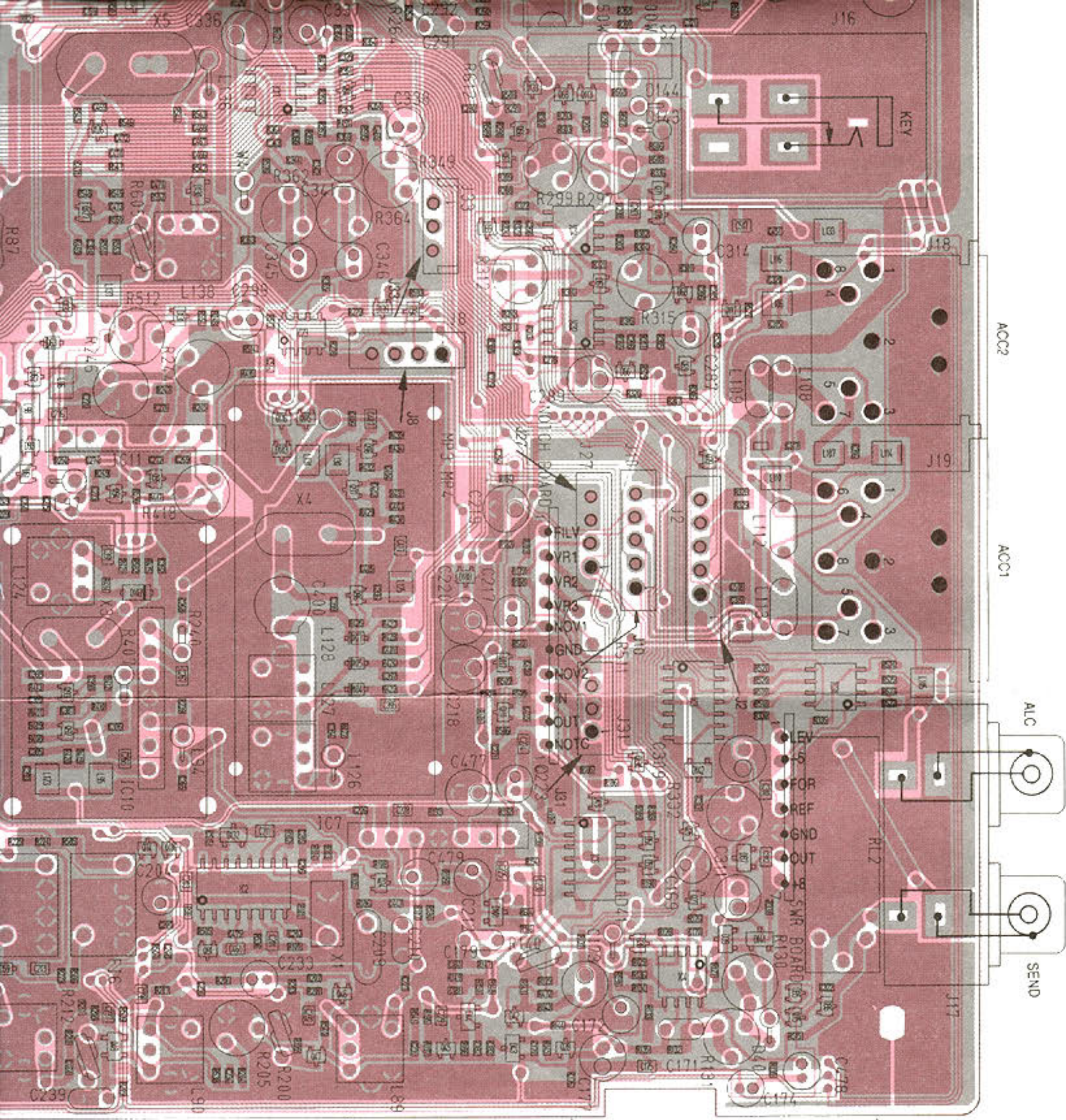


# 9-3 MAIN UNIT

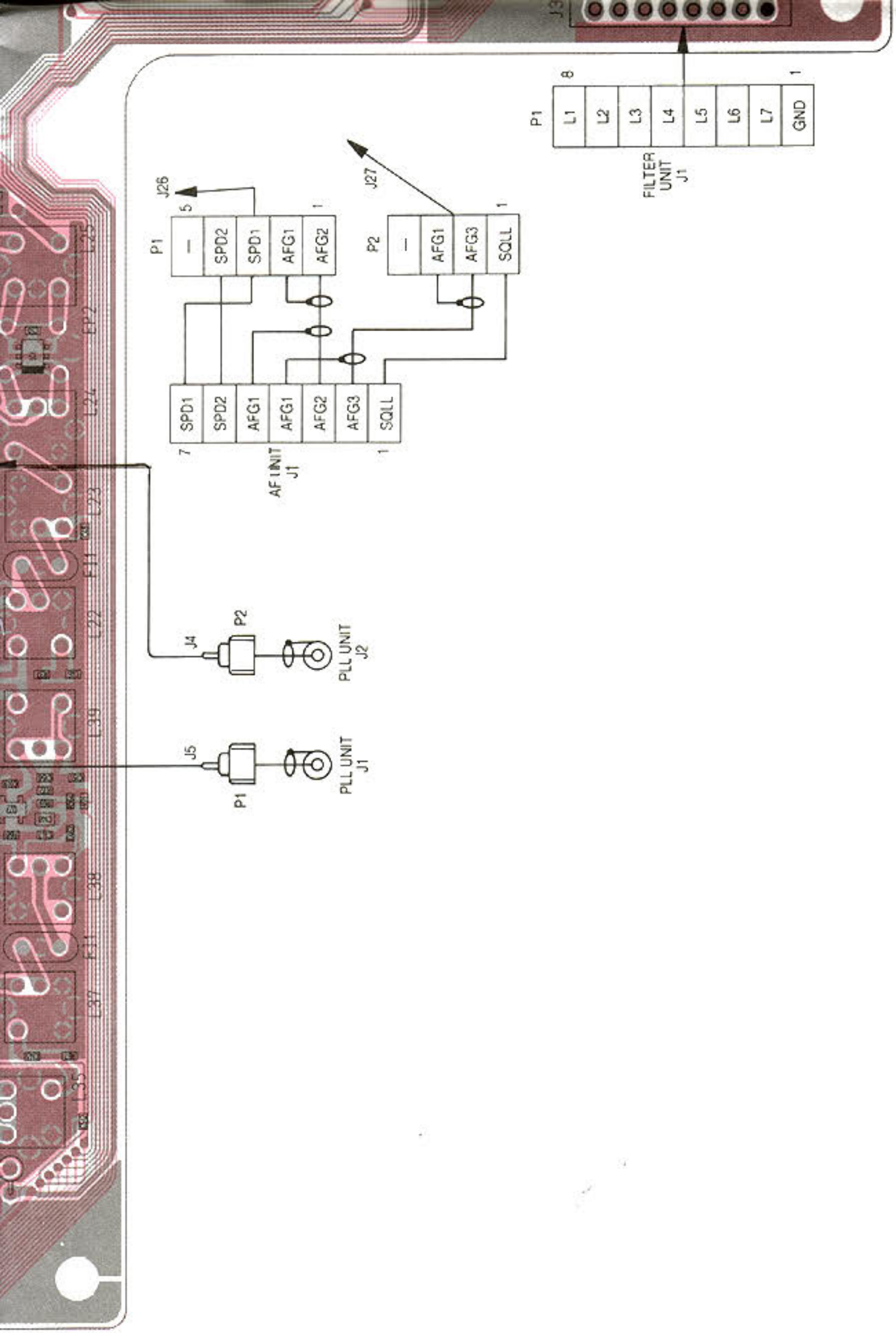
• MAIN UNIT (TOP VIEW)







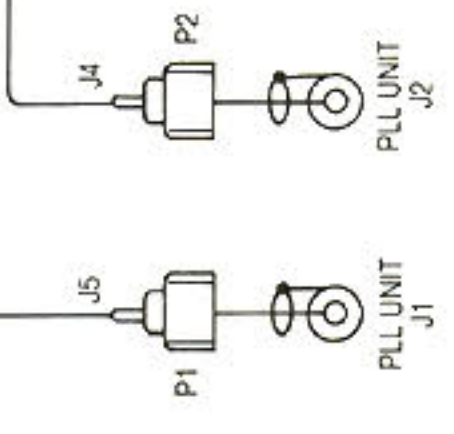
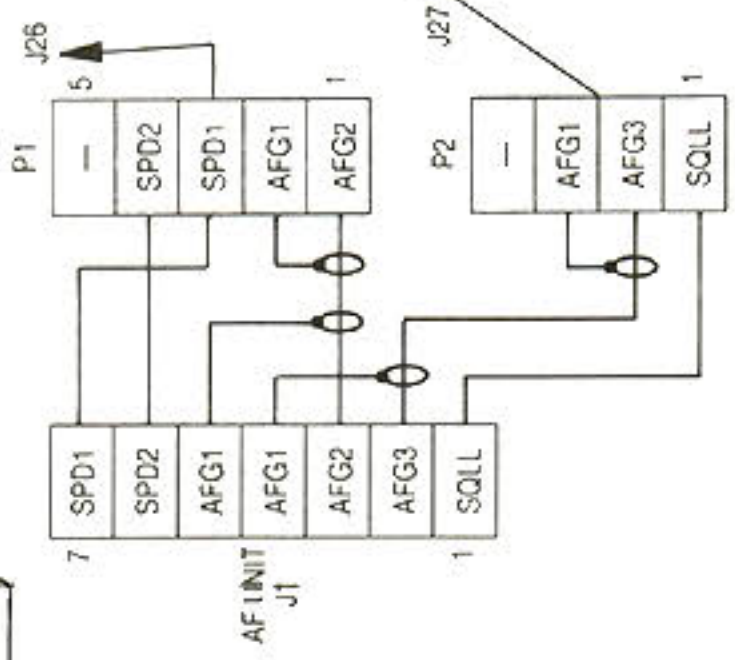




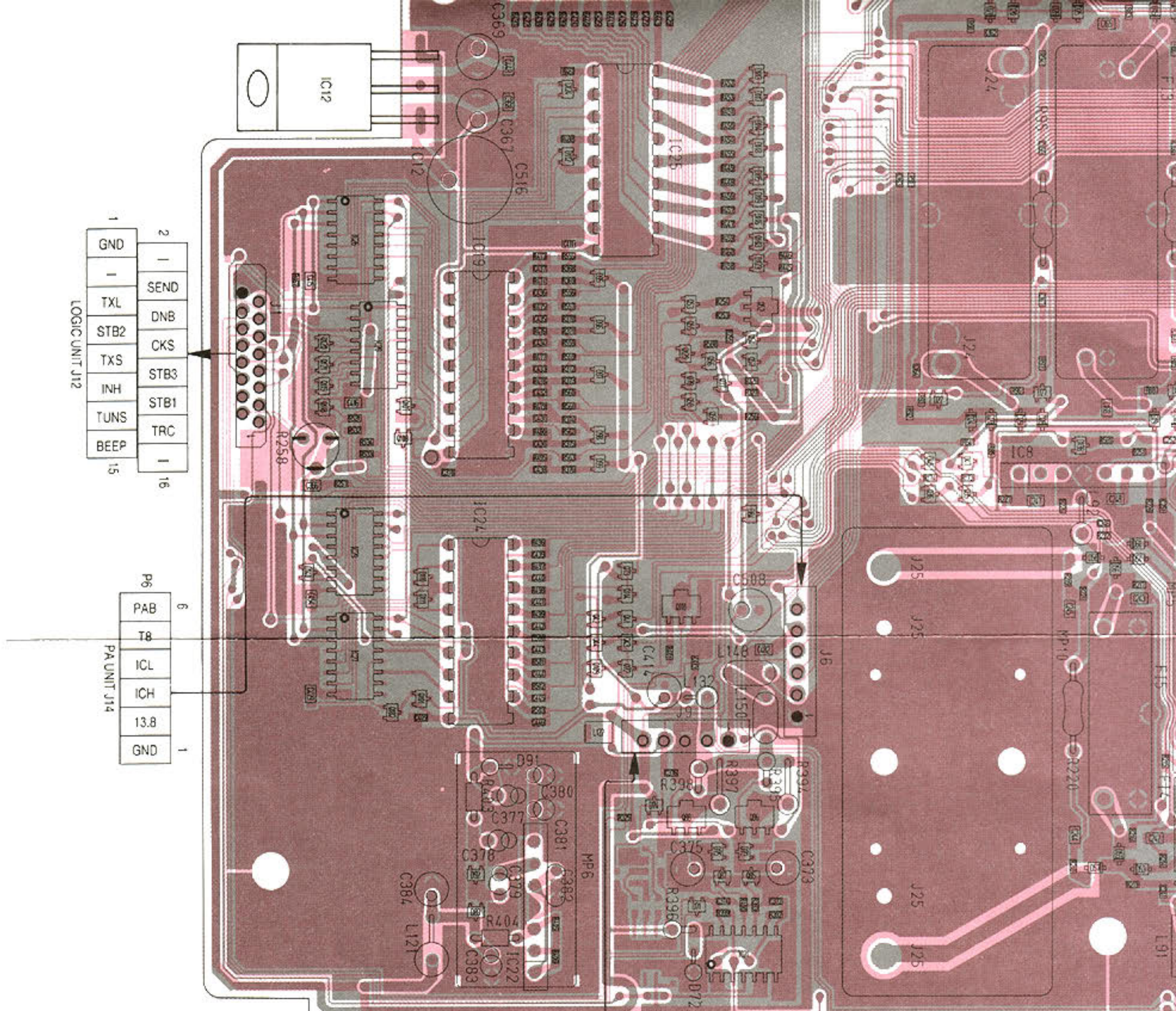
P1

L1	8
L2	
L3	
L4	
L5	
L6	
L7	
GND	1

FILTER UNIT J1







LOGIC UNIT J12

1	GND
2	SEND
	DNB
	CKS
	STB3
	STB1
	TRC
16	
	TXS
	INH
	TUNS
5	BEEP

PA UNIT J14

6	PAB
	TB
	ICL
	ICH
	13.8
1	GND

LOGIC UNIT J17

1	RFG
	POC
	SOCS
	PBTV
5	MET

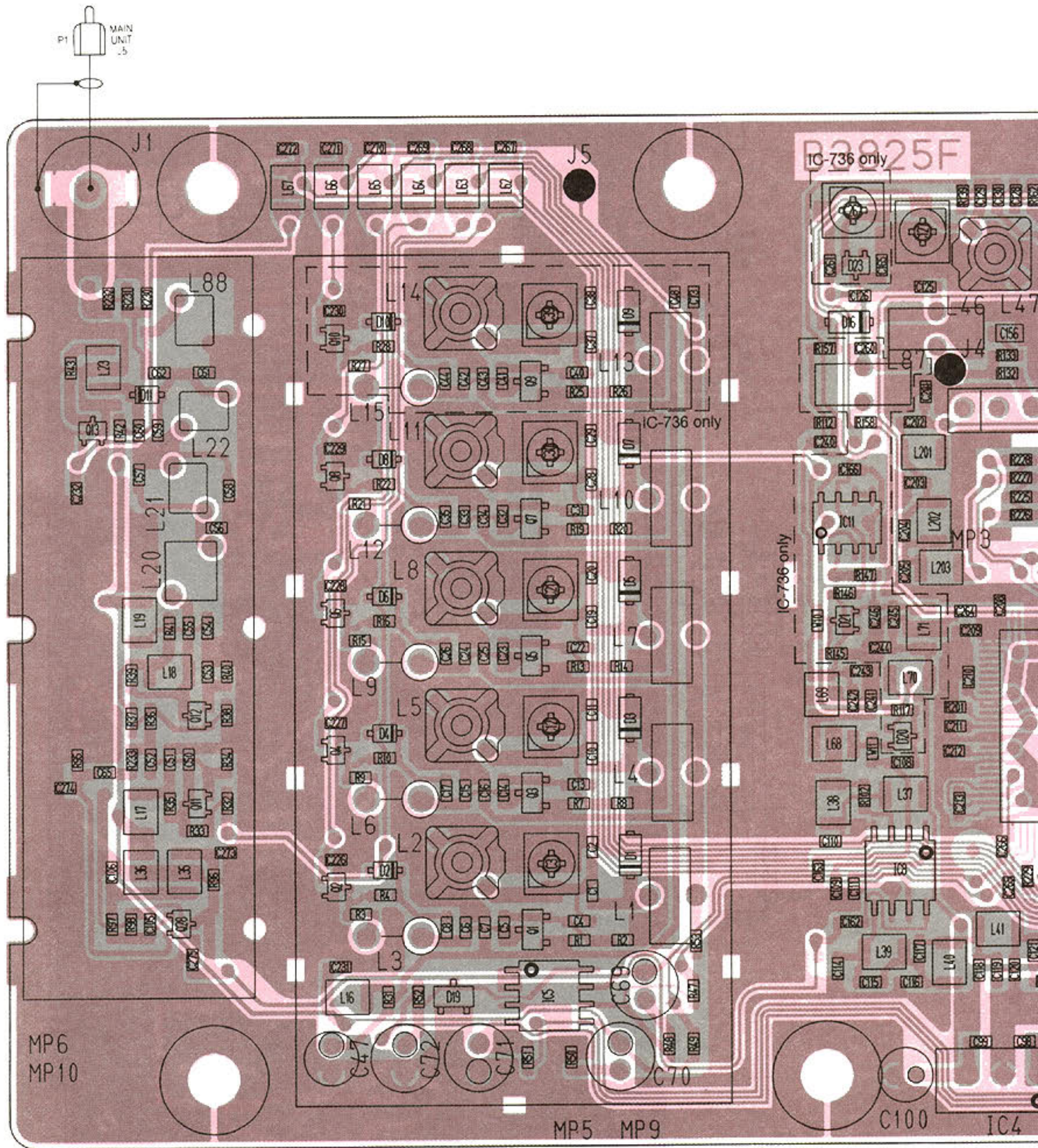
LOGIC UNIT J11

1	13.8
	+5
	GND
	-5
5	+8



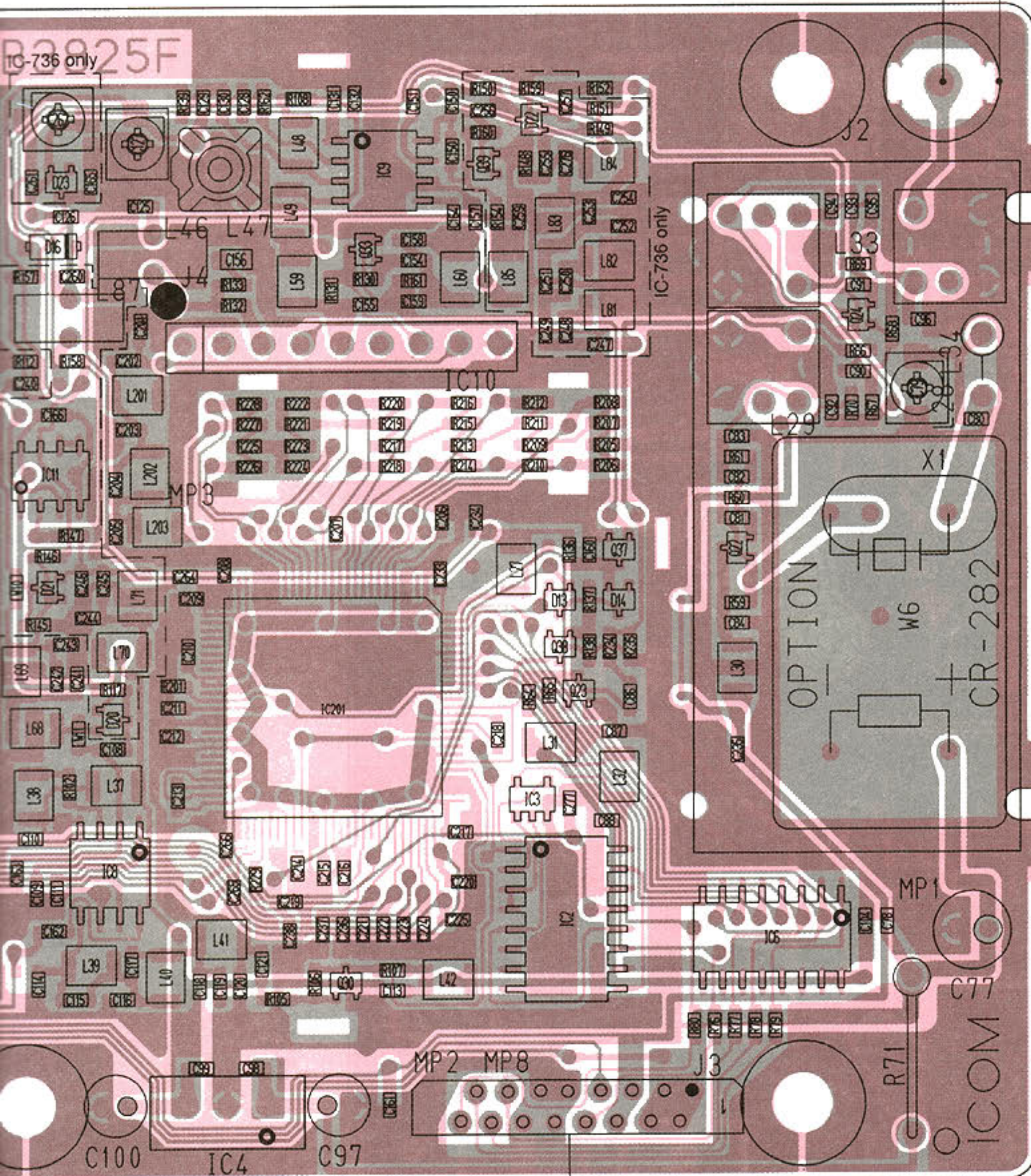
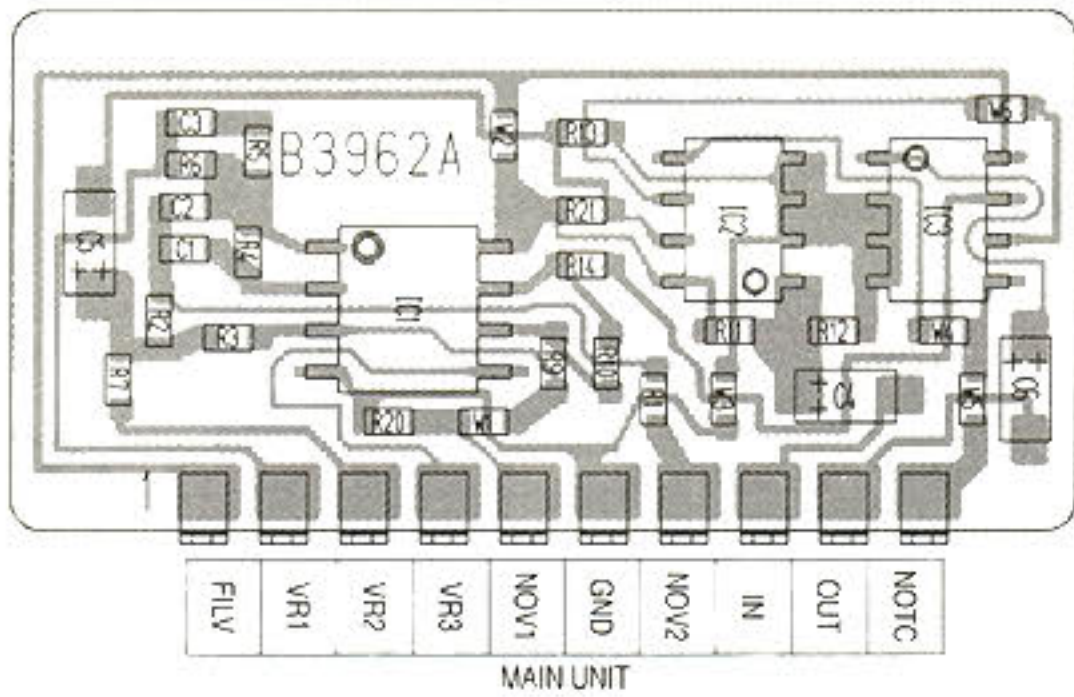
9-4 PLL UNIT

• PLL UNIT (TOP VIEW)





H BOARD (TOP VIEW)



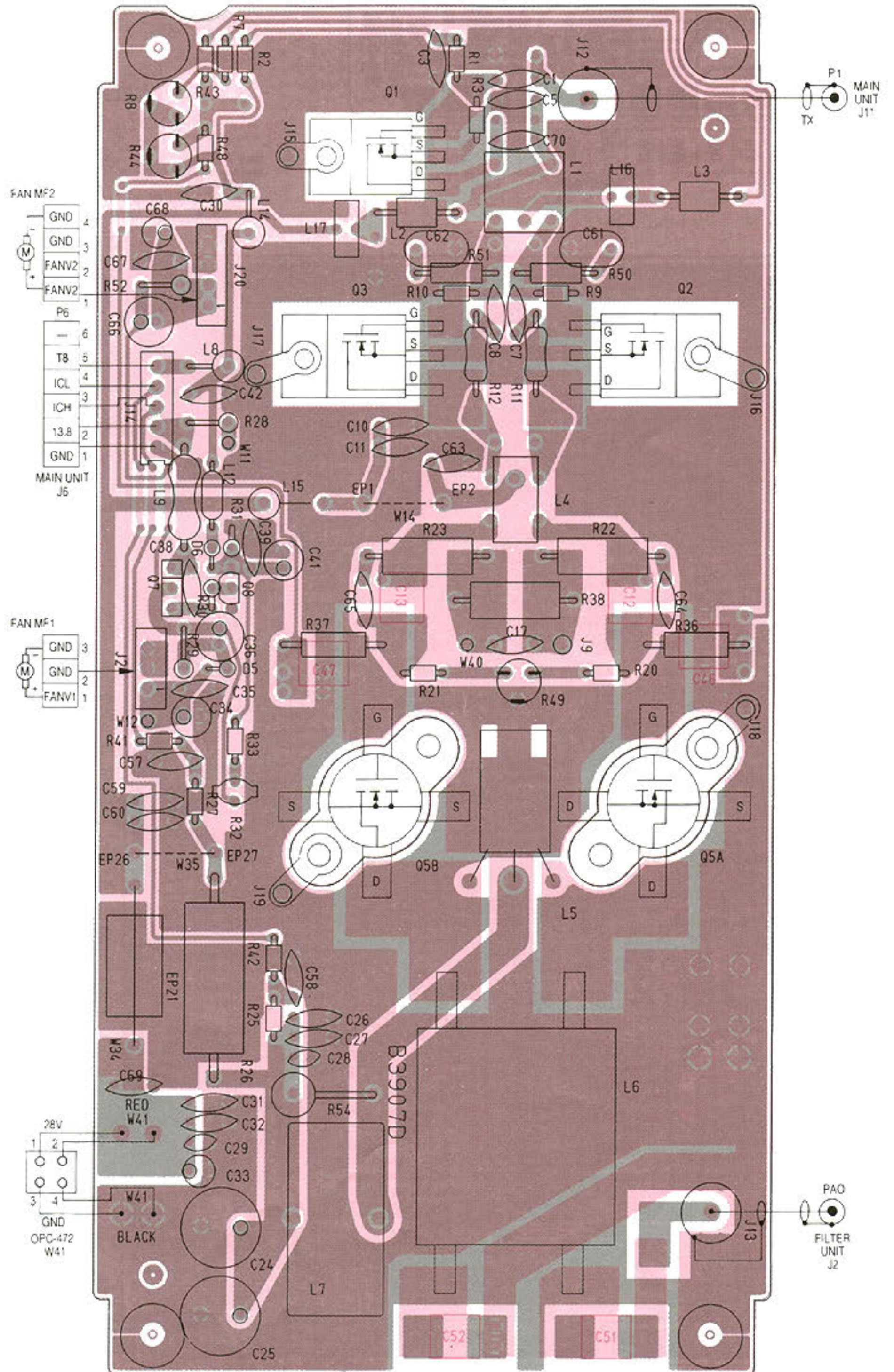
LOGIC UNIT J13

1	13.6	-8	GND	GND	GND	CK	FSTB
2	13.6	-8	GND	GND	GND	DATA	DSTB



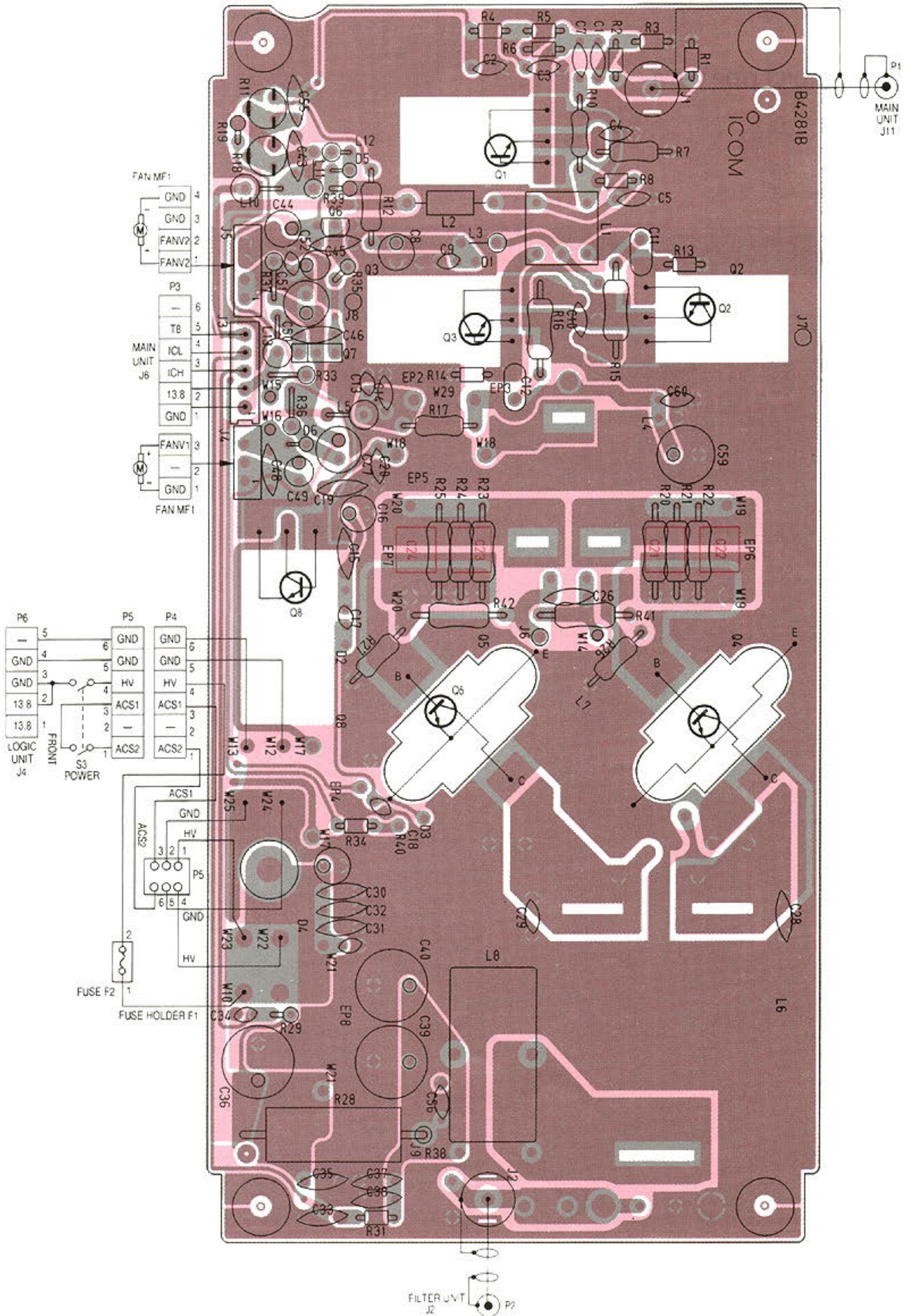
# 9-5 PA UNIT

## • PA UNIT (TOP VIEW) FOR IC-736



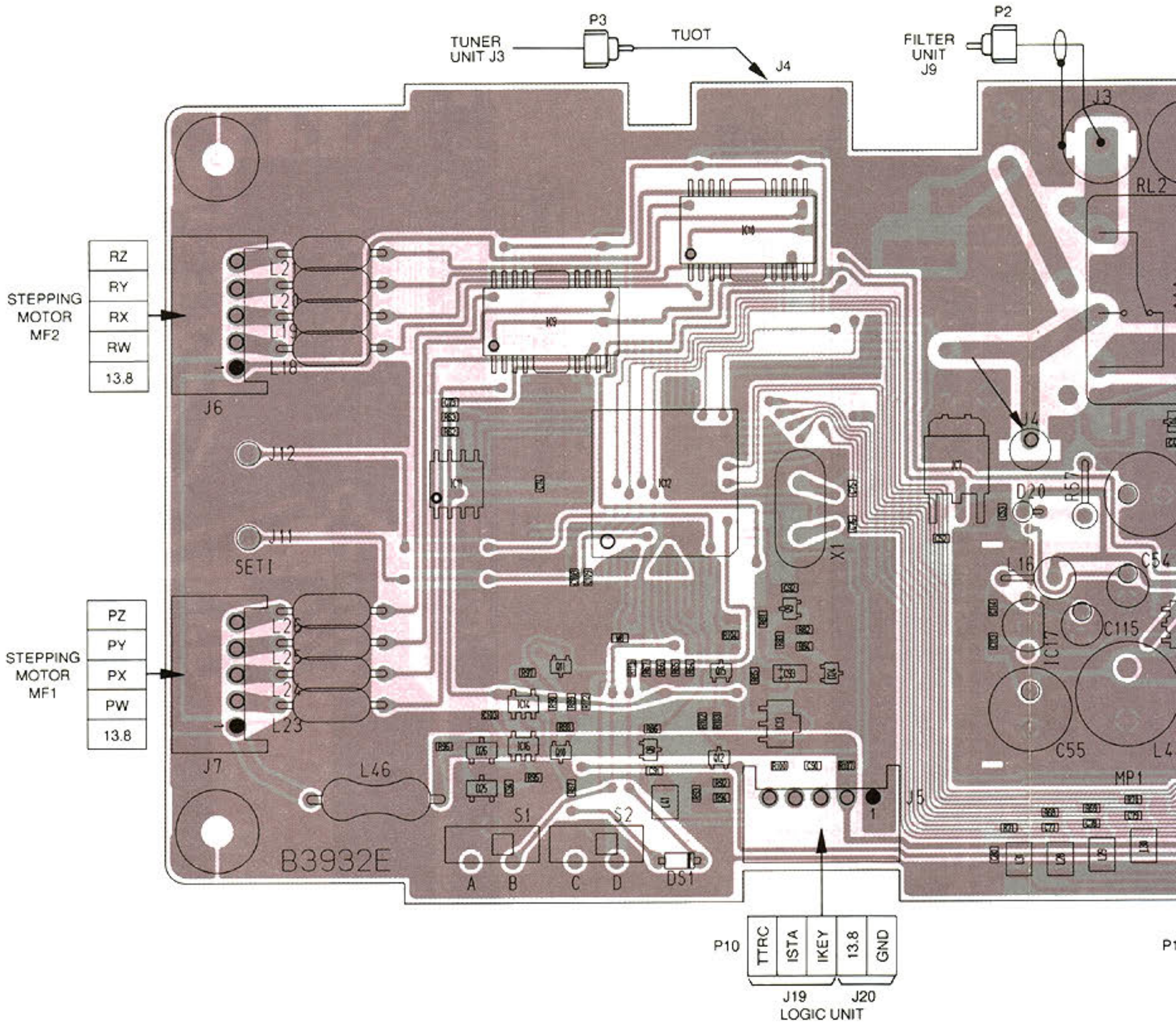


• PA UNIT (TOP VIEW) FOR IC-738

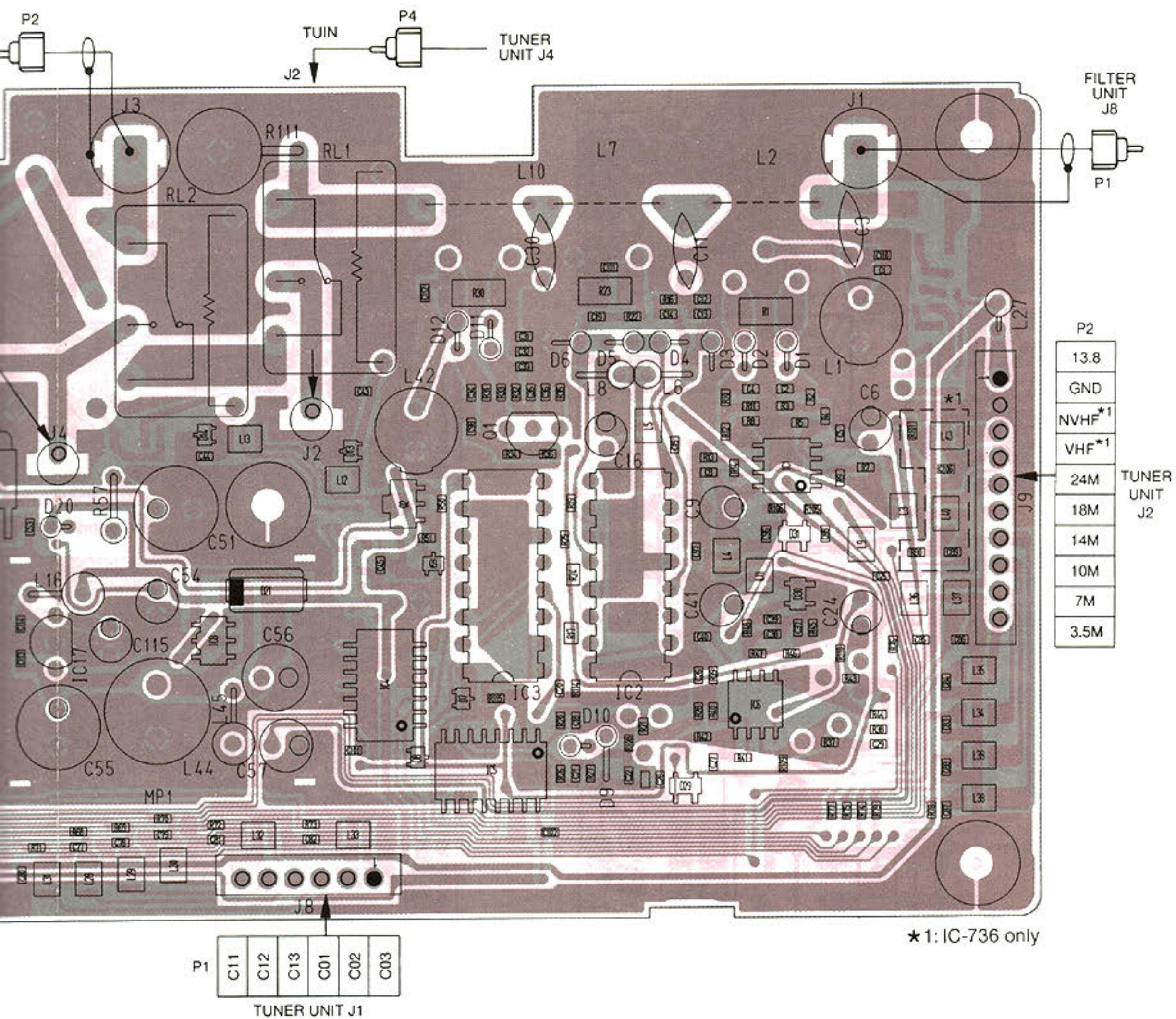




# 9-7 CTRL UNIT



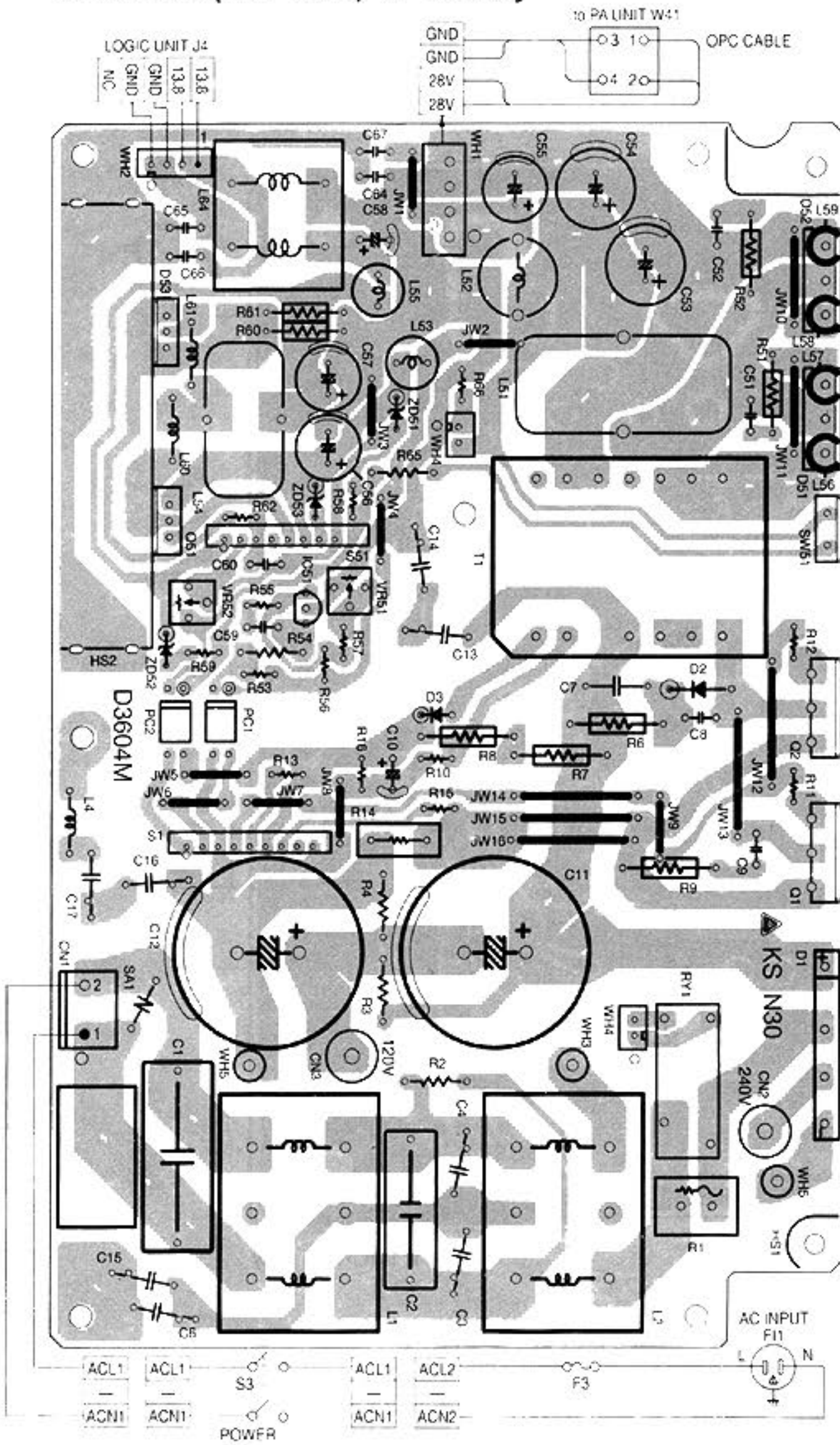




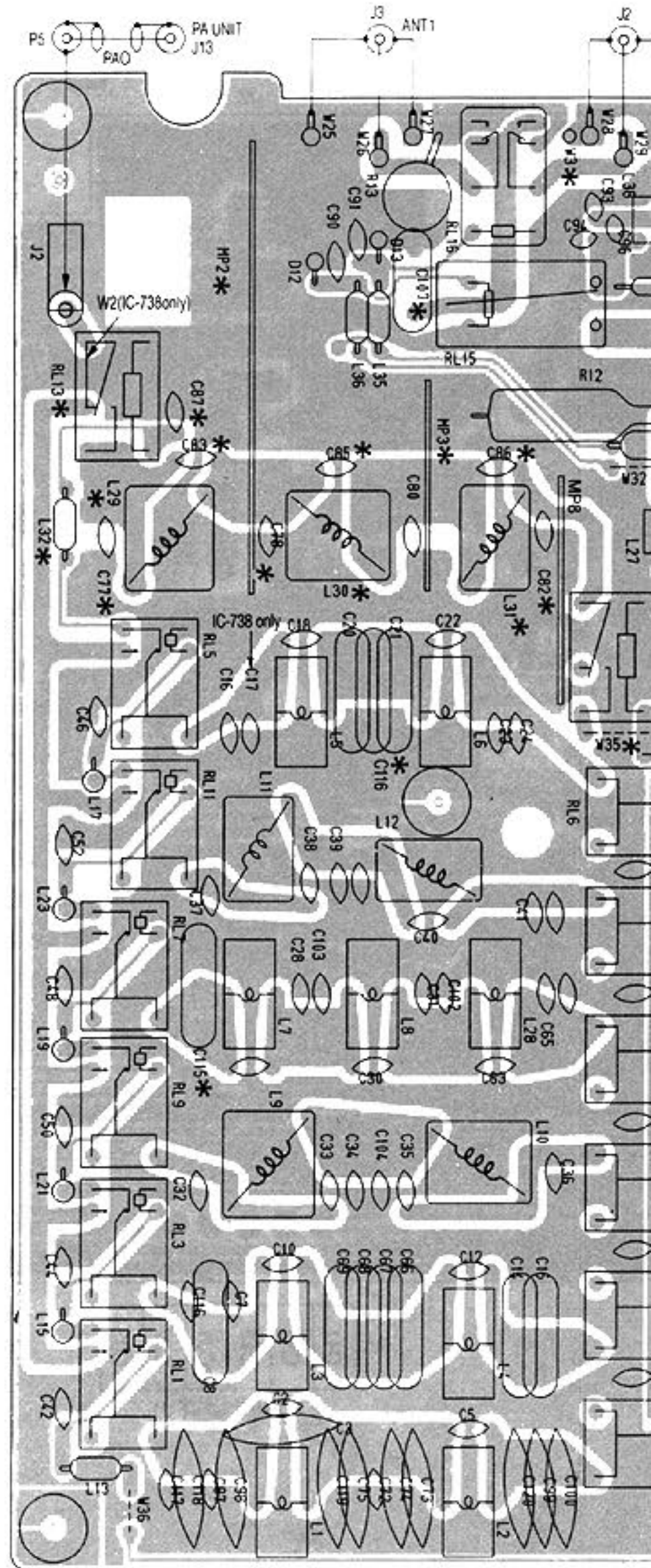


# 9-6 REG UNIT, FILTER UNIT AND TUNER UNIT

## • REG UNIT (TOP VIEW) IC-736 only

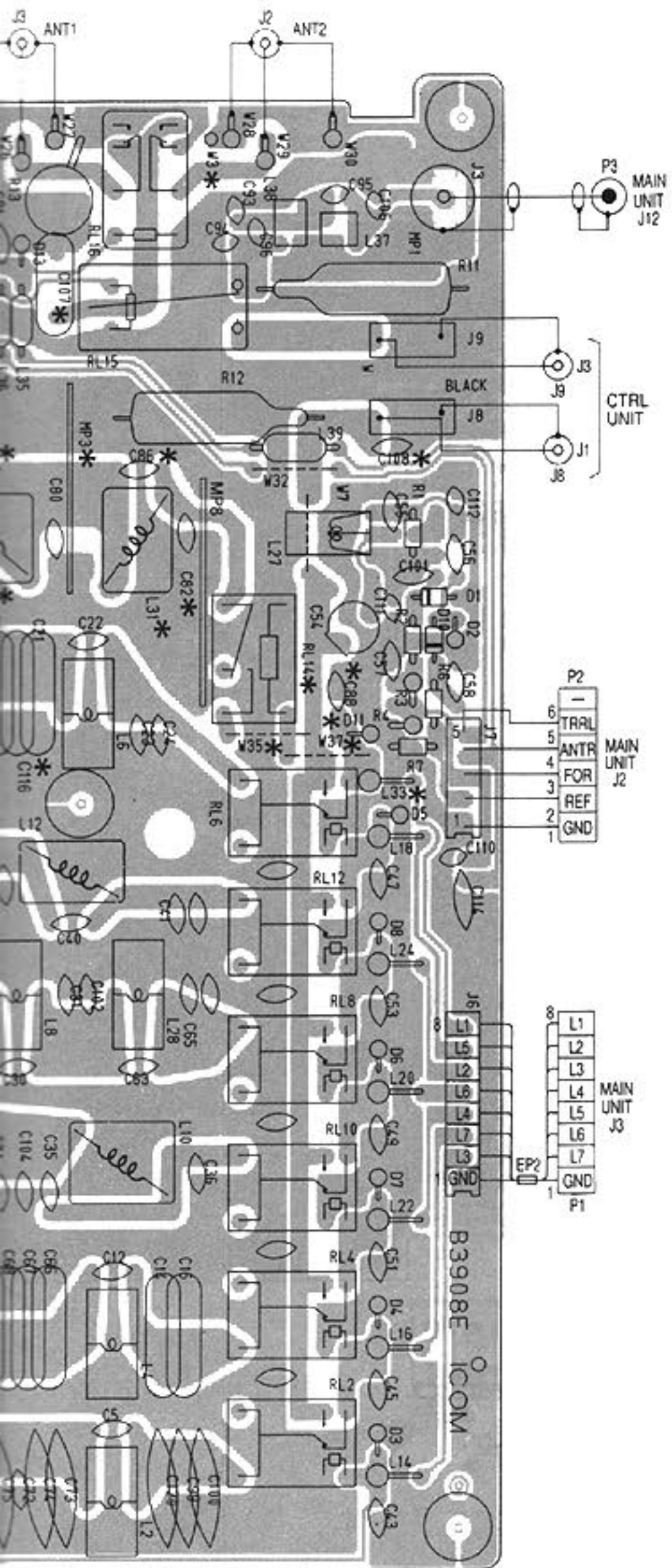


## • FILTER UNIT (TOP VIEW)



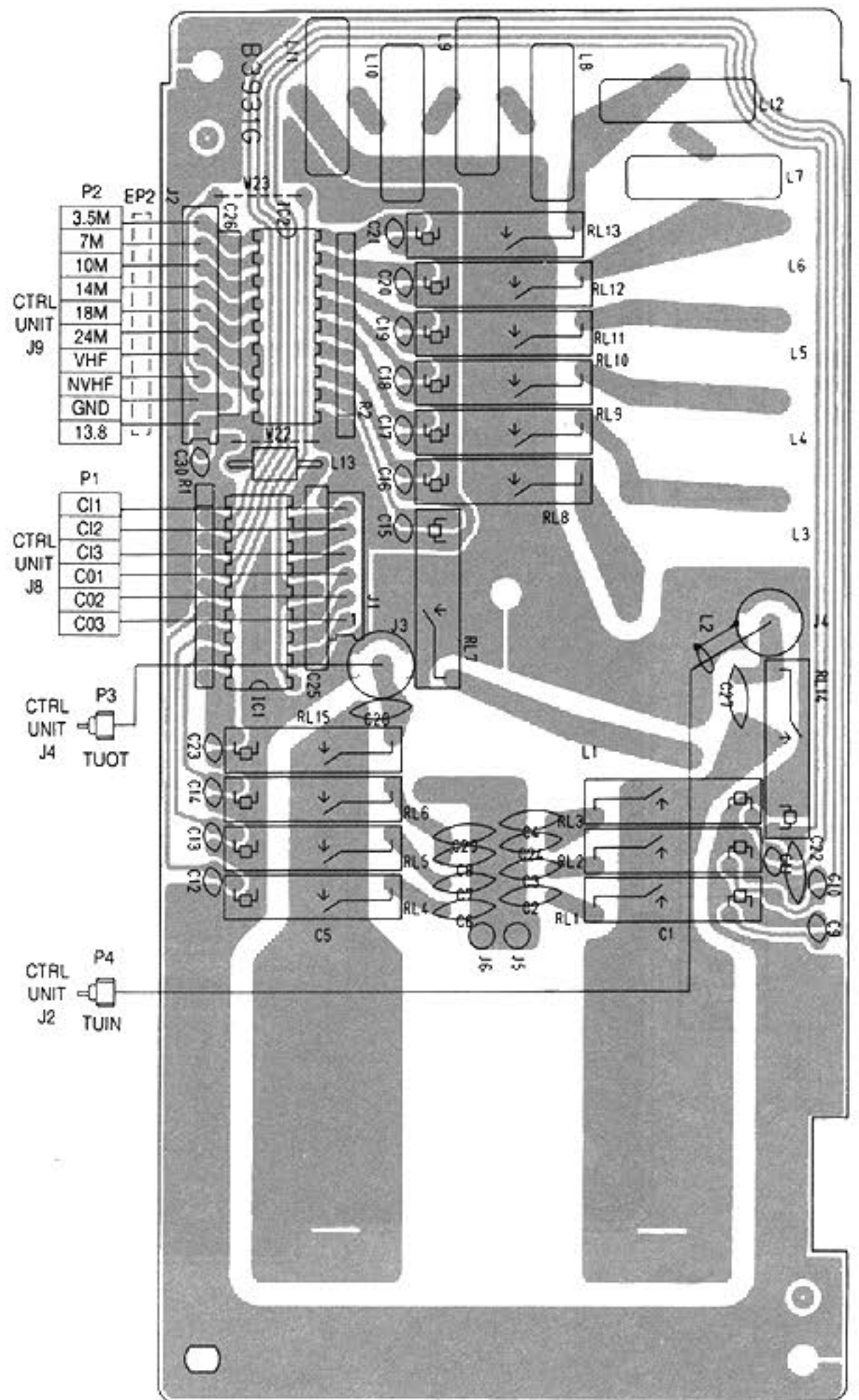


W)



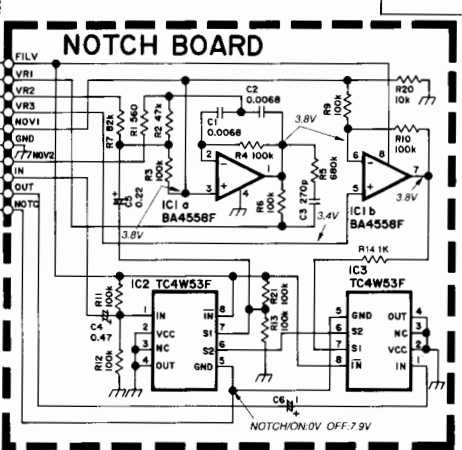
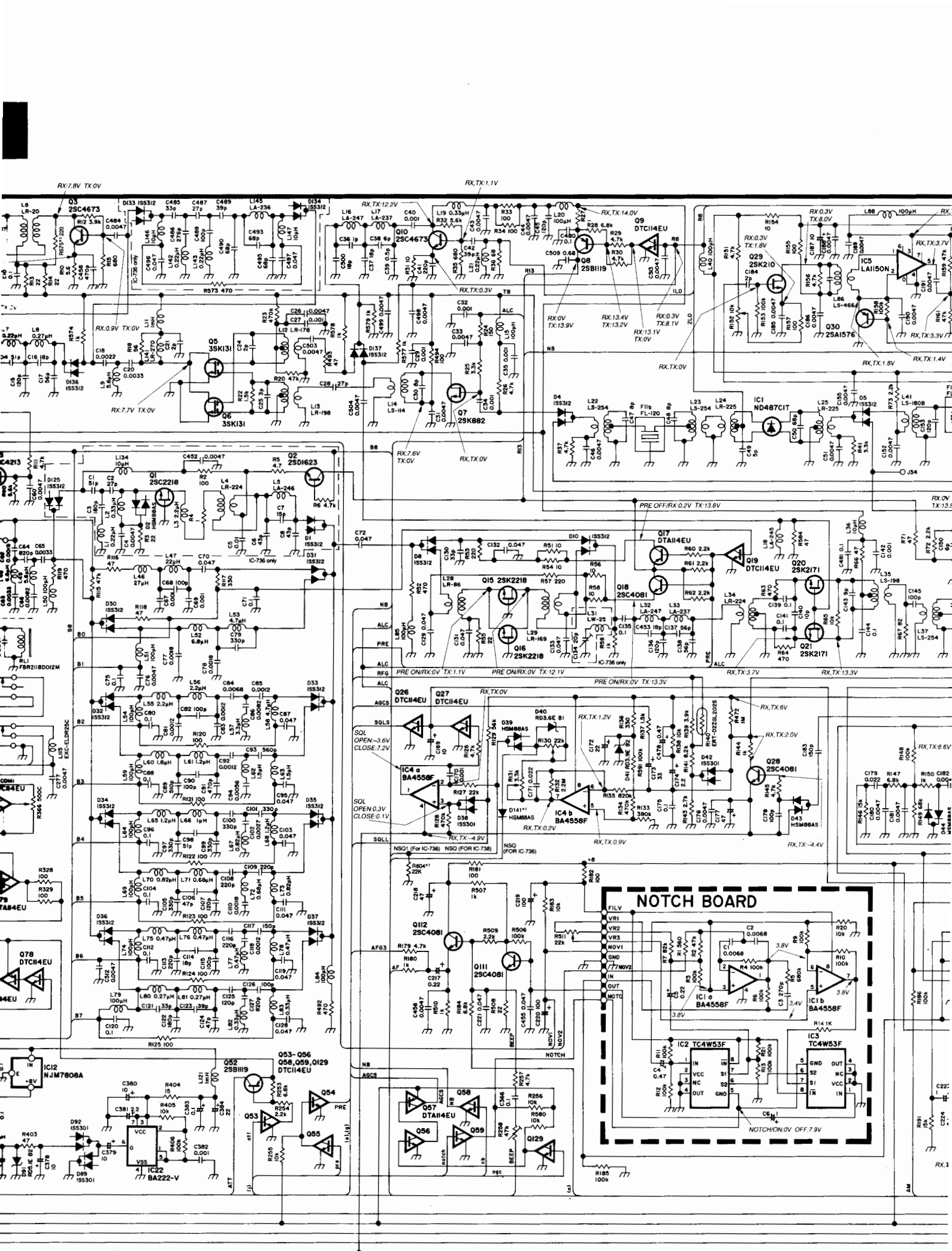
\* = IC.736 only

• TUNER UNIT (TOP VIEW)





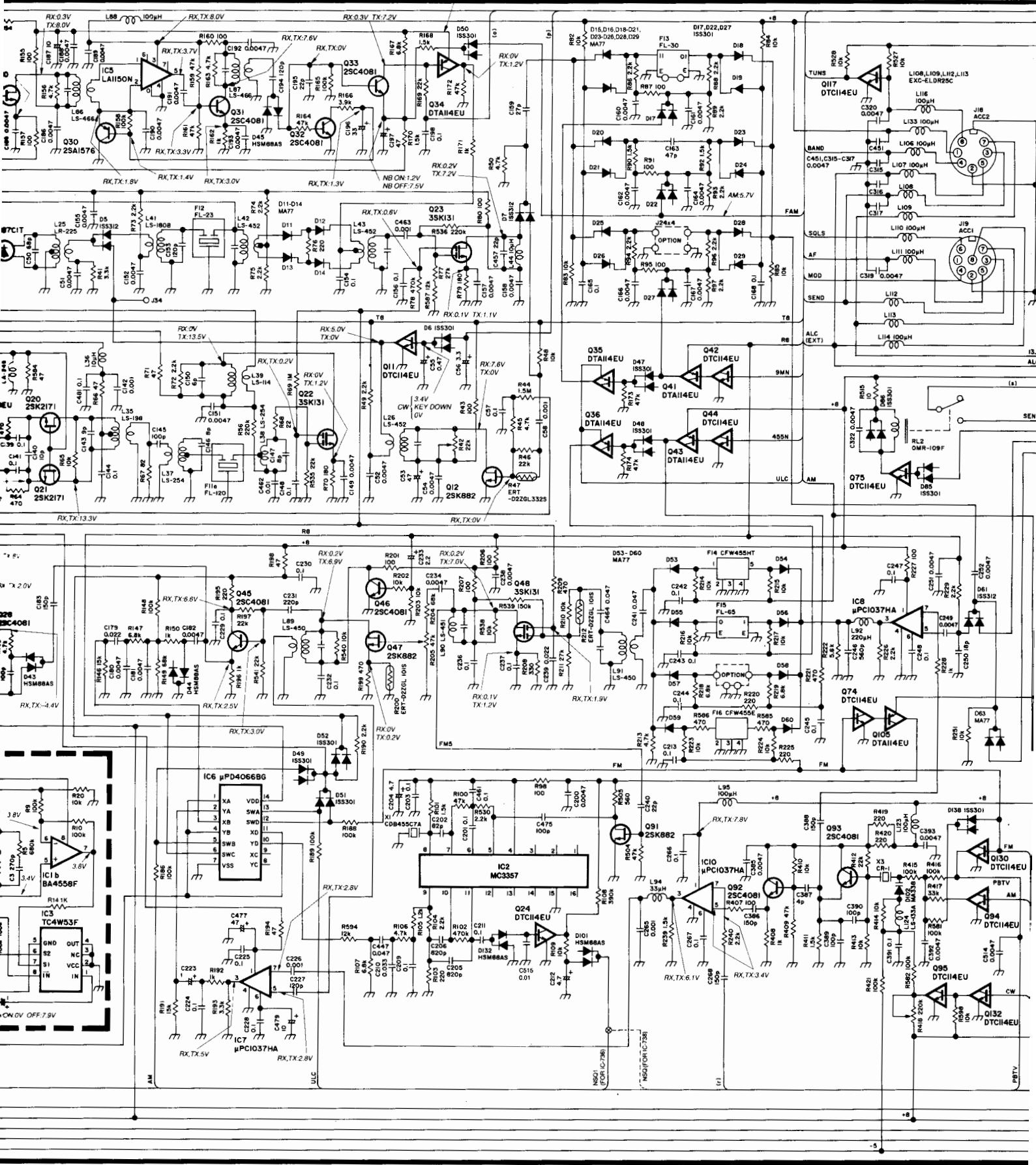






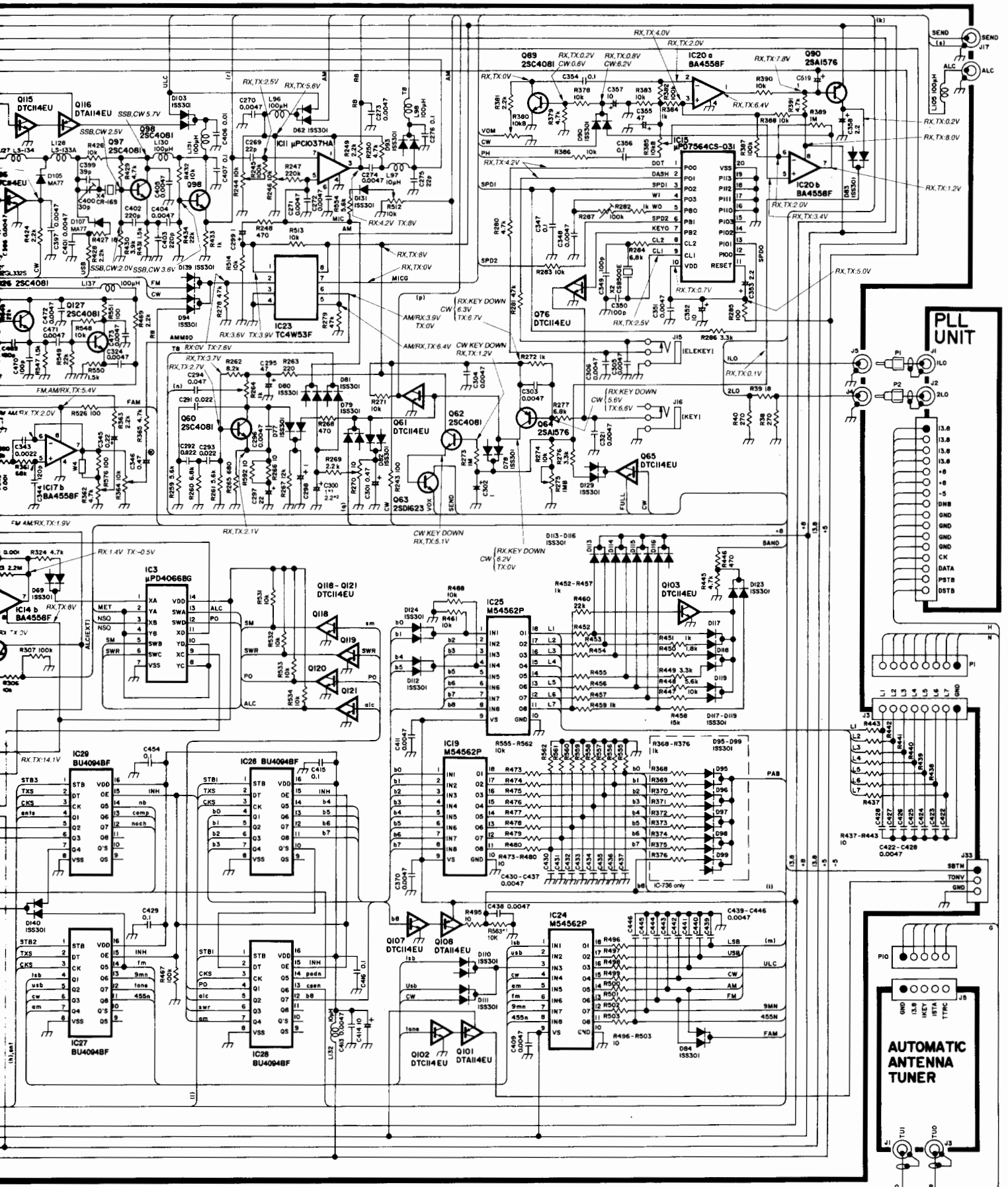
RX:0.3V TX:8.0V

# MAIN UNIT



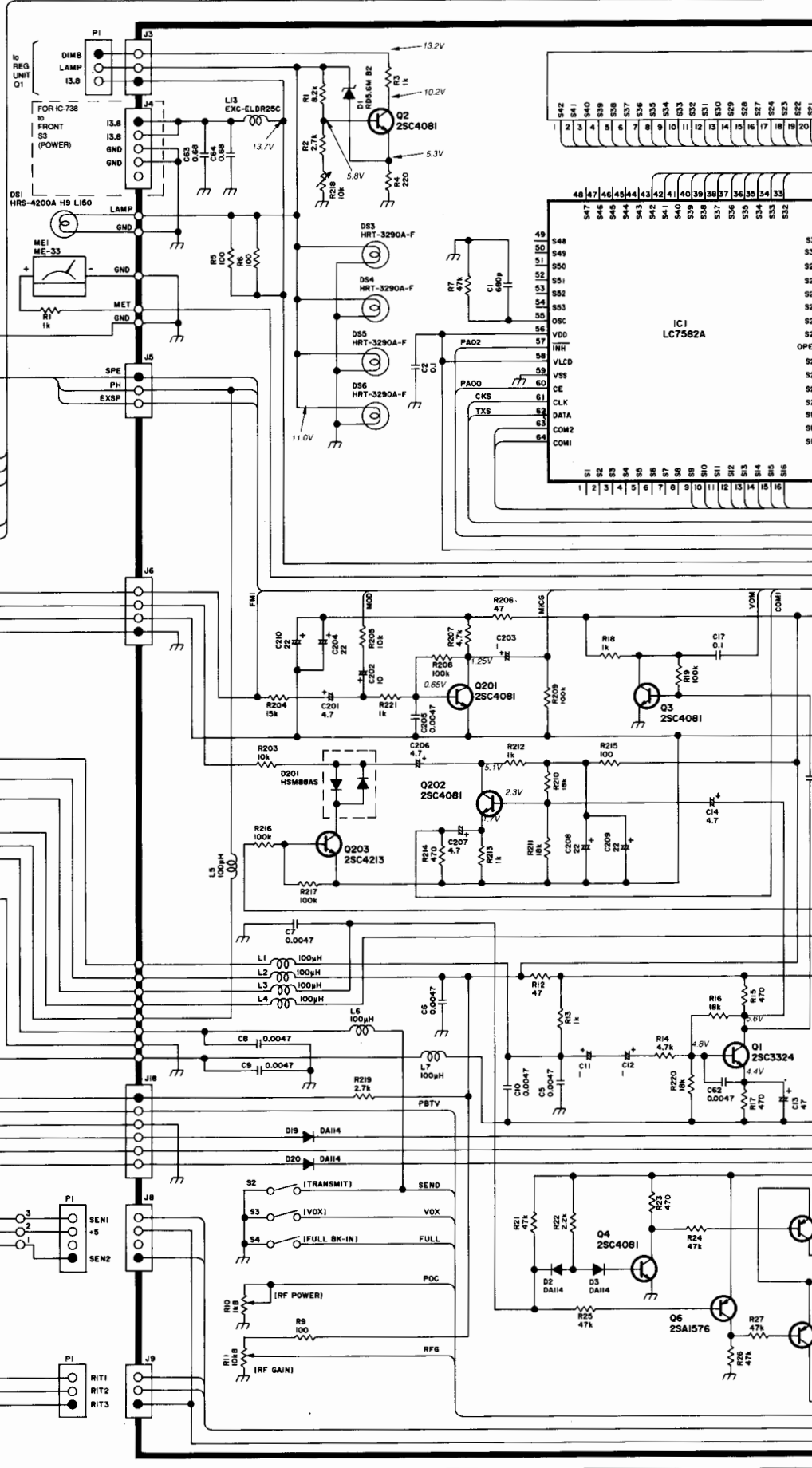
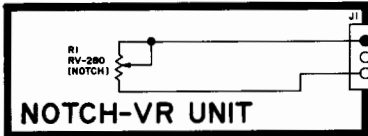
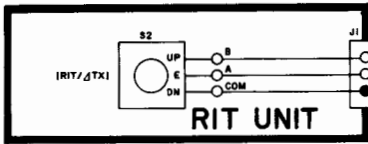
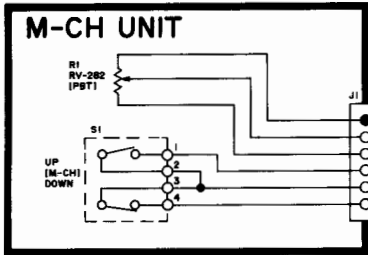
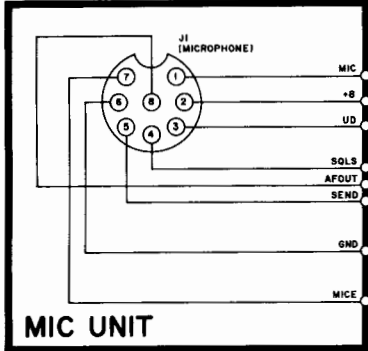
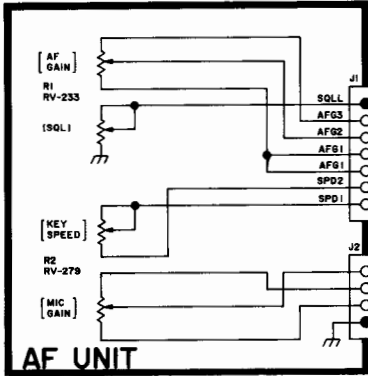
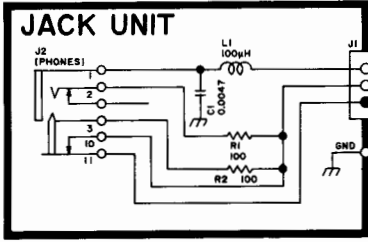
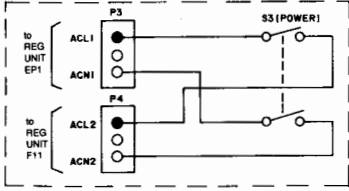






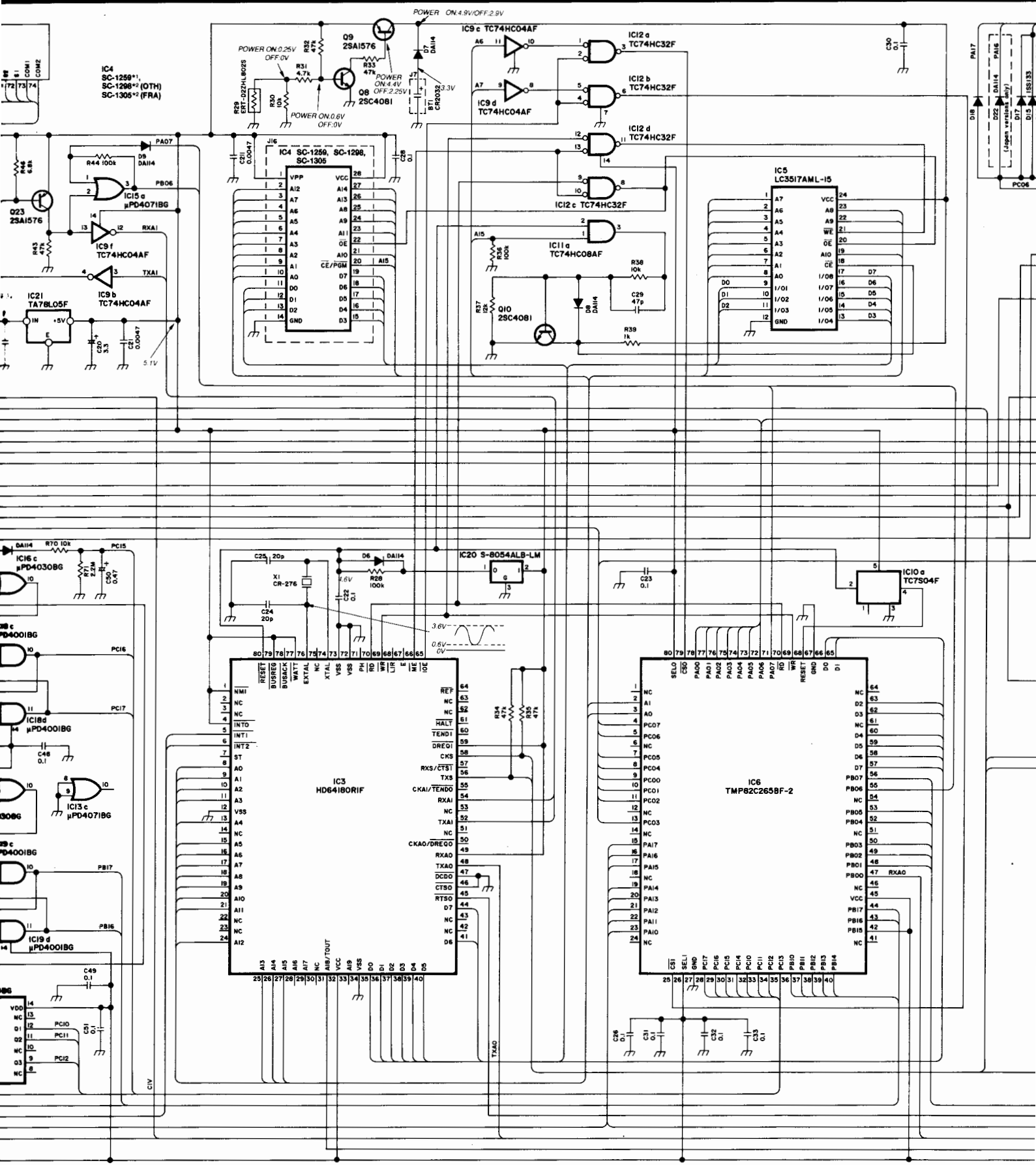
\*1, [ ] IC-736 only

\*2, ⊗ ⊘ IC-738 only









IC4  
SC-1259\*1,  
SC-1298\*2 (OTH)  
SC-1305\*2 (FRA)

POWER ON: 4.9V/OFF: 2.9V

POWER ON: 0.25V  
OFF: 0V

POWER ON: 4.6V  
OFF: 2.25V

POWER ON: 0.6V  
OFF: 0V

Q23  
2SA1576

IC9 c  
TC74HC04AF

IC12 a  
TC74HC32F

IC12 b  
TC74HC32F

IC12 c  
TC74HC32F

IC12 d  
TC74HC32F

IC11 a  
TC74HC08AF

IC5  
LC5517AML-15

PC6

PC7

PC8

PC9

PC10

PC11

PC12

PC13

PC14

PC15

PC16

PC17

PC18

PC19

PC20

PC21

PC22

PC23

PC24

PC25

PC26

PC27

PC28

PC29

PC30

PC31

PC32

PC33

PC34

PC35

PC36

PC37

PC38

PC39

PC40

PC41

PC42

PC43

PC44

PC45

PC46

PC47

PC48

PC49

PC50

PC51

PC52

PC53

PC54

PC55

PC56

PC57

PC58

PC59

PC60

PC61

PC62

PC63

PC64

PC65

PC66

PC67

PC68

PC69

PC70

PC71

PC72

PC73

PC74

PC75

PC76

PC77

PC78

PC79

PC80

PC81

PC82

PC83

PC84

PC85

PC86

PC87

PC88

PC89

PC90

PC91

PC92

PC93

PC94

PC95

PC96

PC97

PC98

PC99

PC100

PC101

PC102

PC103

PC104

PC105

PC106

PC107

PC108

PC109

PC110

PC111

PC112

PC113

PC114

PC115

PC116

PC117

PC118

PC119

PC120

PC121

PC122

PC123

PC124

PC125

PC126

PC127

PC128

PC129

PC130

PC131

PC132

PC133

PC134

PC135

PC136

PC137

PC138

PC139

PC140

PC141

PC142

PC143

PC144

PC145

PC146

PC147

PC148

PC149

PC150

PC151

PC152

PC153

PC154

PC155

PC156

PC157

PC158

PC159

PC160

PC161

PC162

PC163

PC164

PC165

PC166

PC167

PC168

PC169

PC170

PC171

PC172

PC173

PC174

PC175

PC176

PC177

PC178

PC179

PC180

PC181

PC182

PC183

PC184

PC185

PC186

PC187

PC188

PC189

PC190

PC191

PC192

PC193

PC194

PC195

PC196

PC197

PC198

PC199

PC200

PC201

PC202

PC203

PC204

PC205

PC206

PC207

PC208

PC209

PC210

PC211

PC212

PC213

PC214

PC215

PC216

PC217

PC218

PC219

PC220

PC221

PC222

PC223

PC224

PC225

PC226

PC227

PC228

PC229

PC230

PC231

PC232

PC233

PC234

PC235

PC236

PC237

PC238

PC239

PC240

PC241

PC242

PC243

PC244

PC245

PC246

PC247

PC248

PC249

PC250

PC251

PC252

PC253

PC254

PC255

PC256

PC257

PC258

PC259

PC260

PC261

PC262

PC263

PC264

PC265

PC266

PC267

PC268

PC269

PC270

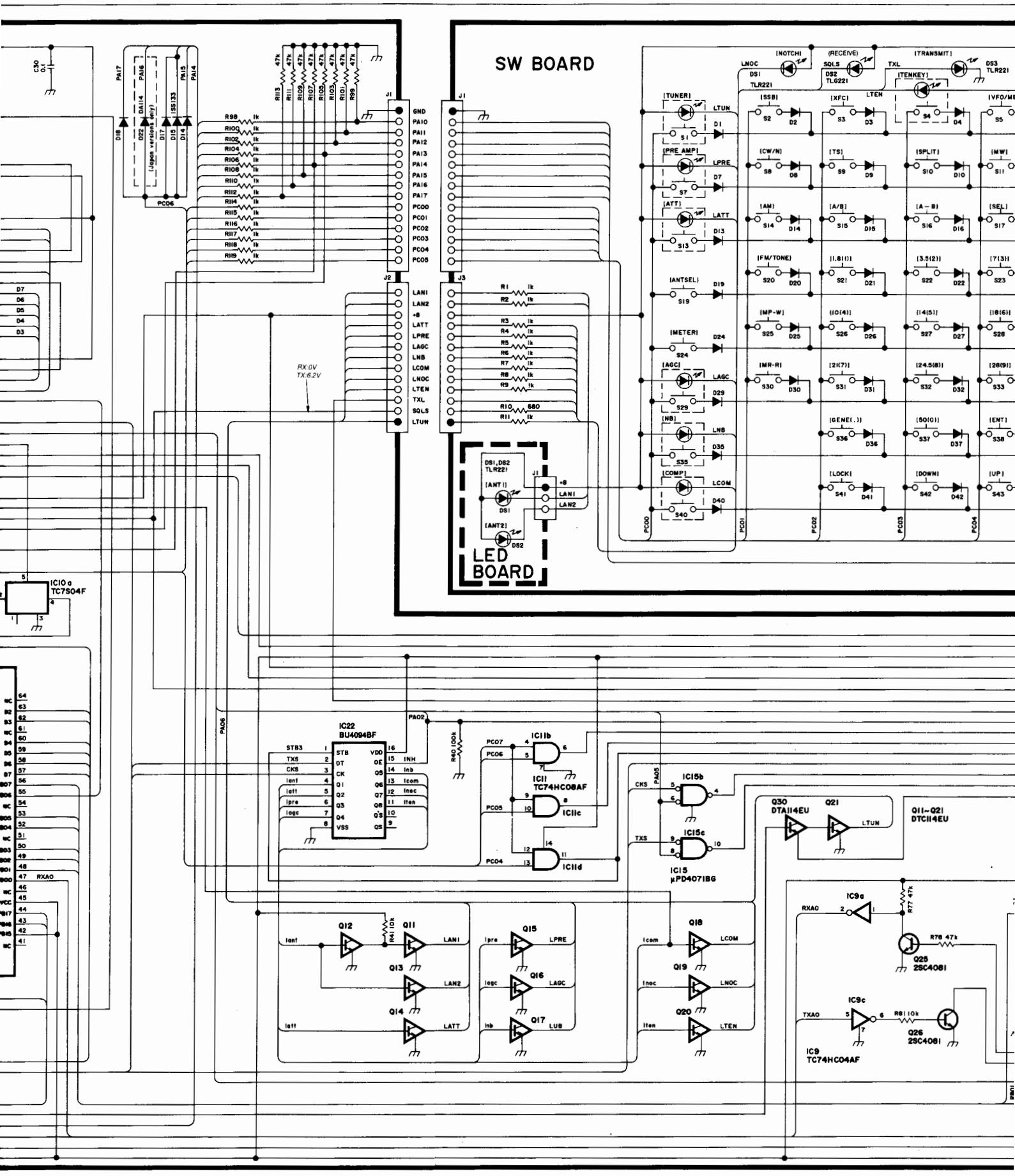
PC271

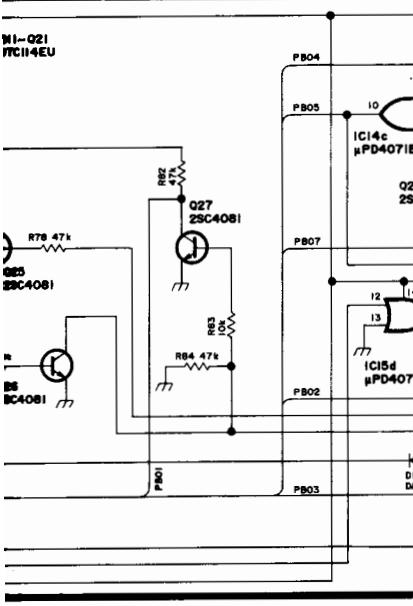
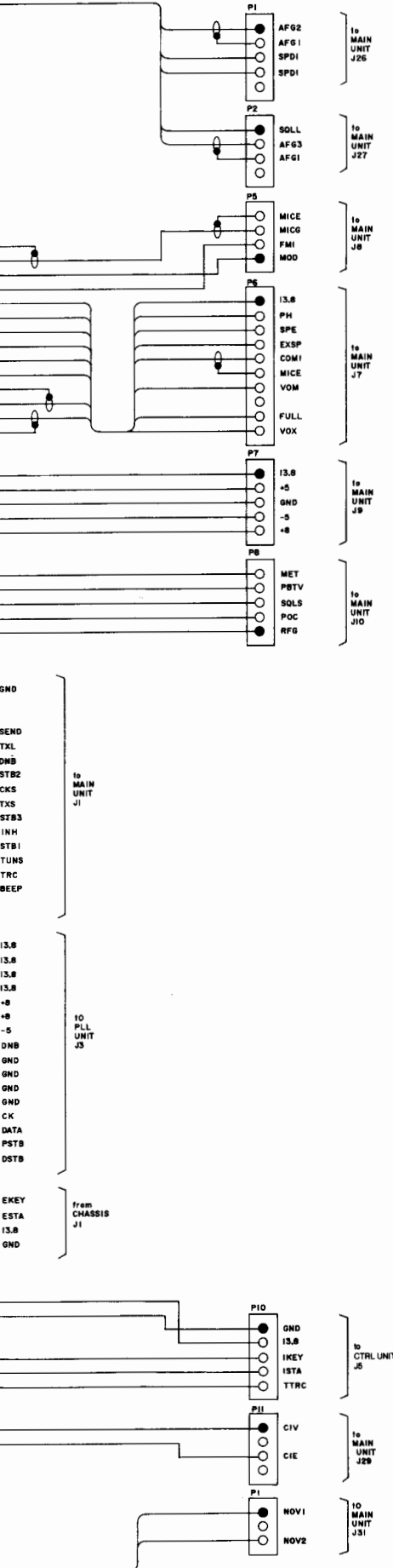
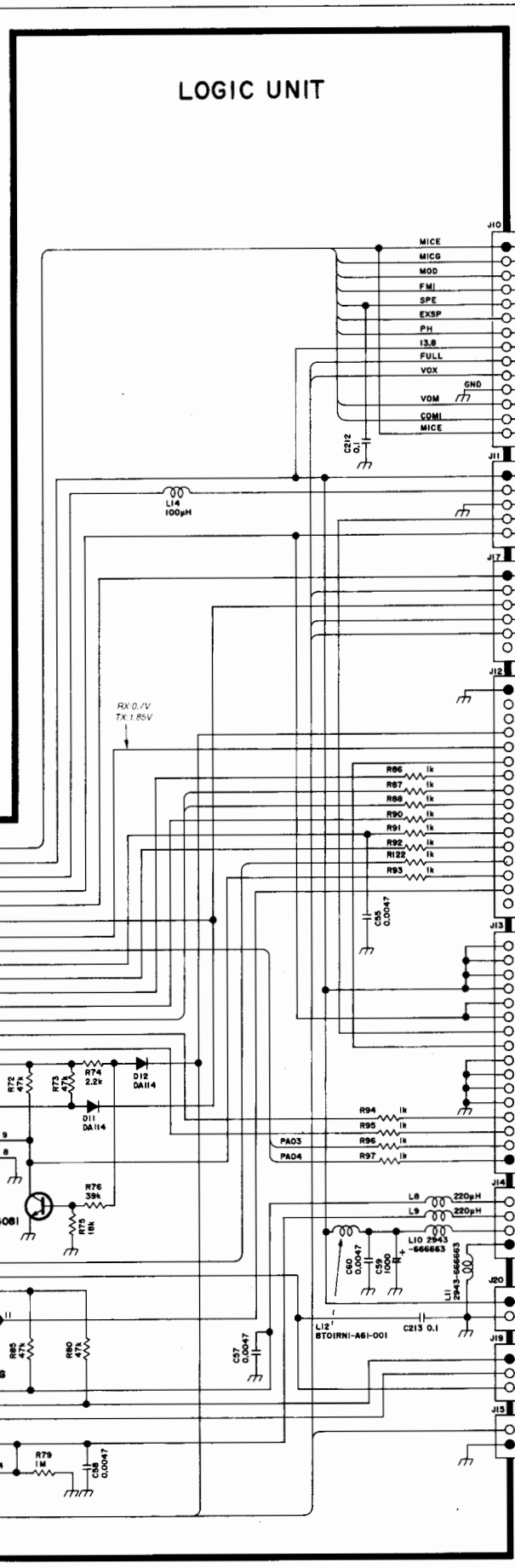
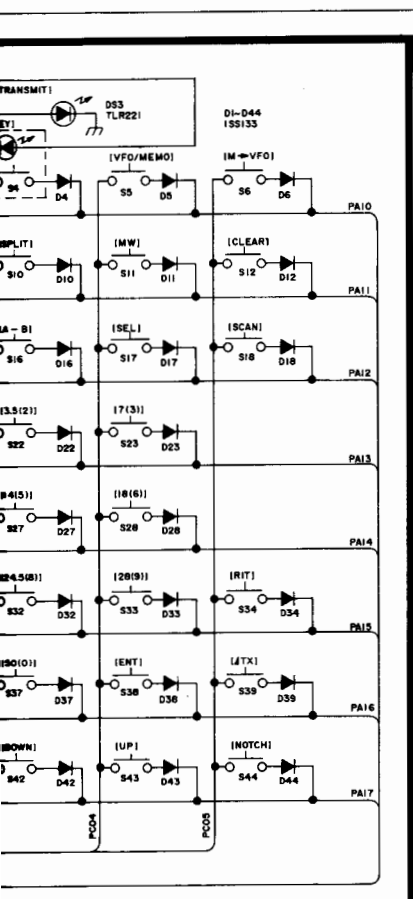
PC272

PC273

PC274



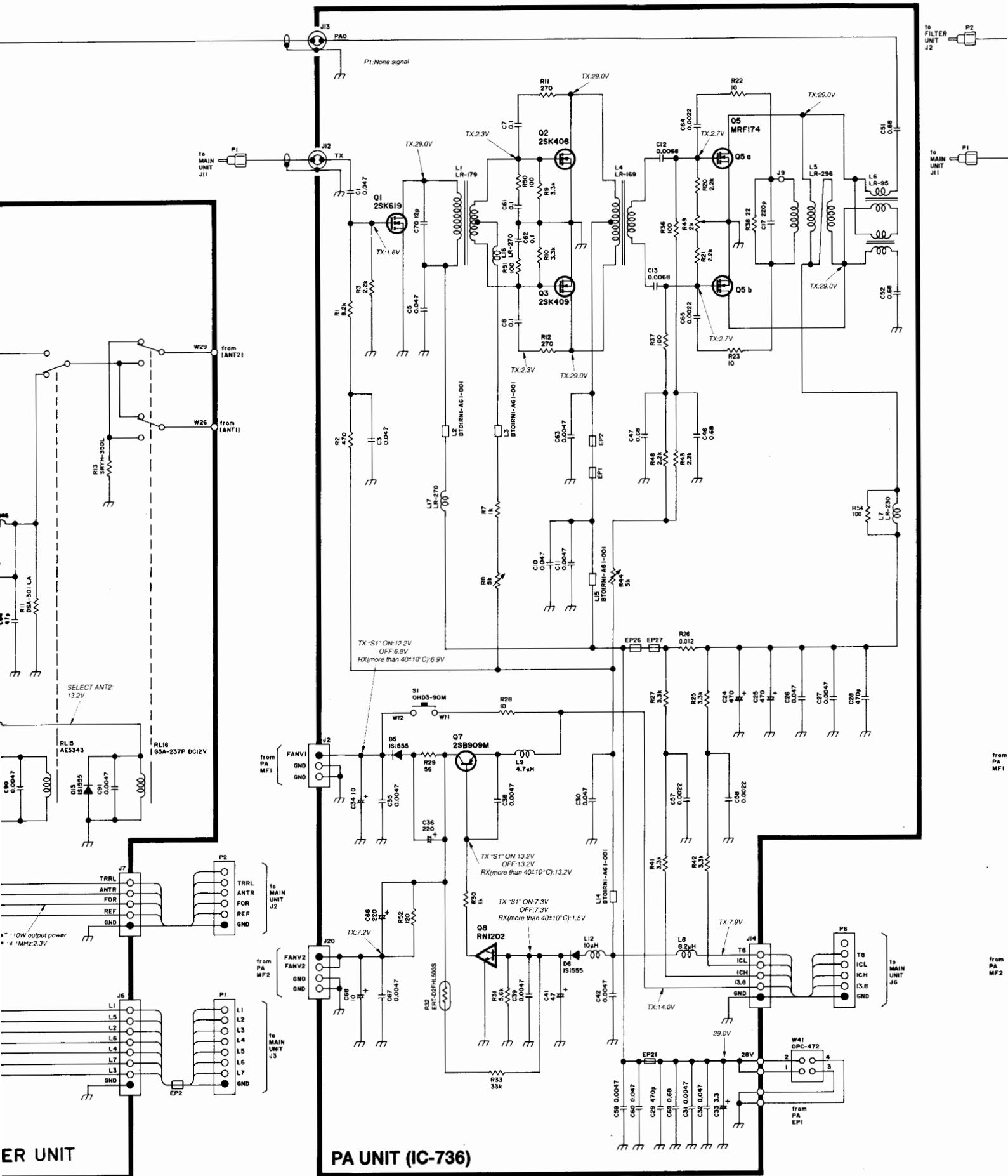




\*1 - - - - IC-736 only  
 \*2 - - - - IC-738 only







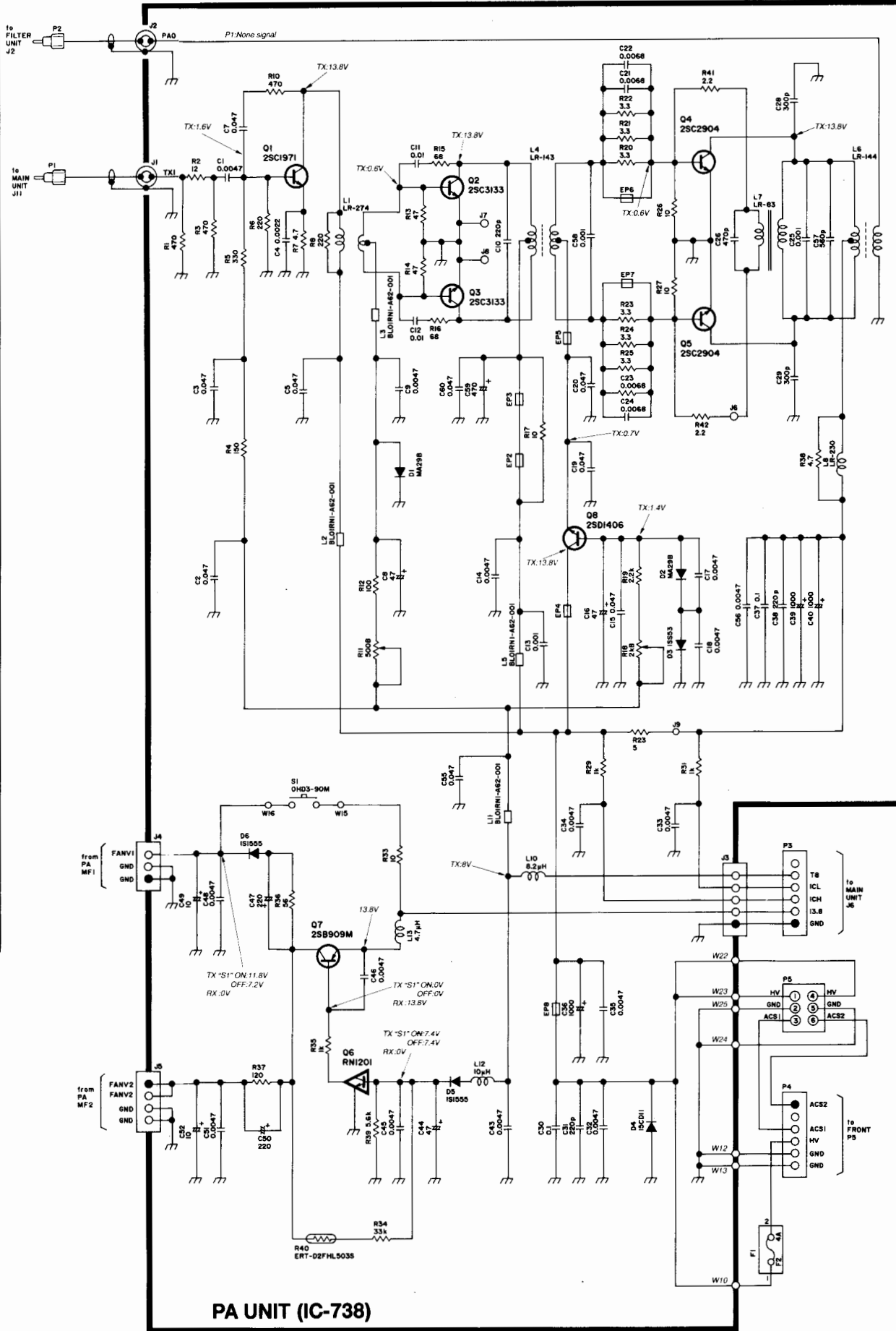
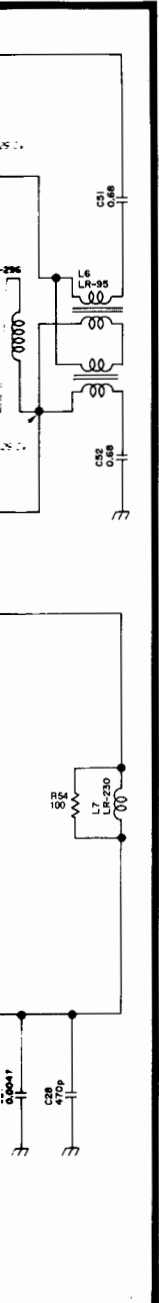
ER UNIT

PA UNIT (IC-736)

- - - IC-736 only  
 - - - IC-738 only

for free by  
RadioAmateur.eu





PA UNIT (IC-738)

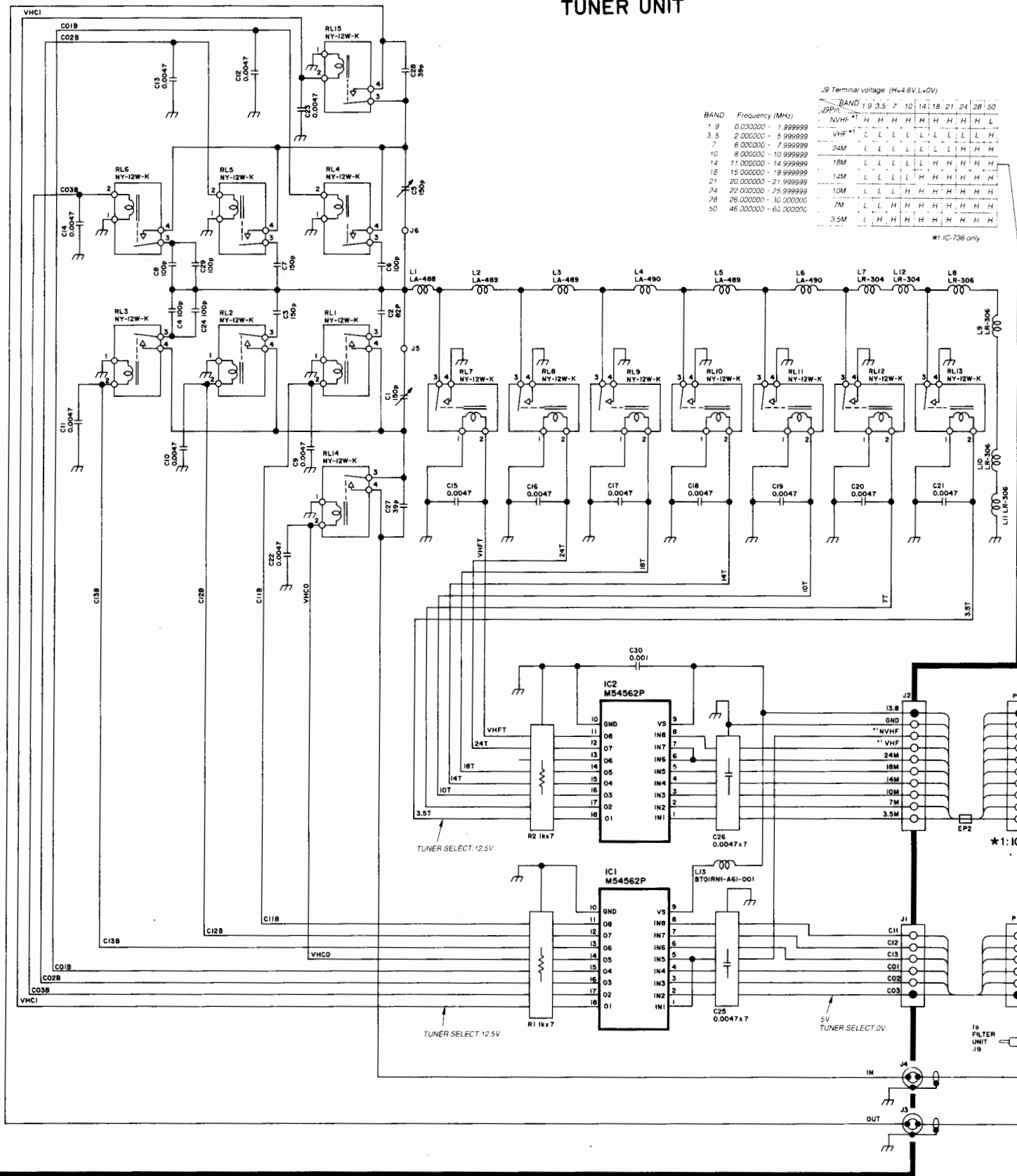
# AUTOMATIC ANTENNA TUNER

## TUNER UNIT

J9 Terminal voltage (H=4.6V, L=0V)

BAND	Frequency (MHz)	1	2	3	4	5	6	7	10	14	18	21	24	28	50
1.9	0.030000 - 1.999999														
3.5	2.000000 - 5.999999														
7	6.000000 - 7.999999														
10	8.000000 - 10.999999														
14	11.000000 - 14.999999														
18	15.000000 - 19.999999														
21	20.000000 - 21.999999														
24	22.000000 - 25.999999														
28	26.000000 - 30.000000														
50	46.000000 - 60.000000														

\* IC-736 only



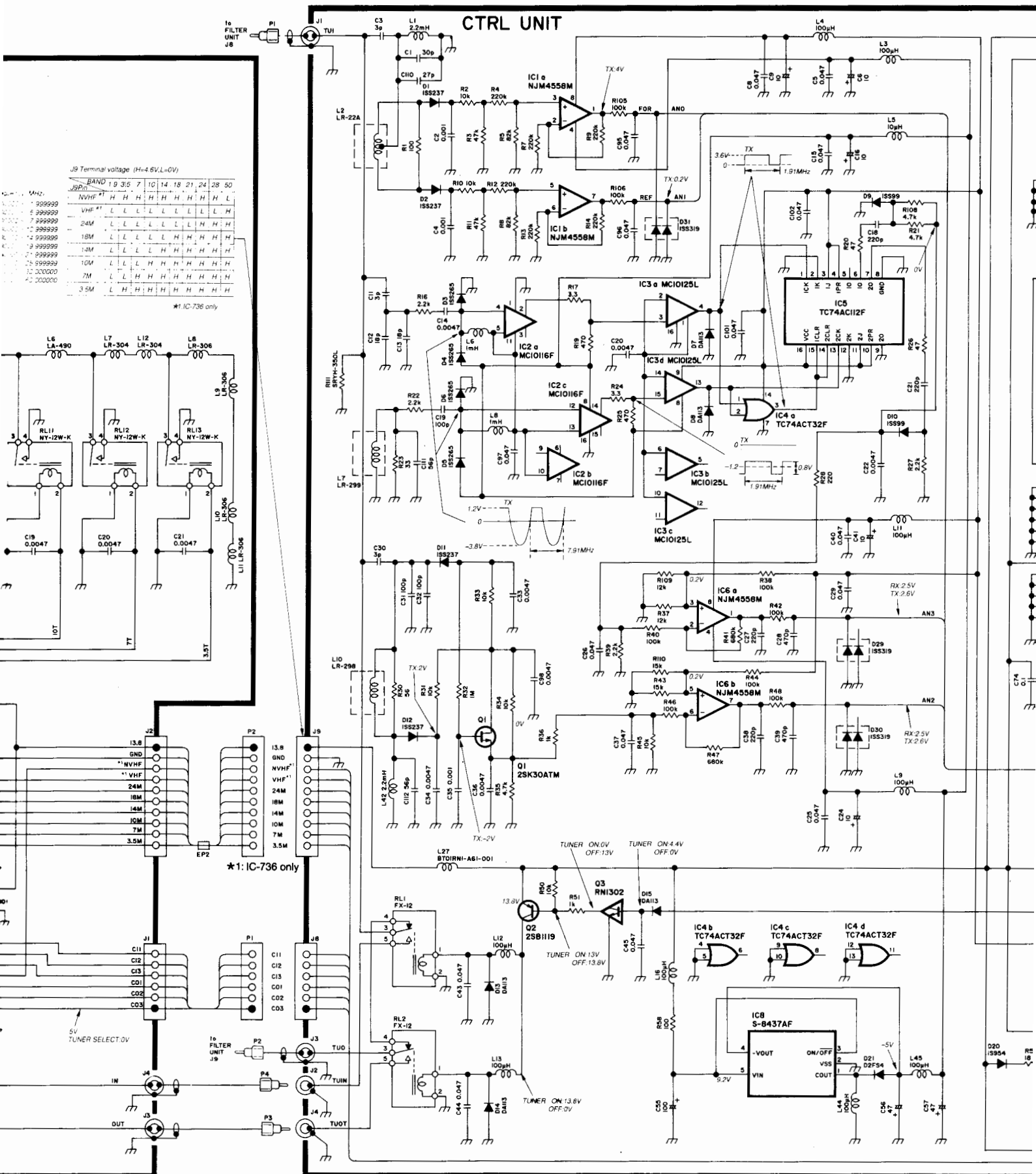


# CTRL UNIT

J9 Terminal voltage (H=4.5V, L=0V)

BAND	1	9	3	5	7	10	14	18	21	24	28	50
NVHF	H	H	H	H	H	H	H	H	H	H	H	L
VHF	L	L	L	L	L	L	L	L	L	L	L	H
24M	L	L	L	L	L	L	L	L	L	L	L	H
18M	L	L	L	L	L	L	L	L	L	L	L	H
14M	L	L	L	L	L	L	L	L	L	L	L	H
10M	L	L	L	L	L	L	L	L	L	L	L	H
7M	L	L	L	L	L	L	L	L	L	L	L	H
3.5M	L	L	L	L	L	L	L	L	L	L	L	H

\*1: IC-736 only

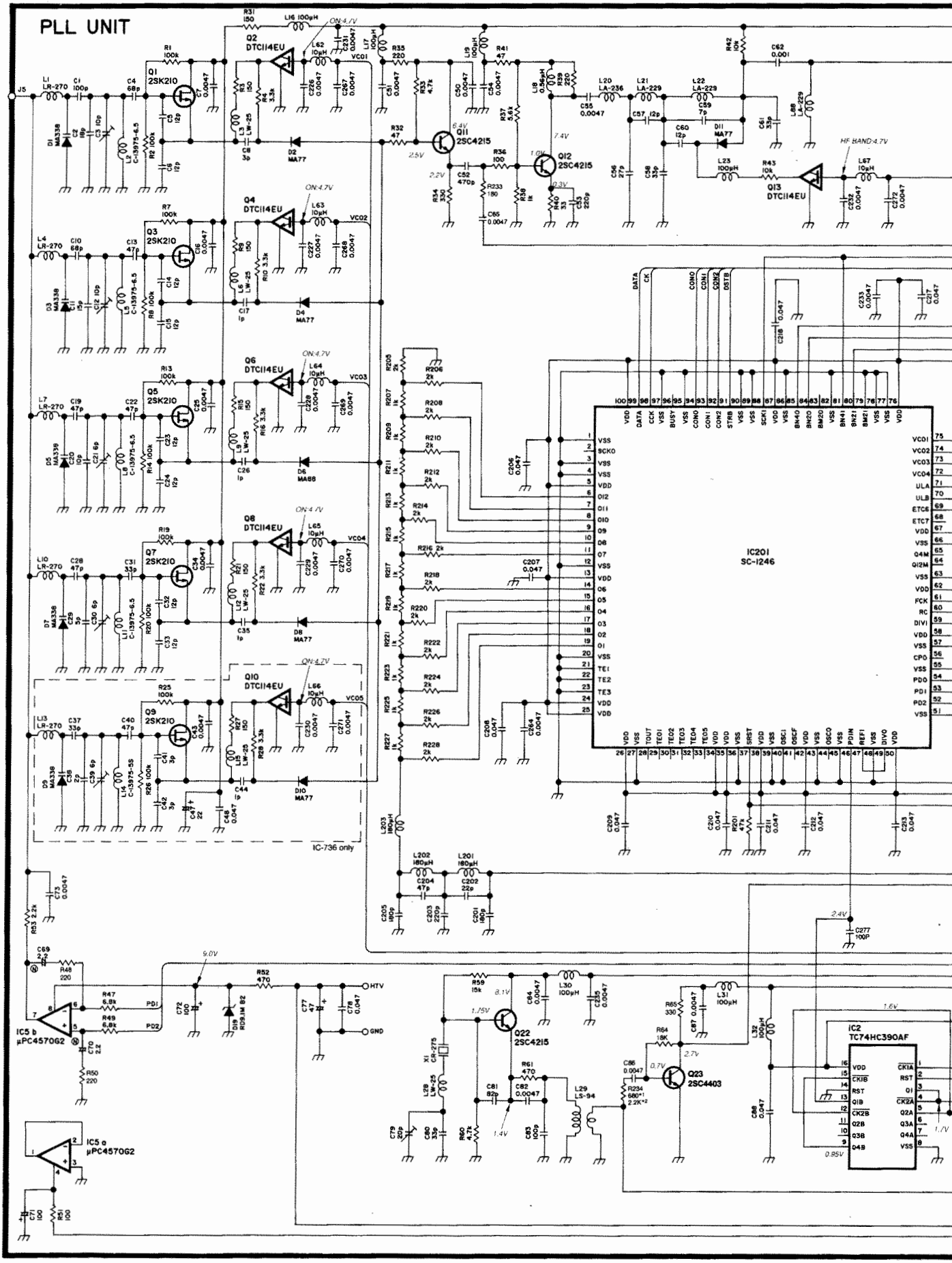


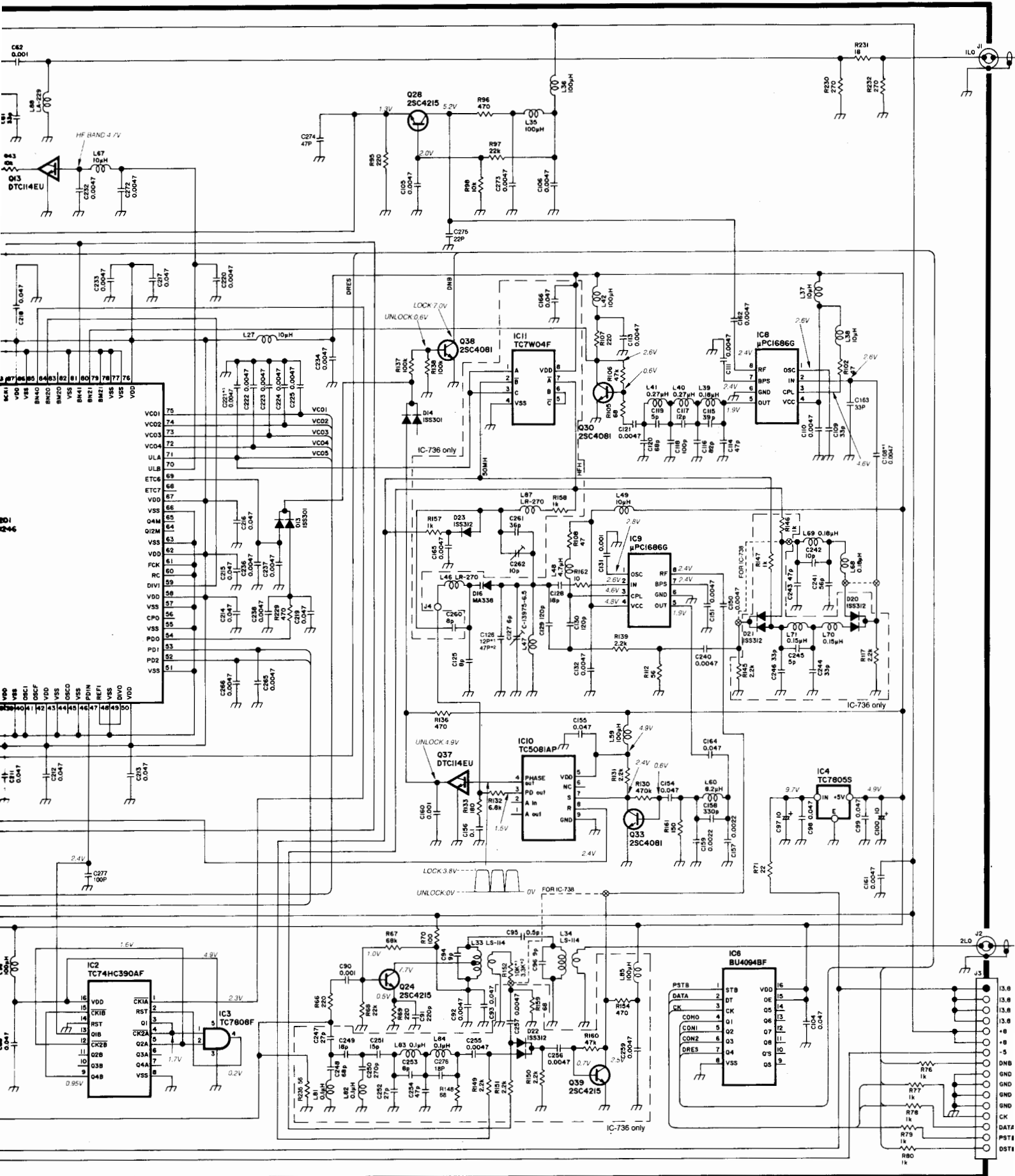
\*1: IC-736 only





# PLL UNIT

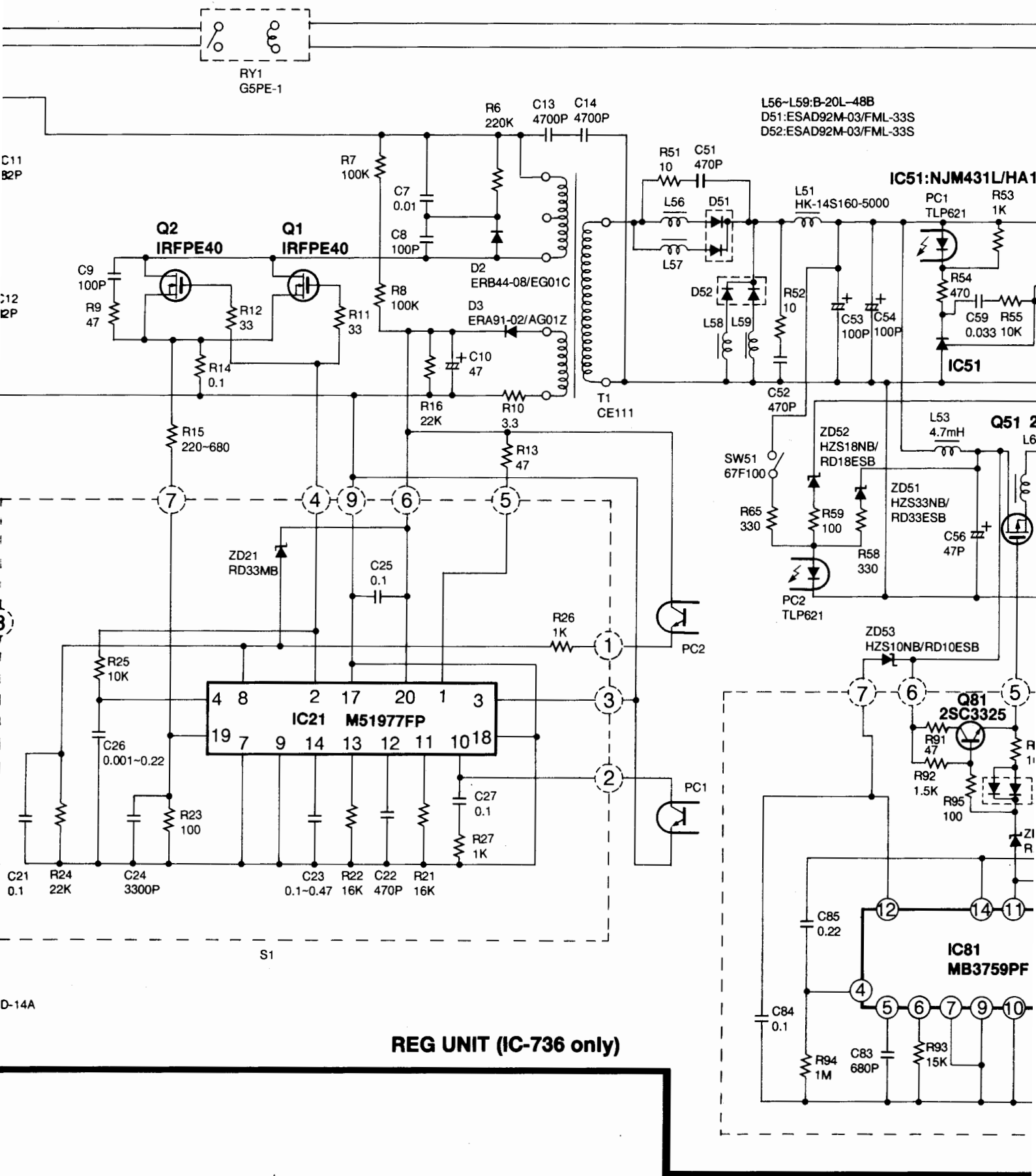




- \*1, [ ] IC-736 only
- \*2, ⊗ IC-738 only

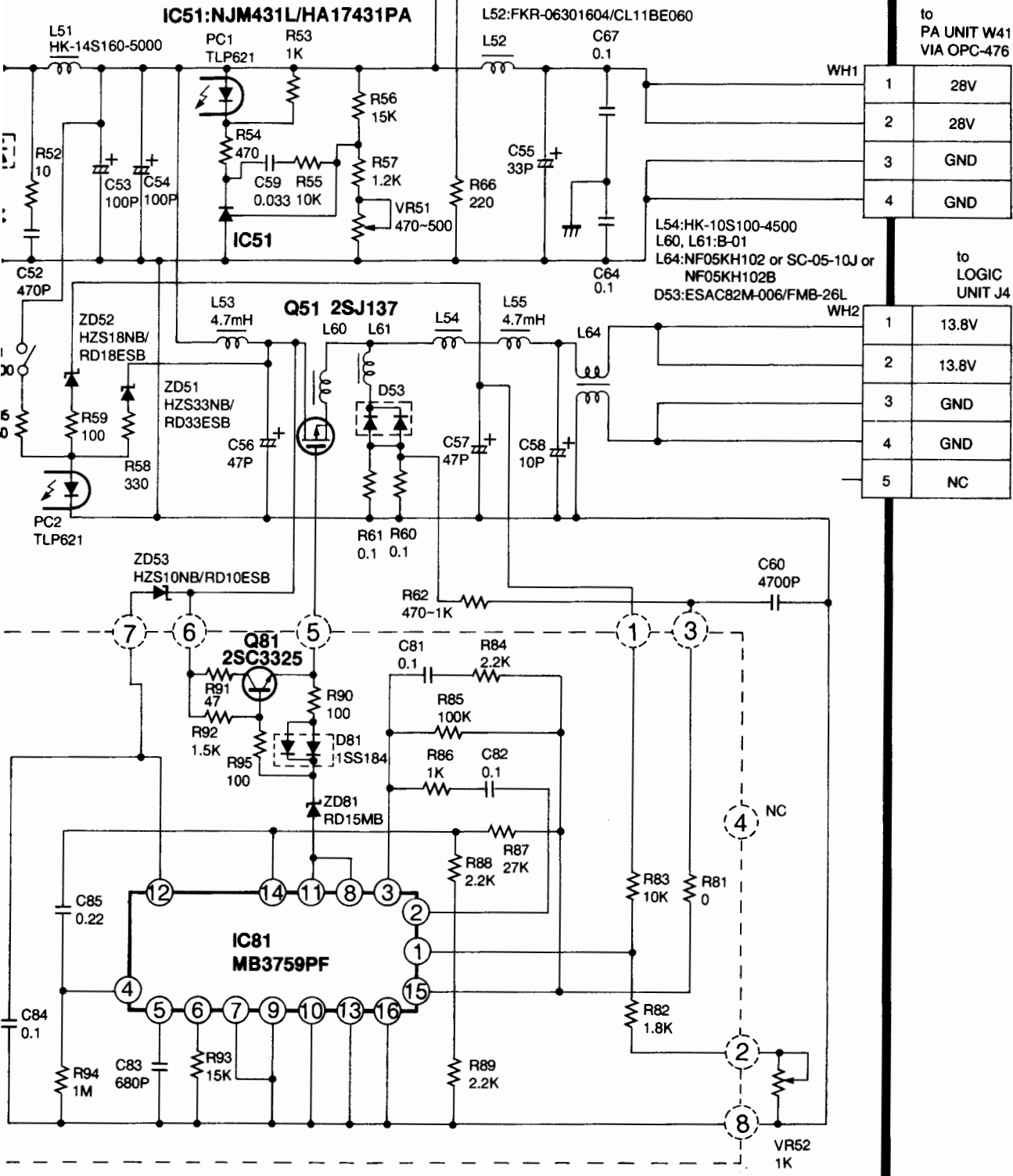




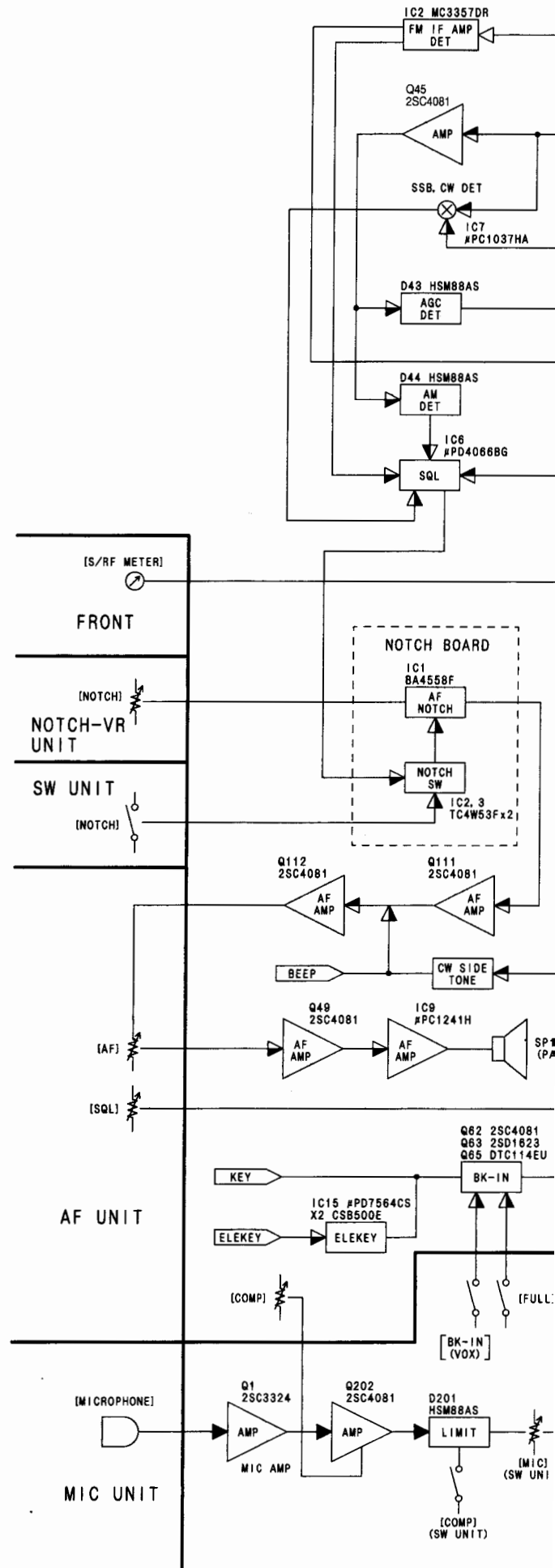




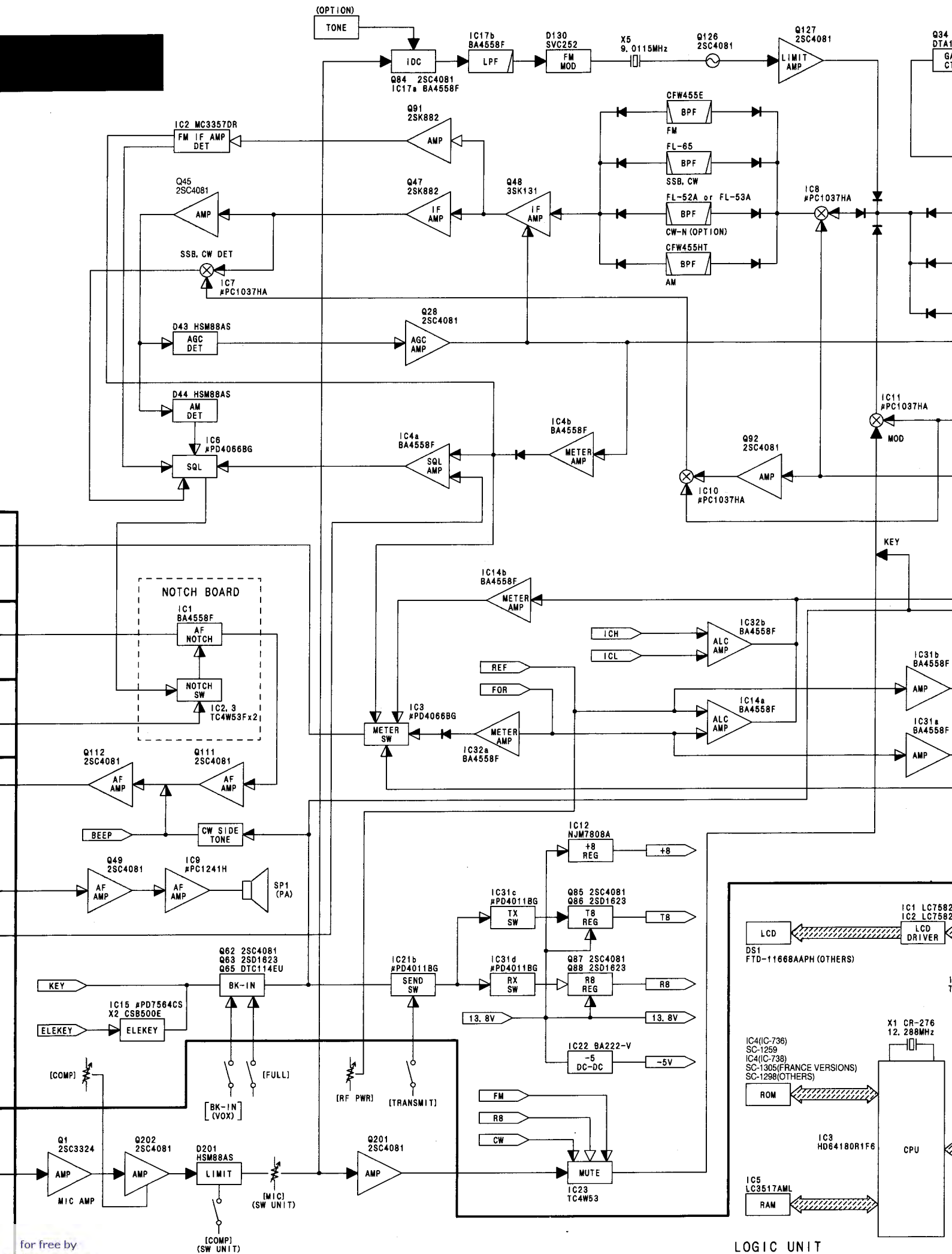
L56-L59:B-20L-48B  
 D51:ESAD92M-03/FML-33S  
 D52:ESAD92M-03/FML-33S

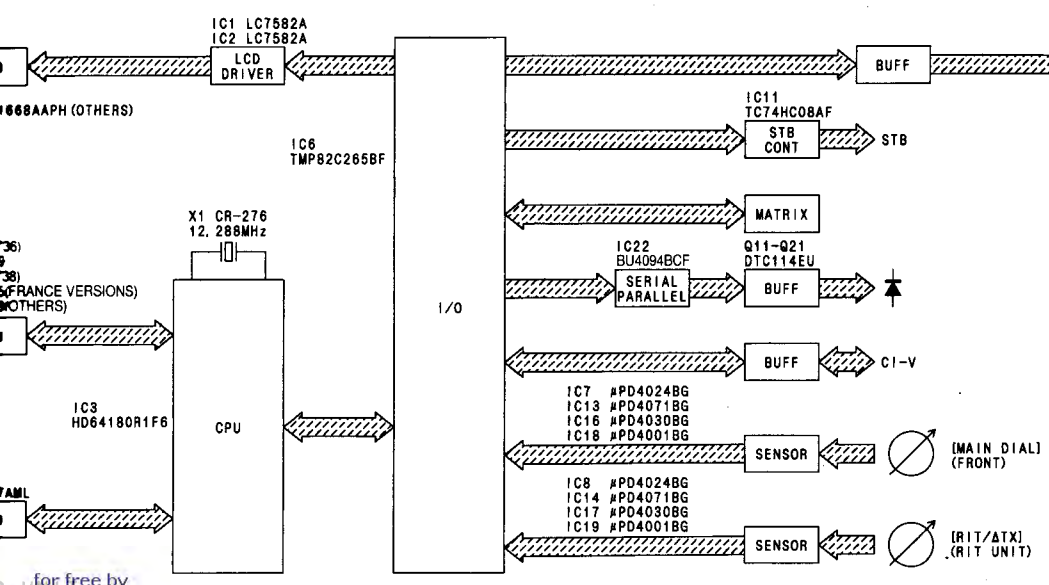
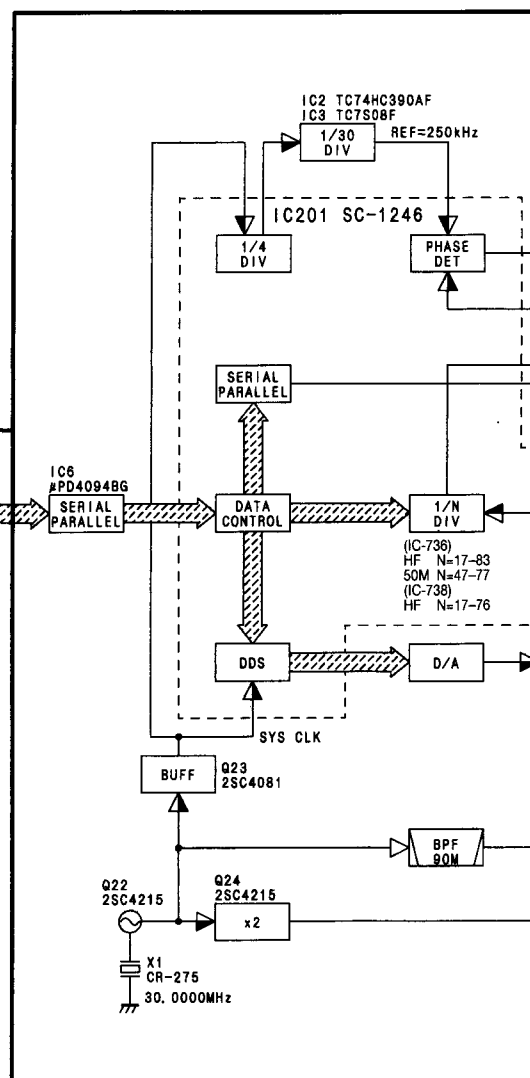
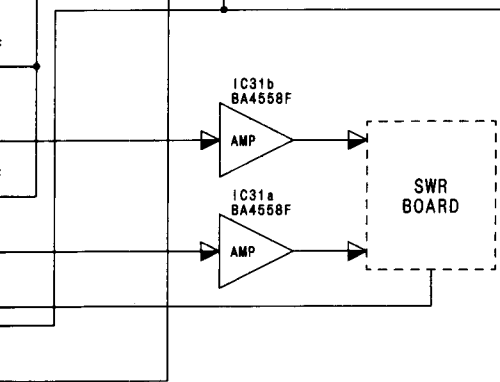
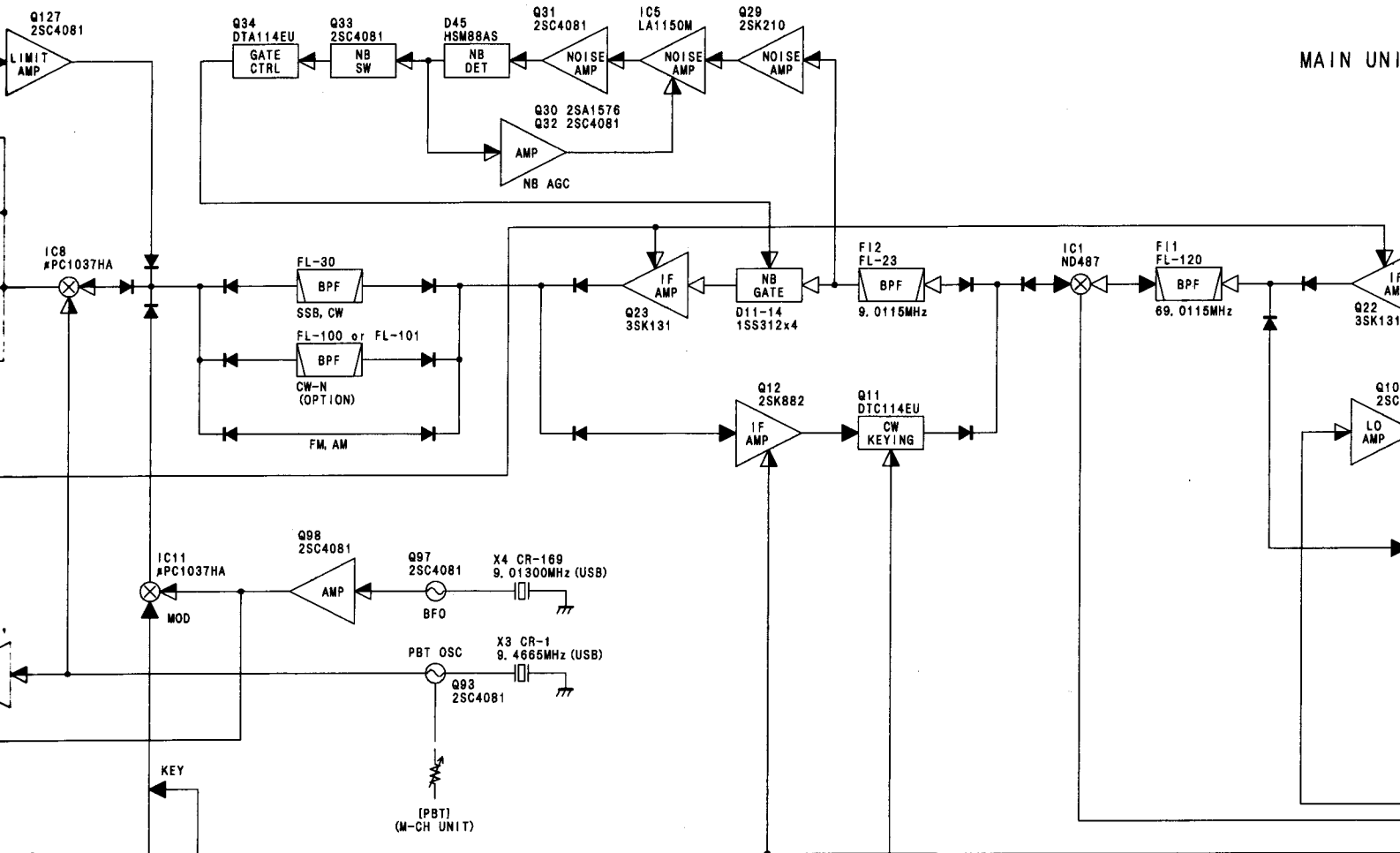


# SECTION 11 BLOCK DIAGRAM



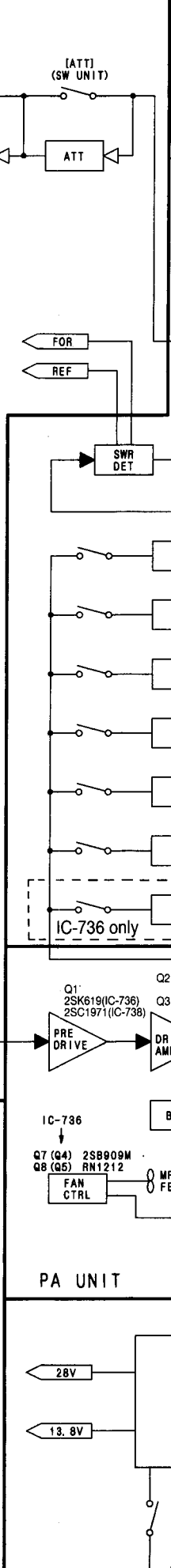
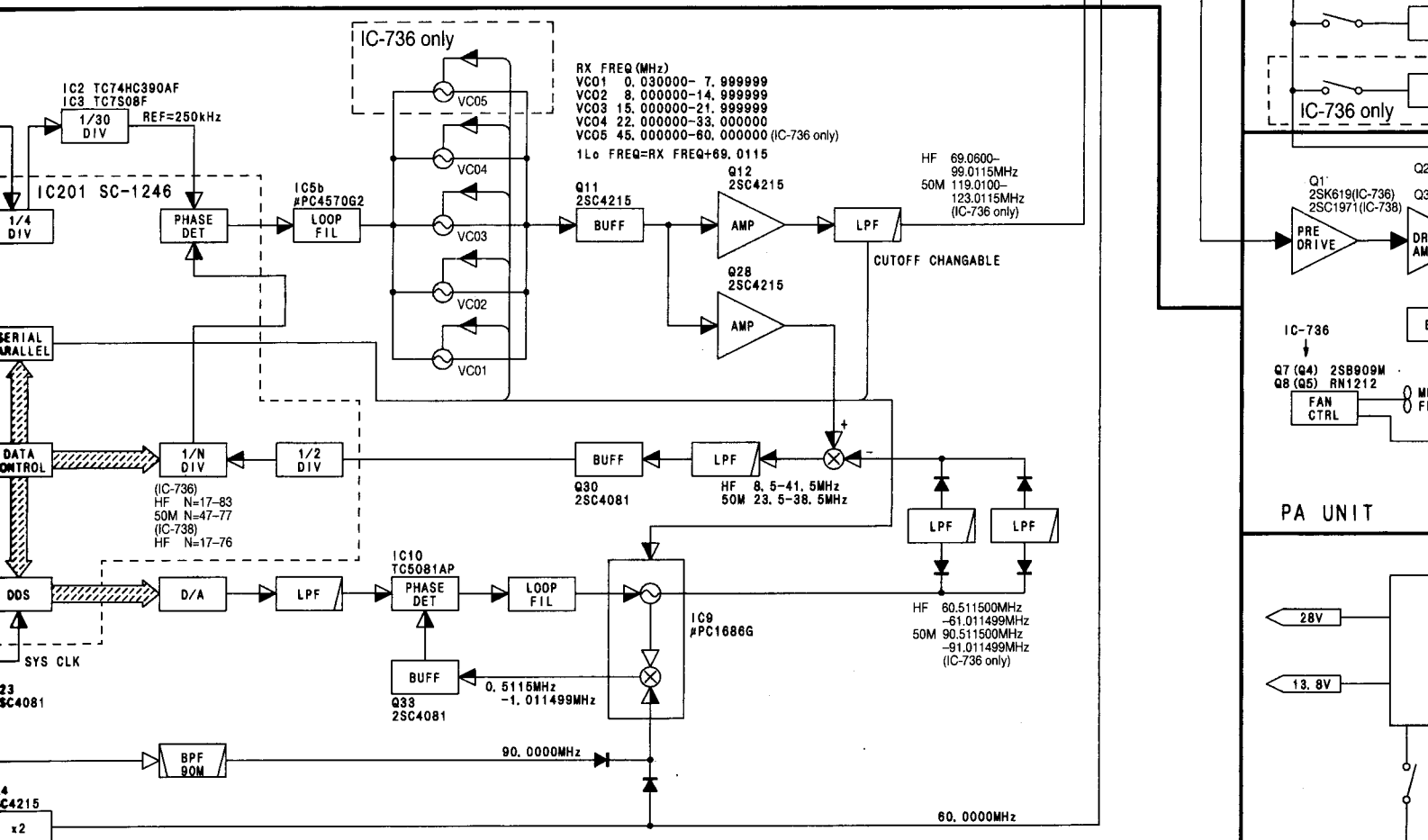
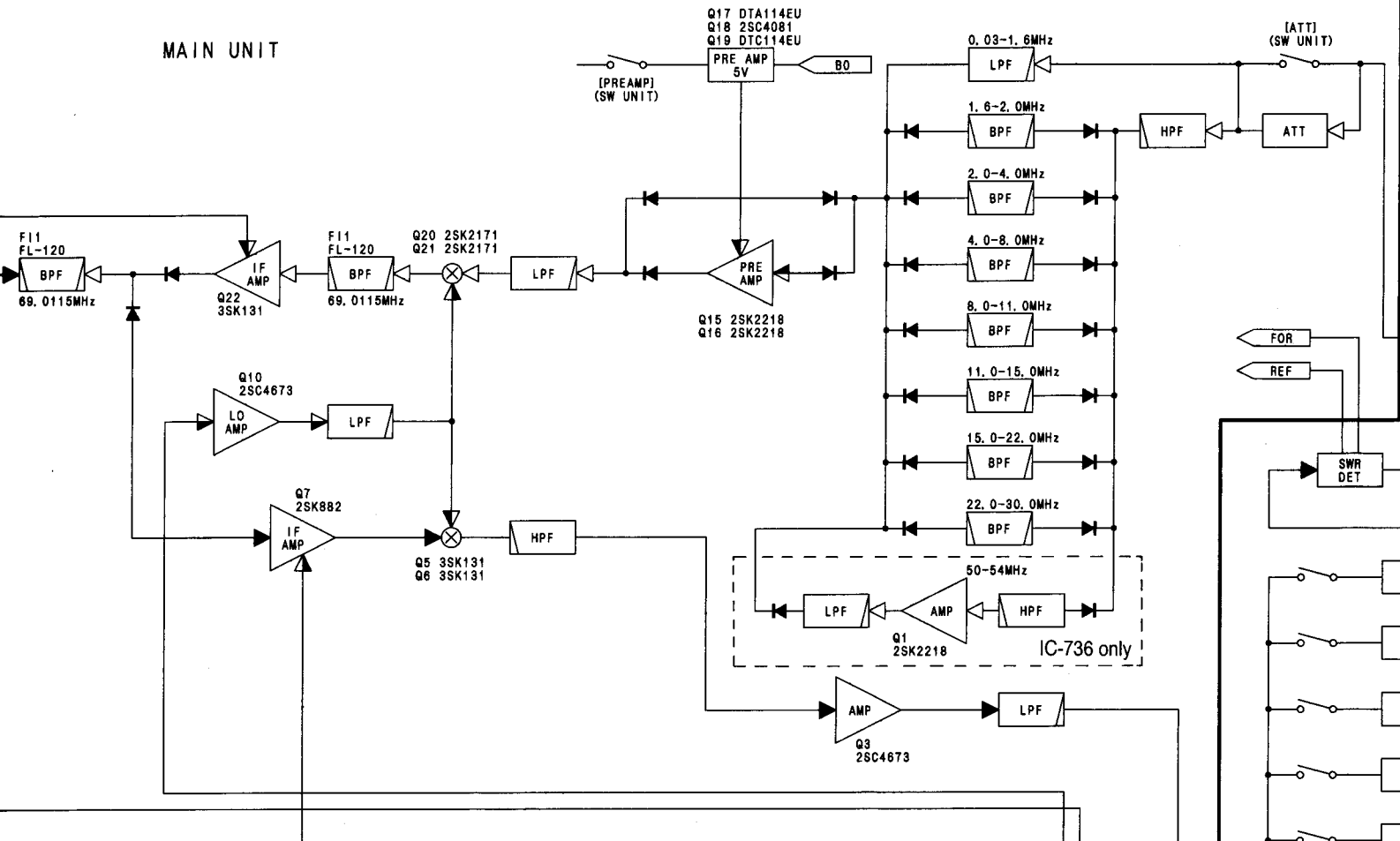




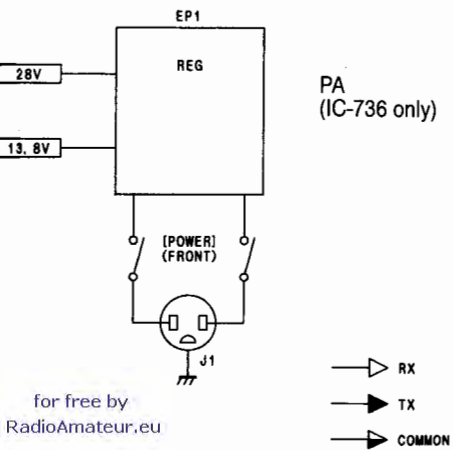
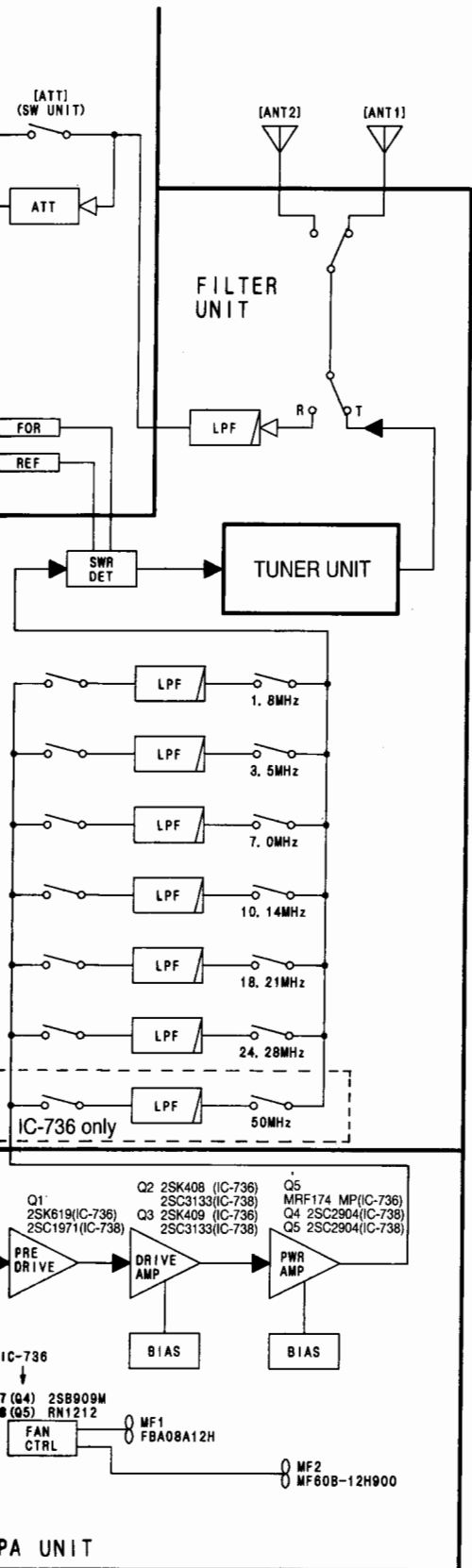




MAIN UNIT



PLL UNIT





## Icom Inc.

6-9-16, Kamihigashi, Hirano-ku, Osaka 547, Japan  
Phone: 06 793 5302  
Fax : 06 793 0013  
Telex : 05277822 ICOMTR J

### Icom America Inc.

<Corporate Headquarters>  
2380 116th Avenue N.E., Bellevue, WA 98004, U.S.A.  
Phone : (206) 454-8155  
Fax : (206) 454-1509  
Telex : 152210 ICOM AMER BVUE

<Customer Service>  
Phone : (206) 454-7619

<Regional Customer Service Center>  
18102 Sky Park South, Suite 52-B, Irvine, CA 92714, U.S.A.  
Phone : (714) 852-8026  
Fax : (714) 852-8716

### Icom Canada

A Division of Icom America Inc.  
3071 #5 Road, Unit 9, Richmond, B.C., V6X 2T4, Canada  
Phone : (604) 273-7400  
Fax : (604) 273-1900

### Icom (Europe) GmbH

Communication Equipment  
Himmelgeister Str. 100, D-40225 Düsseldorf, Germany  
Phone : 0211 346047  
Fax : 0211 333639

### Icom (Australia) Pty. Ltd.

A.C.N 006 092 575  
7 Duke Street, Windsor, Victoria, 3181, Australia  
Phone : 03 9529 7582  
Fax : 03 9529 8485

### Icom (UK) Ltd.

Unit 9, Sea St., Herne Bay, Kent, CT6 8LD, U.K.  
Phone : 0227 741741  
Fax : 0227 741742  
Telex : 965179 ICOM G

### Icom France Sa

Zac de la Plaine, Rue Brindejonc des Moulinais  
BP 5804, 31505 Toulouse Cedex, France  
Phone : 61. 36. 03. 03  
Fax : 61. 34. 05. 91  
Telex : 521515 ICOM FRA

**Count on us!**

**Downloaded by  
RadioAmateur.EU**