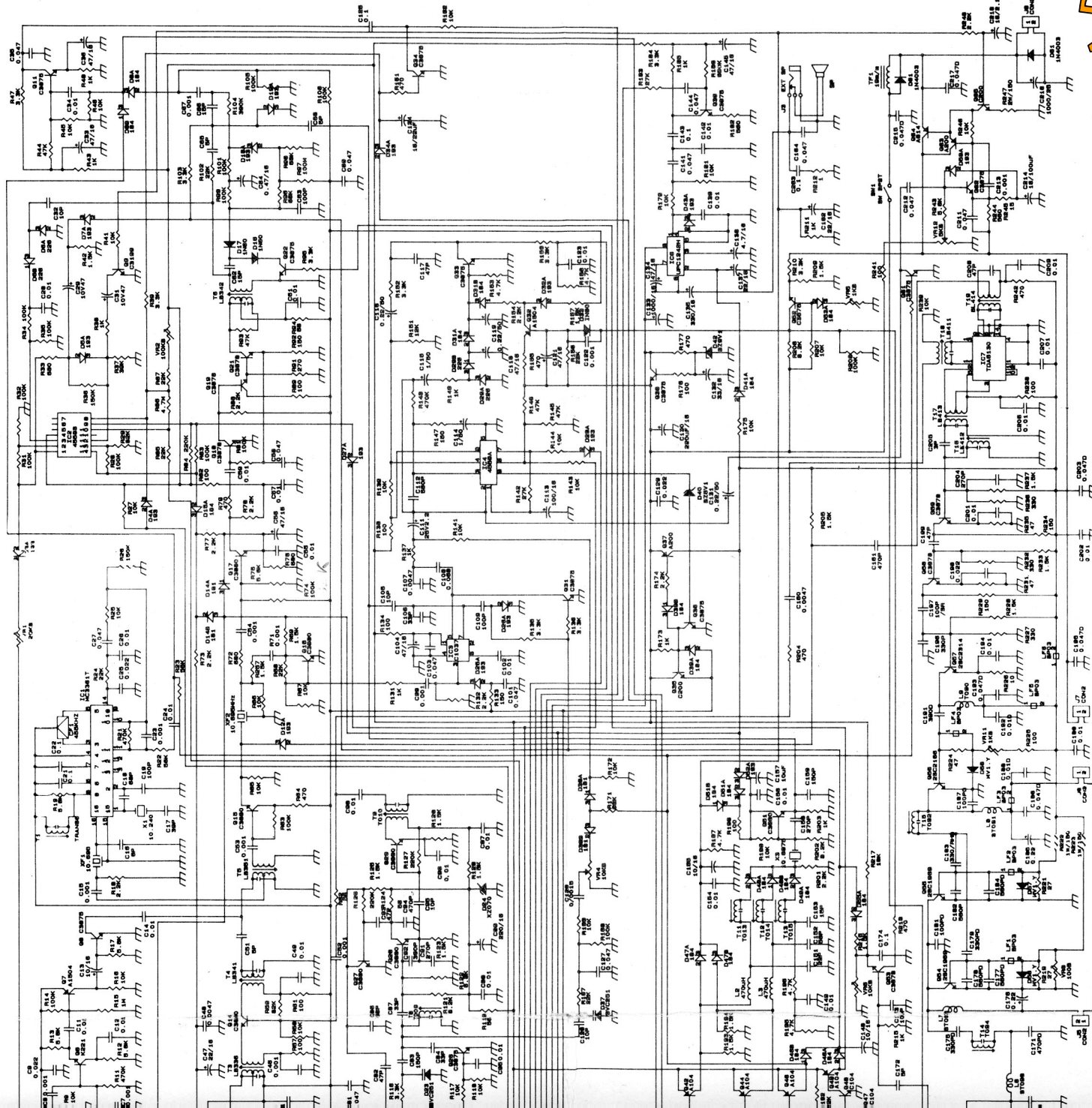
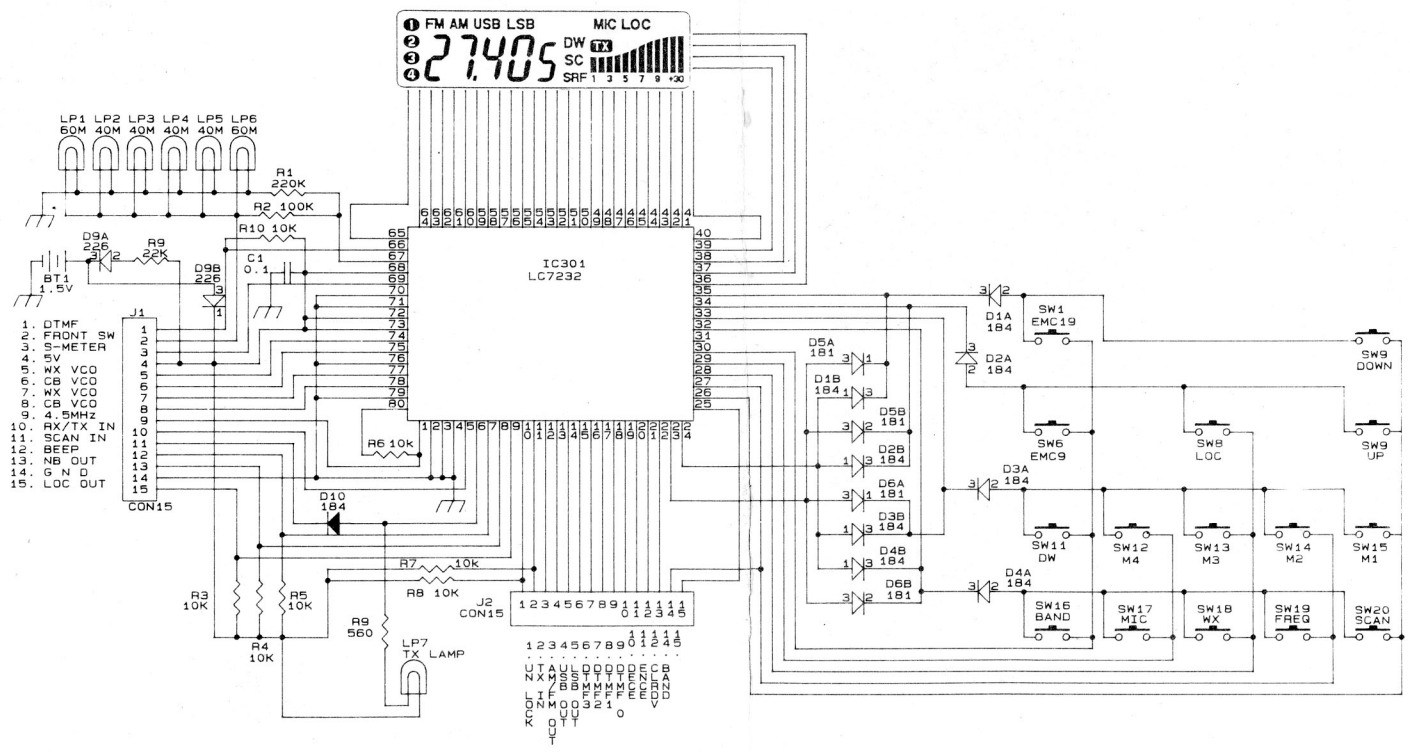
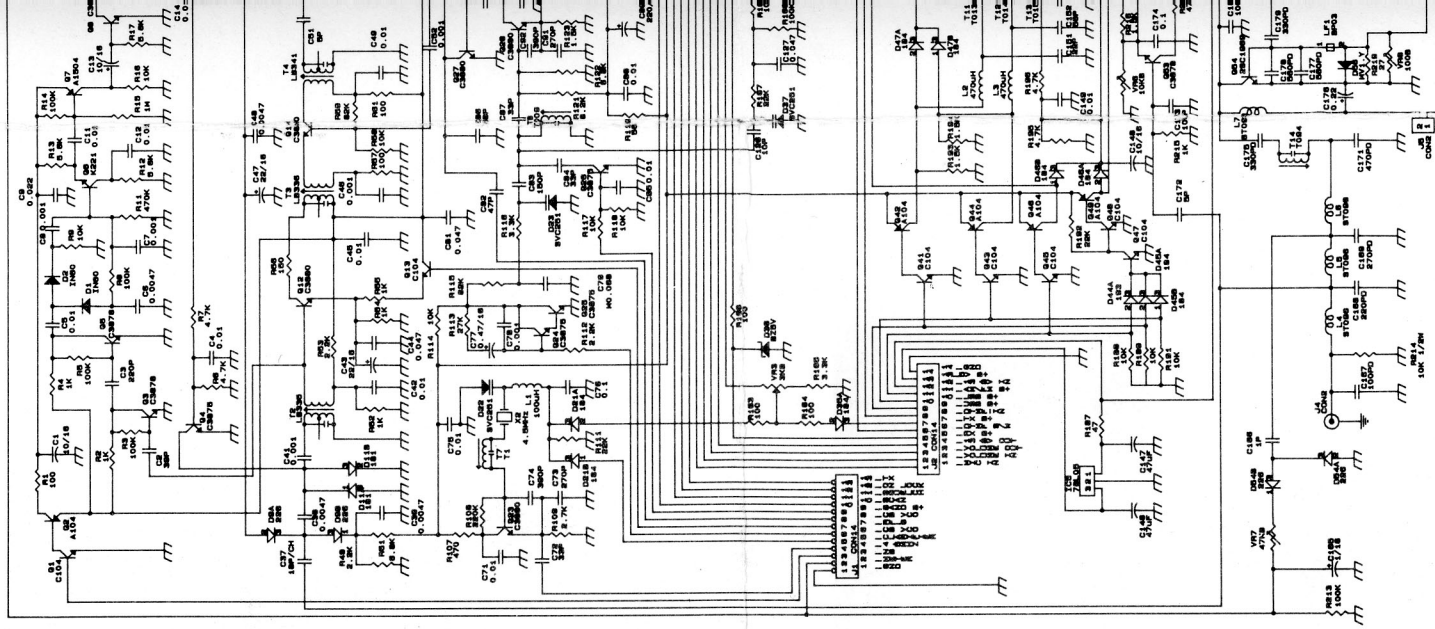


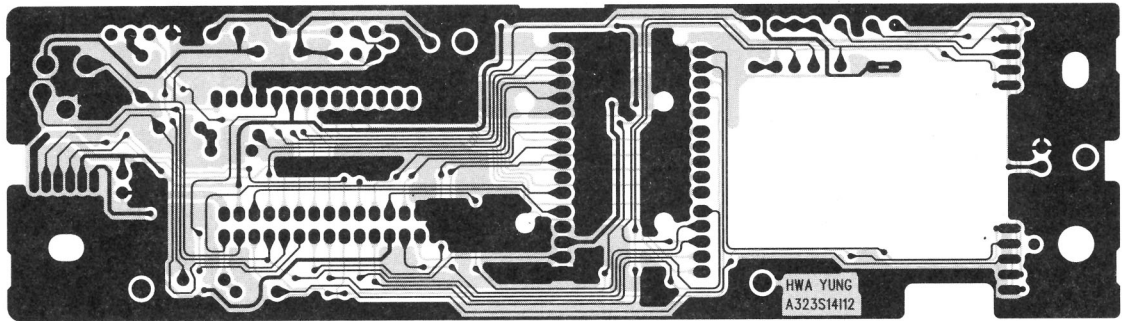
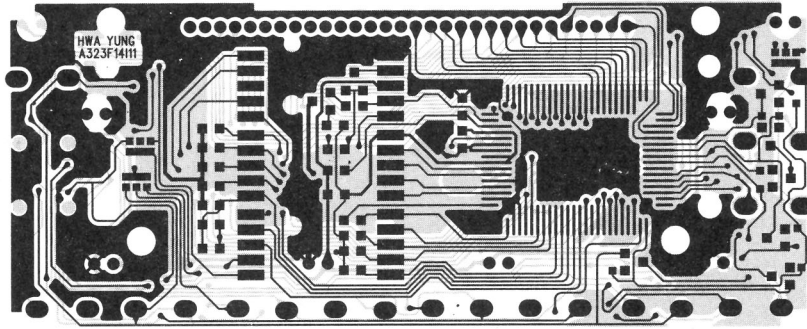
SCHEMATIC DIAGRAM

Downloaded from
www.cbradio.nl

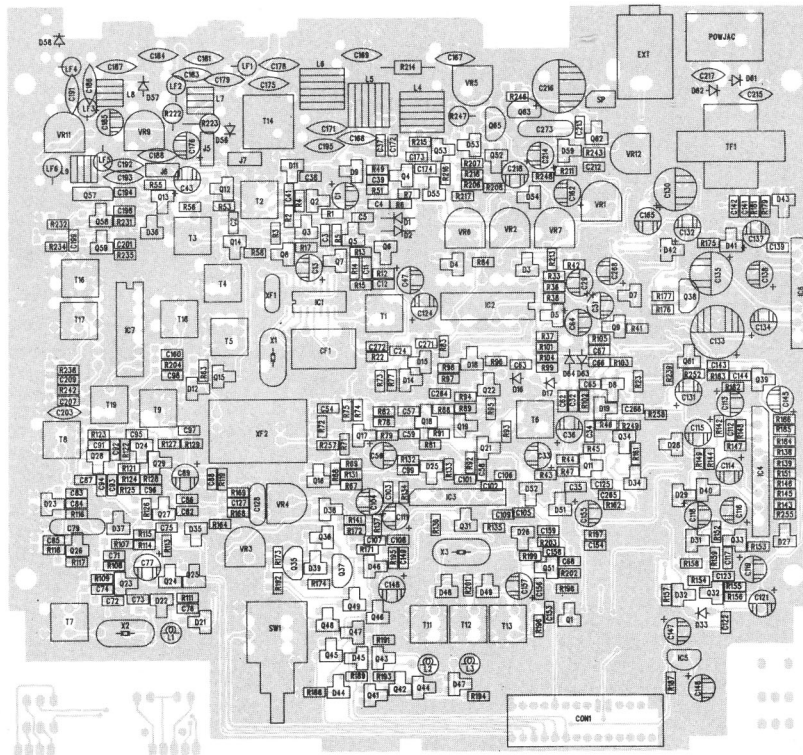




MAIN PCB



FRONT PCB



FUNCTIONAL BLOCK DIAGRAM

