

1

2

3

4

5

6

A

A

B

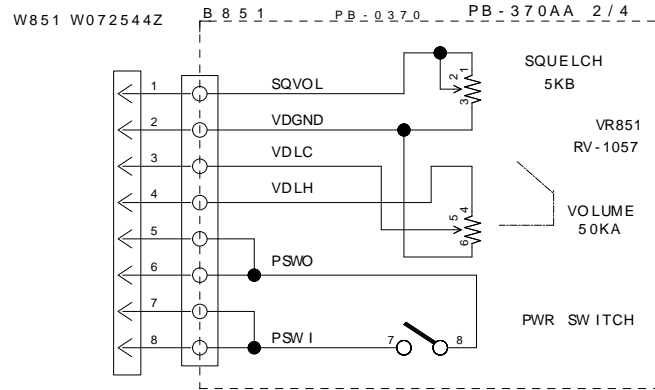
B

C

C

D

D



DESIGN BY	K.Hirobe	2013/8/30	UNIDEN-NO	UT562ZK	REVISION NO
CHECK1 BY	SAKUDA		MODEL-NO	IGRANT II	
CHECK2 BY	YAMAZAKI		TITLE VOLUME ASSY		
APPROVE BY	KUNIMITSU		SCHEMATIC DIAGRAM		
Uniden Corporation			DRAWING NO		

1

2

3

4

5

6