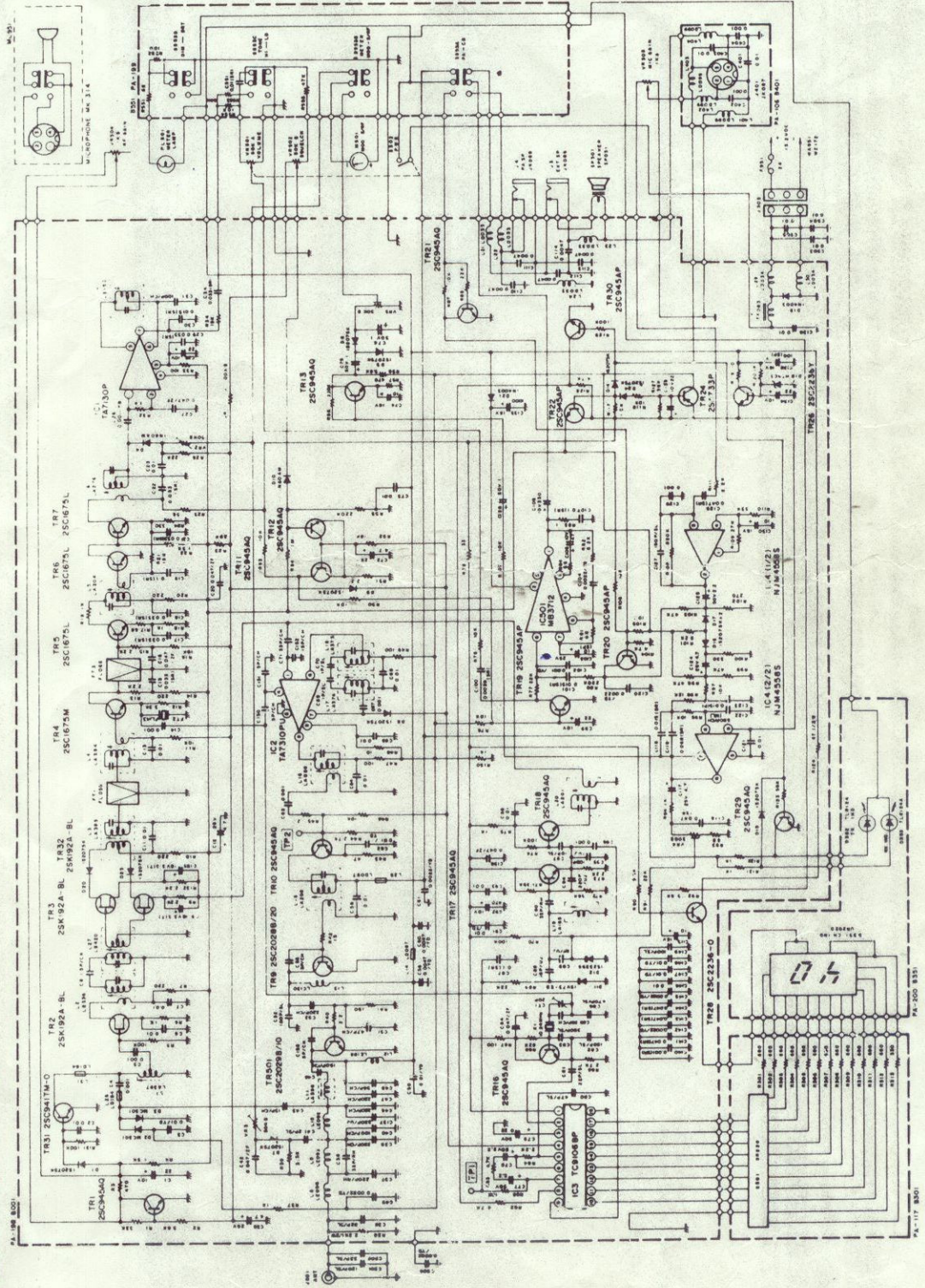


President PC 404

SCHEMATIC DIAGRAM



- VR 1 Squelch
- VR 2 RX-S-Meter
- VR 3 TX-S-Meter
- VR 4 FM-Hub
- VR 5 Mod-Meter