

MODIFICATION

President Lincoln and President HR2600

Change the frequency band from 28.000 - 29.699MHz to 26.000 - 27.699MHz.

Replace X-tal X302 with 20.000MHz X-tal.

When the display light 28.XXX MHz it vil be 26.XXX MHz.

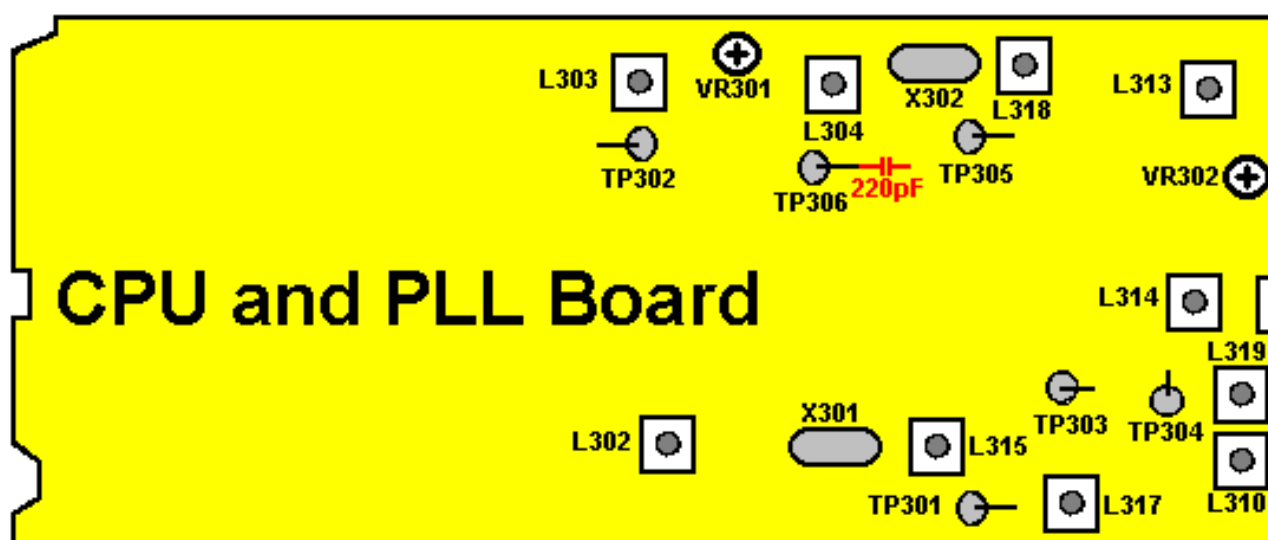
When the display light 29.XXX MHz it vil be 27.XXX MHz.

Change the frequency band from 28.000 - 29.699MHz to 24.000 - 26.699MHz.

Replace X-tal X302 with 18.000MHz X-tal.

When the display light 28.XXX MHz it vil be 24.XXX MHz.

When the display light 29.XXX MHz it vil be 26.XXX MHz.



BandPassFilter Adjustment

President Lincoln and HR2600 is adjust for 28.000MHz to 29.699MHz. To broad band your radio after mod or changing ChipSwitch, it's nessesarry to add a capacitor (220pF) across C26. (From right side of L307 (TP306) to ground.)

Adjustment	Description
L310	High Band Adjustment
L319	Low Band Adjustment
	Connect Oscilloscope to Output Terminal for VCO. Adjust L301 for maximum at High Band. Adjust L319 for maximum at Low Band.

Microphone Connection

Pin	Description
1	Microphone
2	Ground
3	TX Key (Connect to Ground)
4	Program Up (Connect to Ground)
5	Program Down (Connect to Ground)

Accessory Connector

