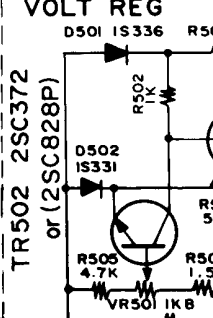
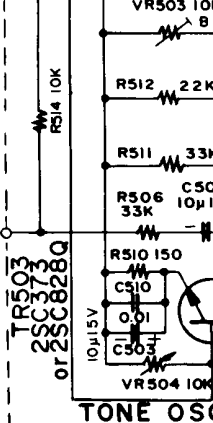


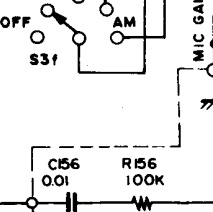
**VOLT REG**



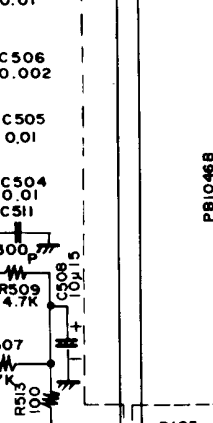
**DRIV and PA**



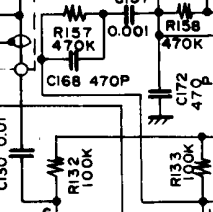
**TONE OSC**



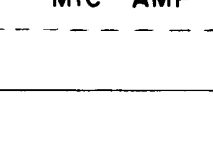
**CARRIER OSC**



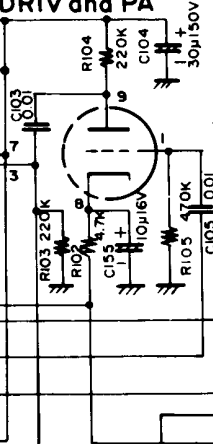
**AGC**



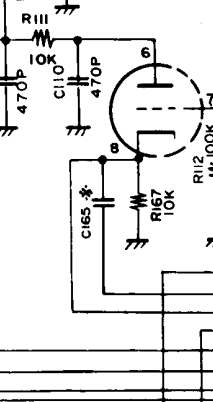
**MIC AMP**



**6BM8**

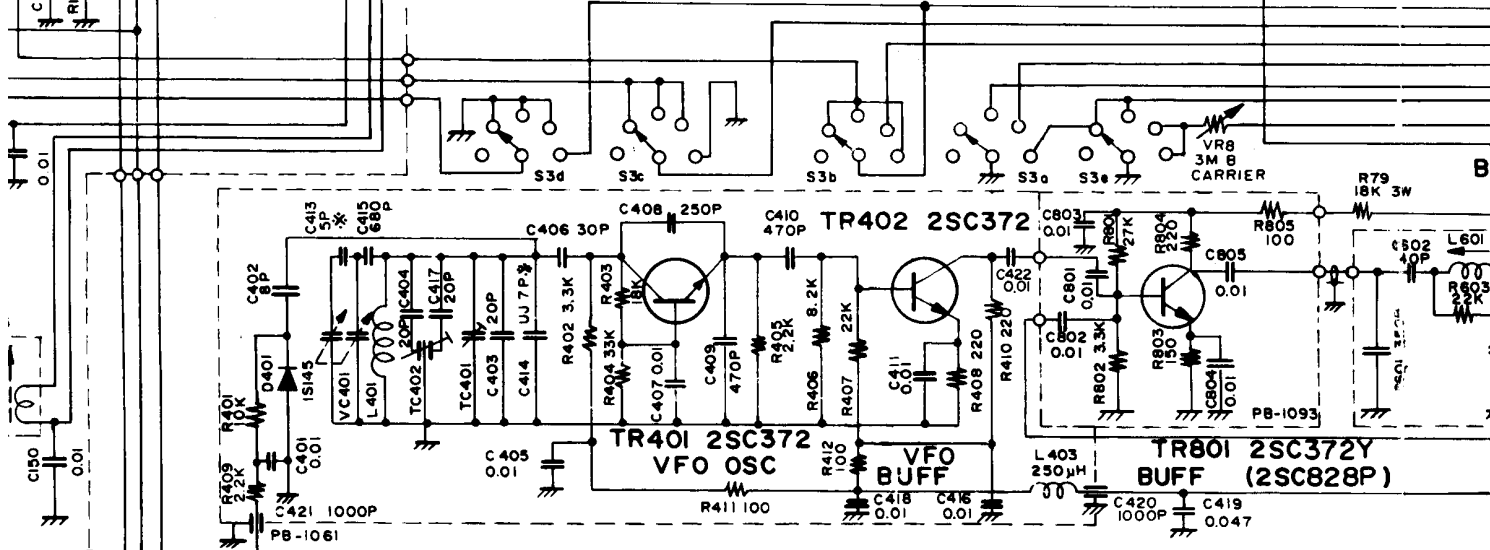
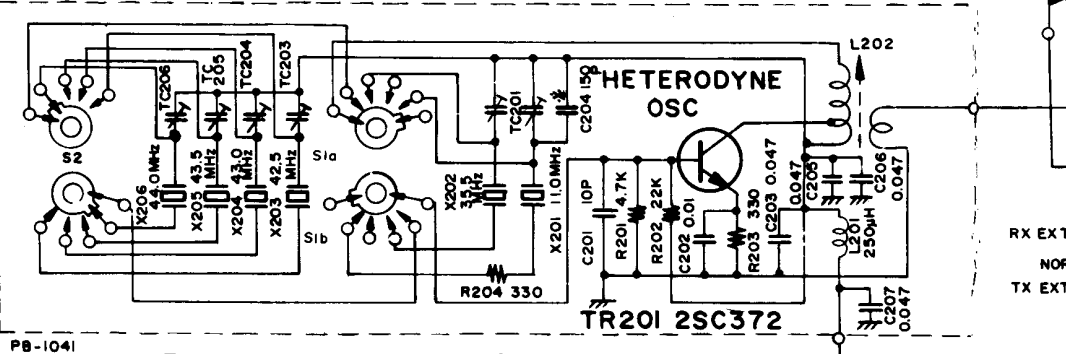
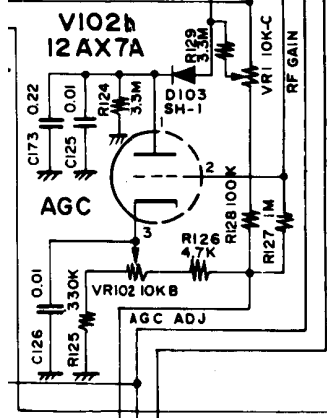
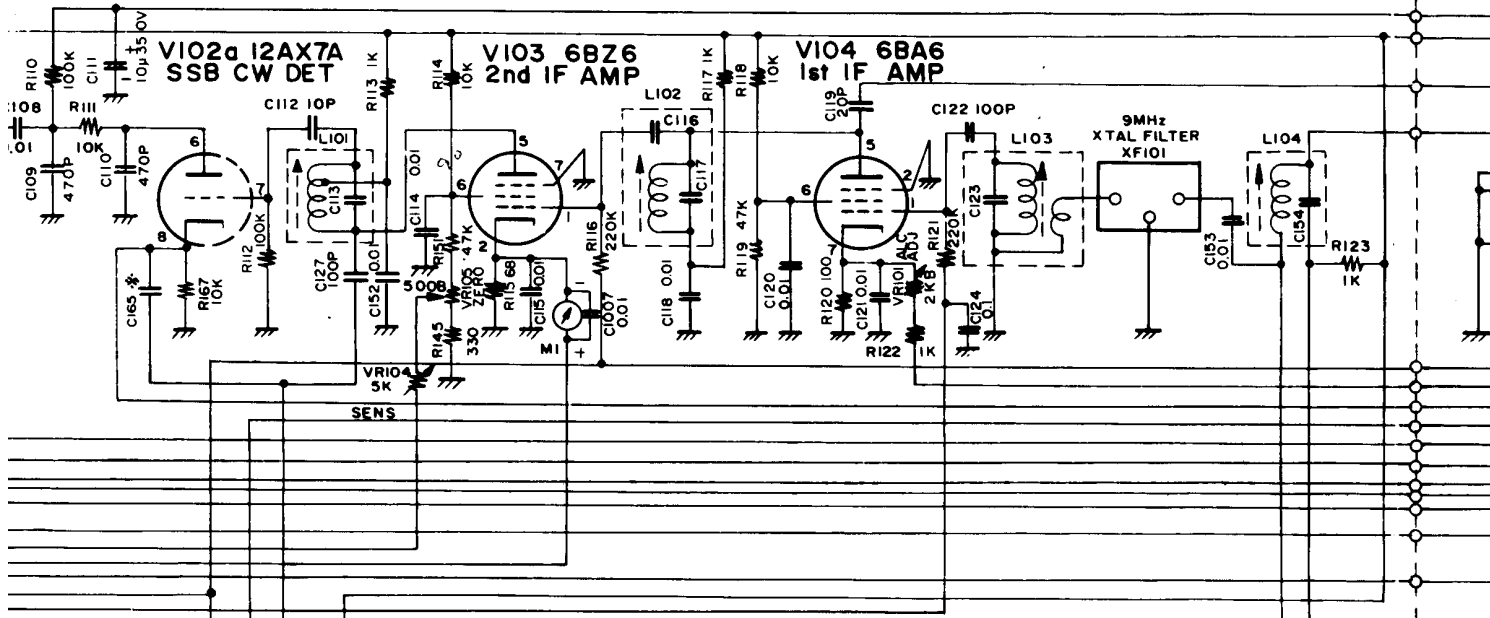


**12AX7A**



**7360 BM**





RX EXT  
NOR  
TX EXT

VI 6U8 REC MIX

V8

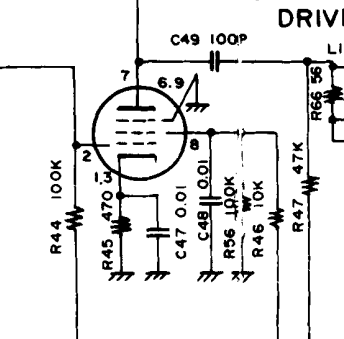
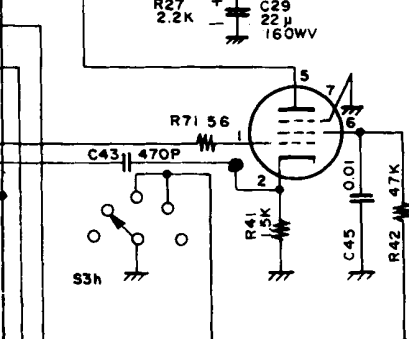
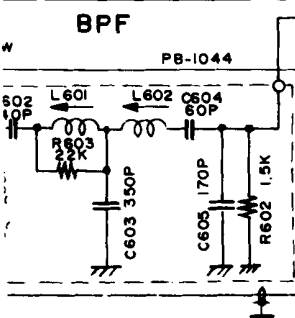
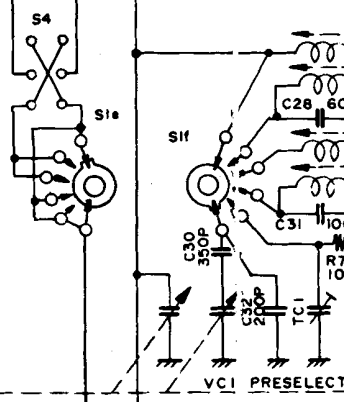
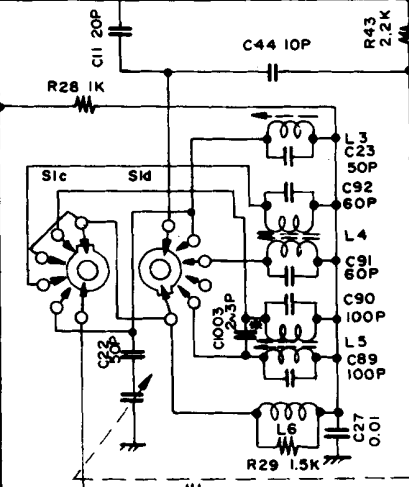
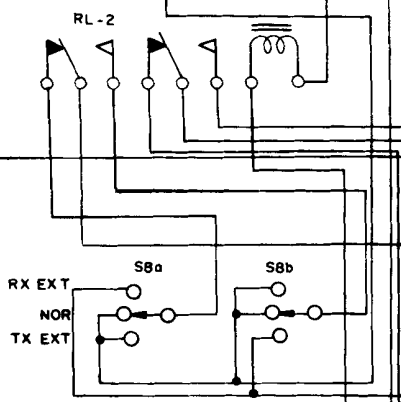
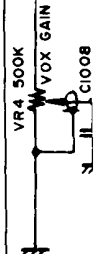
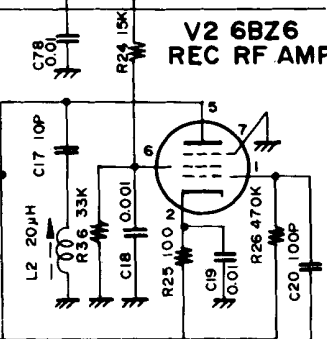
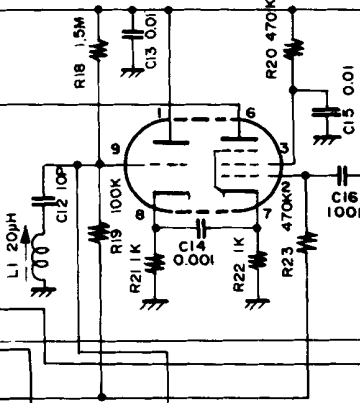
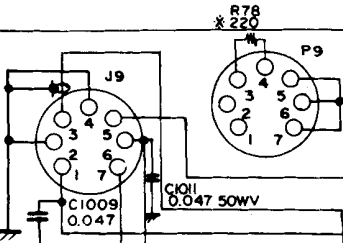
V2 6BZ6 REC RF AMP

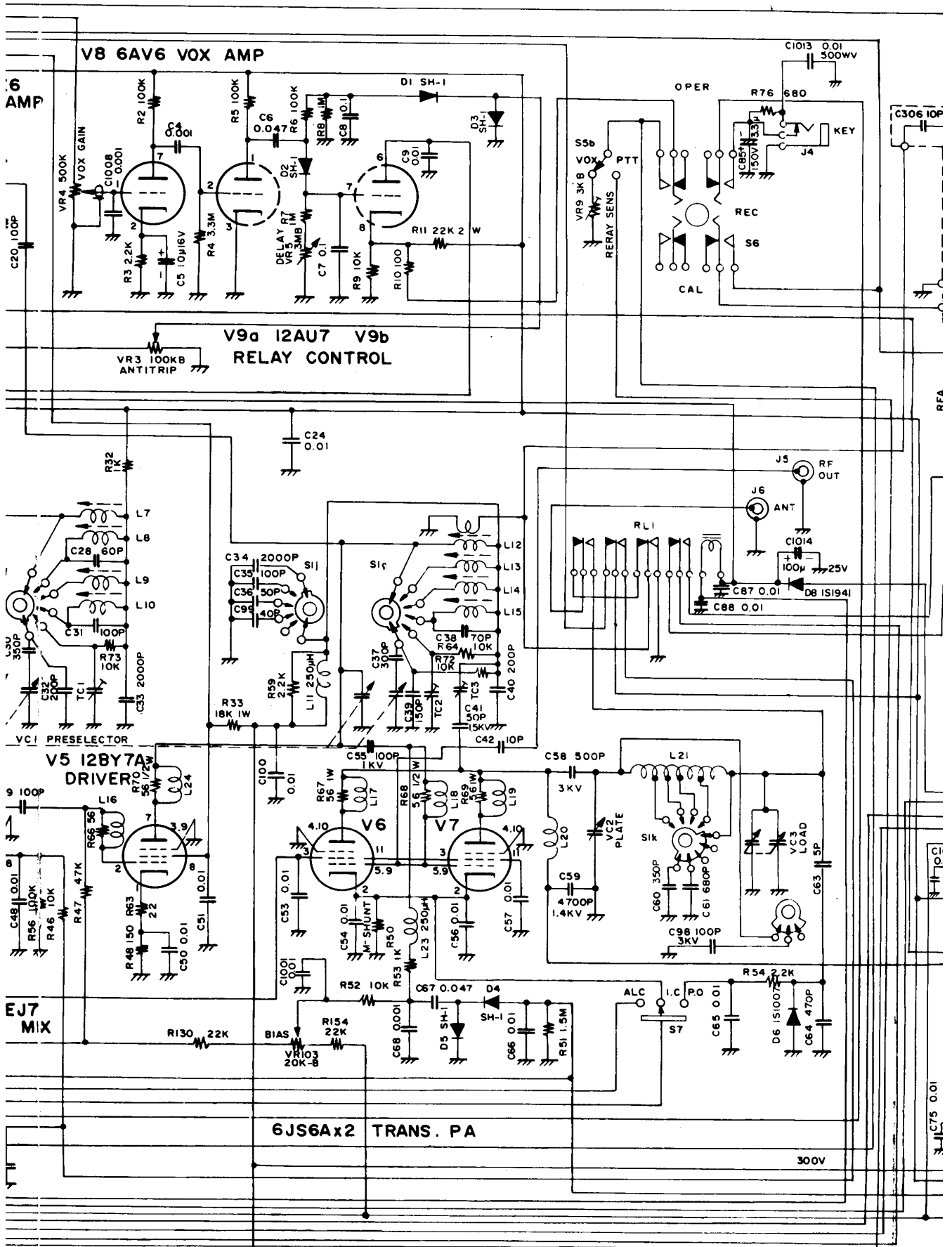
VR4 500K VOX GAIN

V5 12B DRIVE

V3 6CB6 PRE. MIX

V4 6EJ7 TRANS MIX

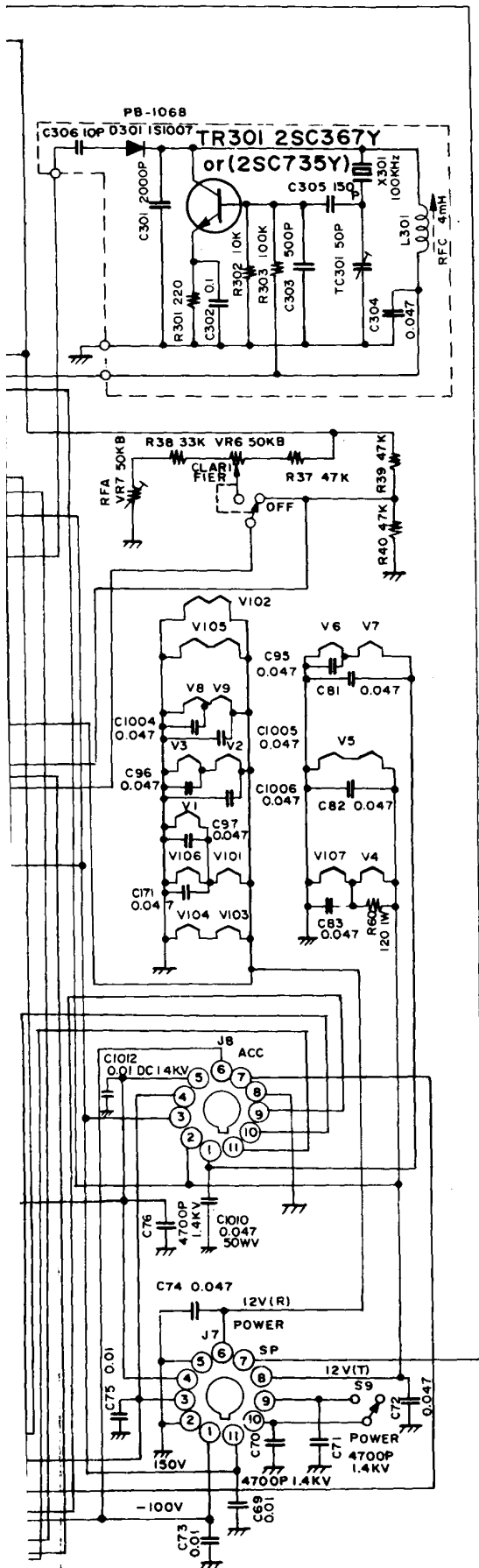




D1 ~ D5  
 D101 ~ D103 } SH-1 or 1S1941  
 D106

- NOTES:
1. ALL RESISTORS IN OHM 1/2W ± 10% UNLESS OTHERWISE NOTED.
  2. ALL CAPACITORS IN μF





**TEMPO one**